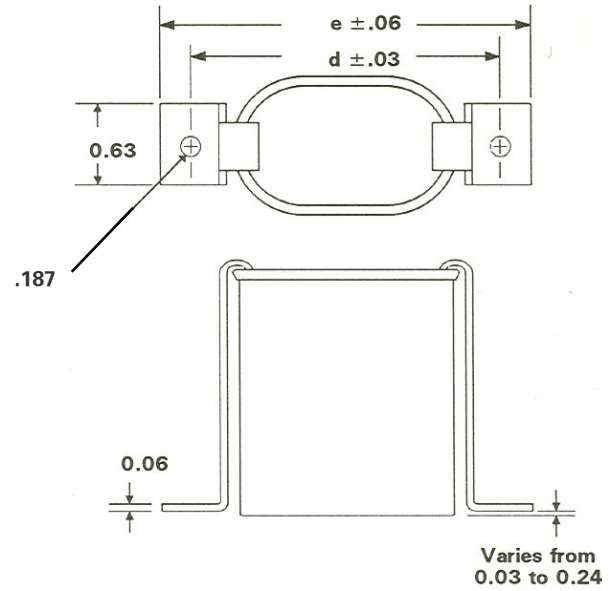


FOOTED BRACKETS

Case Height	Bracket Part Number	Case Style	d	e
		A	2.56	3.00
2.12	302C920P210	B	3.13	3.56
2.88	302C920P113	C	3.38	3.81
3.88	302C920P115	D	4.13	4.56
4.75	302C920P116			
5.75	302C920P209	P	2.33	2.76
		S	2.57	3.00
		T	3.07	3.50



PROTECTIVE BOOT

Boot Part Number	Temperature Rating
614A527P21	60 °C
178A3744P21	105 °C

PROTECTIVE CAP

Cap Part Number:	115A1552P23
------------------	-------------

