



Digalox® EX-USB

Instruction manual (Rev-2024-07)

USB interface for Digalox® DPM72-AV2 and DPM36

Package contents: USB interface PCB Digalox® EX-USB,
Instruction manual (DE + EN)

1. Safety instructions

- Read instruction manual carefully before operating the device! Keep for later reference.
- Mounting and installation must be carried out by suitably qualified and competent persons only.
- **WARNING: When working on the device hazardous voltages must not be connected to the device!**
- **DANGER: When the USB port is connected, only voltages lower than 50 V may be applied to the measurement inputs. The USB port is not isolated from the measurement circuit.**

2. Intended use

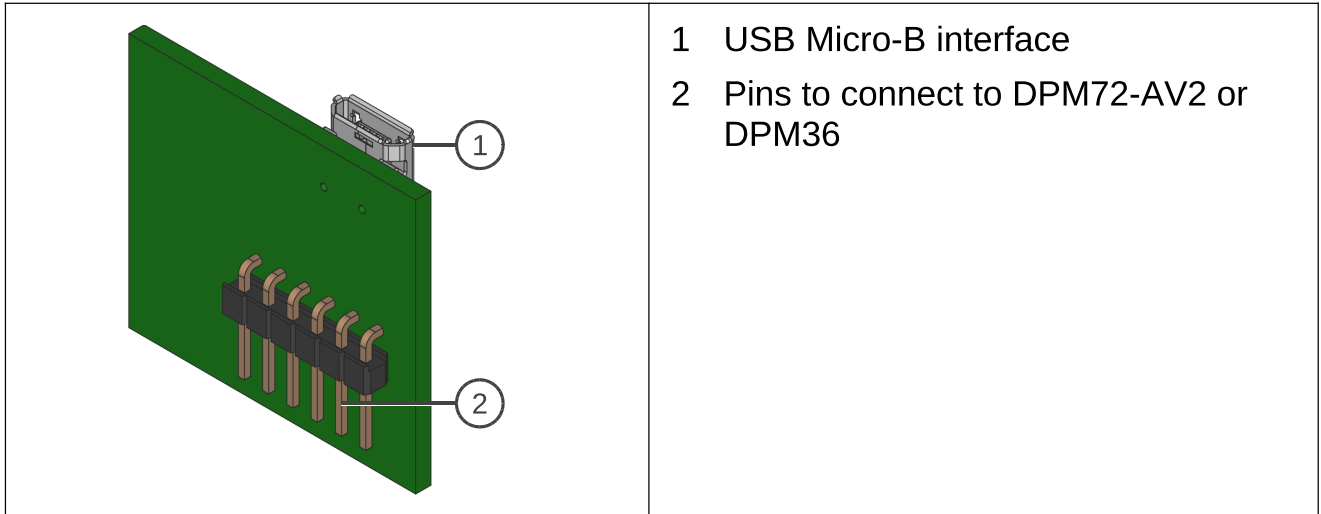
- Configuration of Digalox® DPM72-AV2 or DPM36
- Indoor use non condensing, non corrosive.
- Failure to comply with these instructions will void all guarantee and warranty.

3. Description

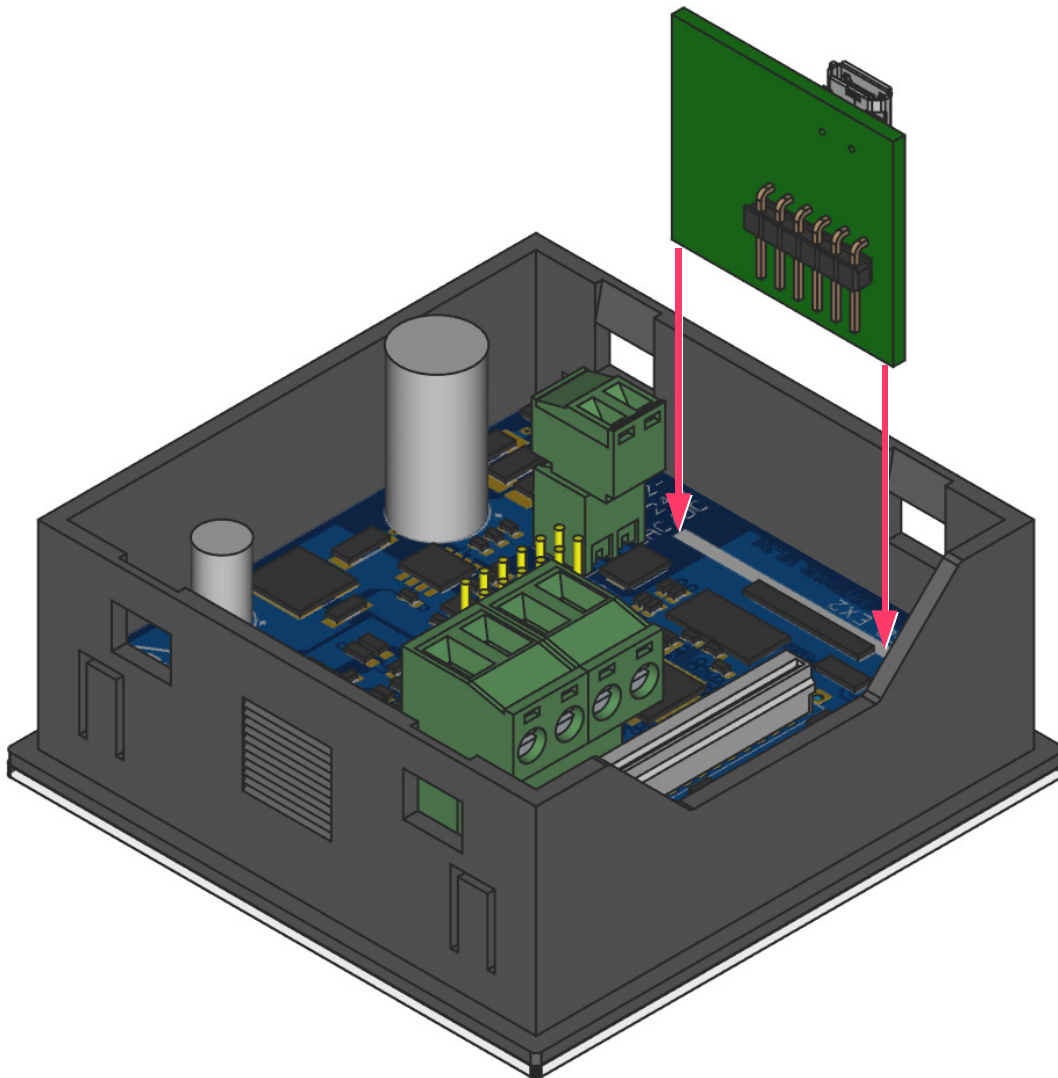
The USB interface is used to connect a Digalox® DPM72-AV2 or DPM36 to a PC. Using the corresponding configuration software, the device can be configured.

In the “Downloads” area of www.digalox.com you can find the latest version of the instruction manual and the configuration software.

4. Product overview

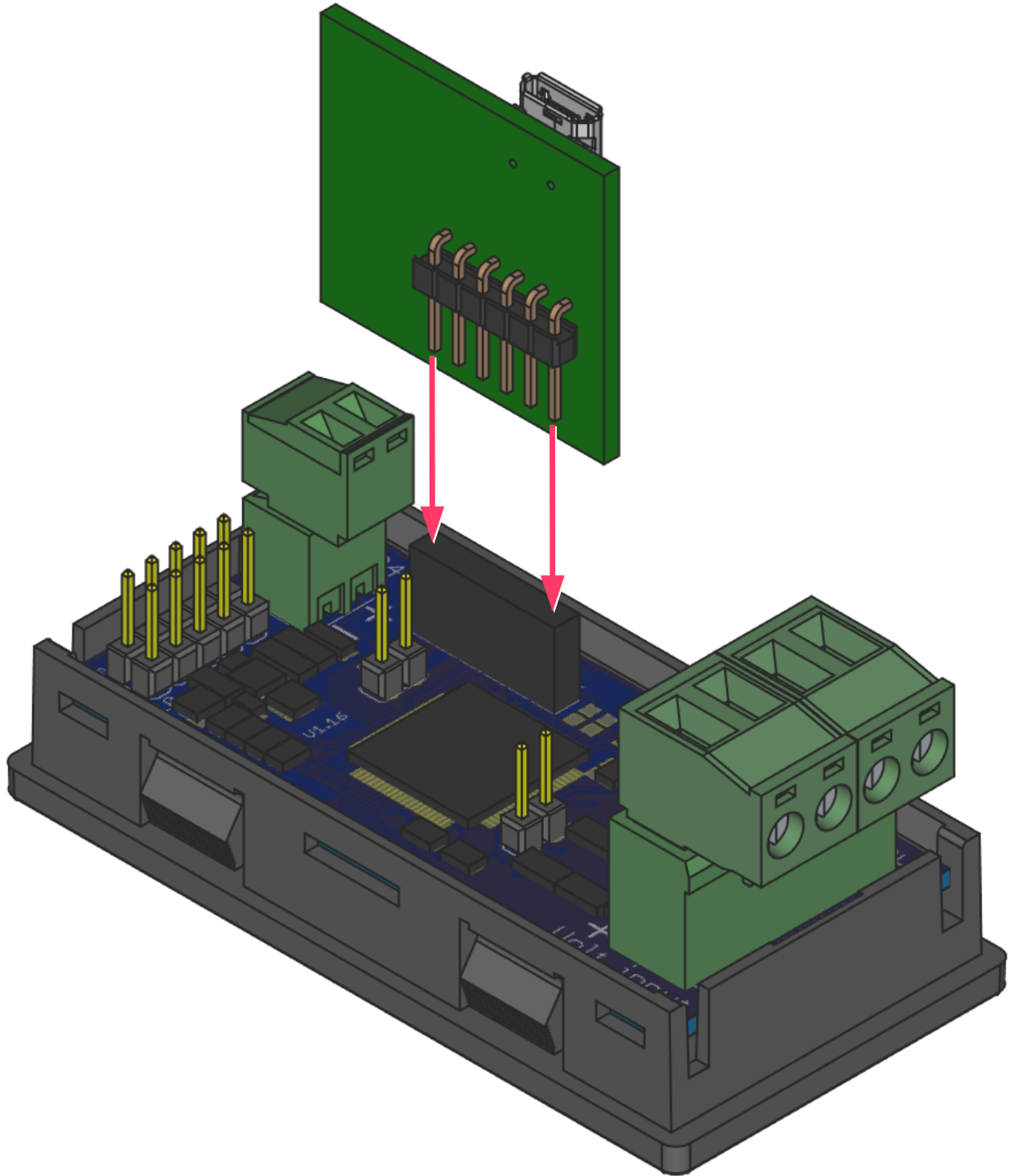


5. Mounting onto DPM72-AV2



Plug the USB interface card into the position marked “USB EX2” on the circuit board of the Digalox® DPM72-AV2. Make sure that all pins of the card are plugged into the socket. A USB cable with a USB Micro-B plug is required to connect to the PC.

6. Mounting onto DPM36

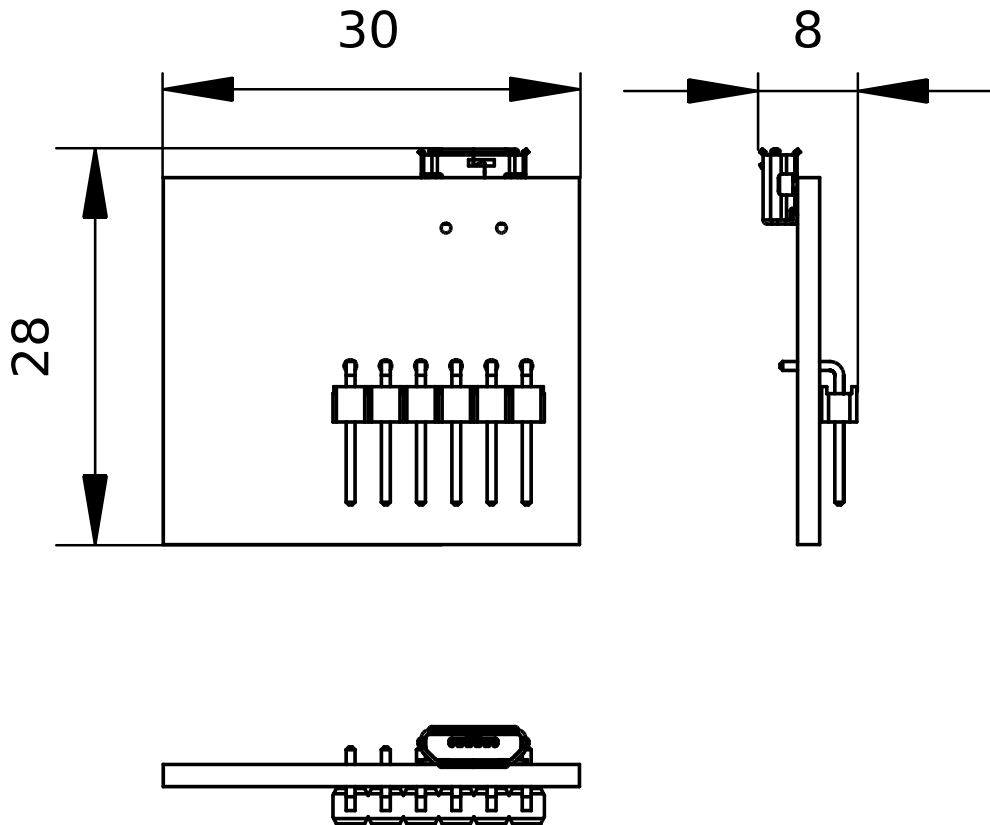


Plug the USB interface card onto the circuit board of the Digalox® DPM36 at the position shown in the diagram. Make sure that all pins of the card are plugged into the socket. A USB cable with a USB Micro-B plug is required to connect to the PC.

7. Specification

Supply	5 V
Power consumption AV2	Max. 1.2 W
Power consumption DPM36	Max. 0.6 W
Connection (USB)	USB-Micro-B
Operating temperature	0 °C to +50 °C
Storage temperature	-20 °C to +70 °C
Operating altitude	0 to 2000 m above sea level
IP code	IP00
Dimensions	28 mm × 30 mm × 8 mm
Net weight	4 g

8. Dimensions [mm]



9. Contact information

TDE Instruments GmbH, Gewerbestraße 8, D-71144 Steinenbronn

Phone: +49 7157 20801, Technical support: +49 351 84127746

E-mail: info@tde-instruments.de

Internet: www.tde-instruments.de, www.digalox.com