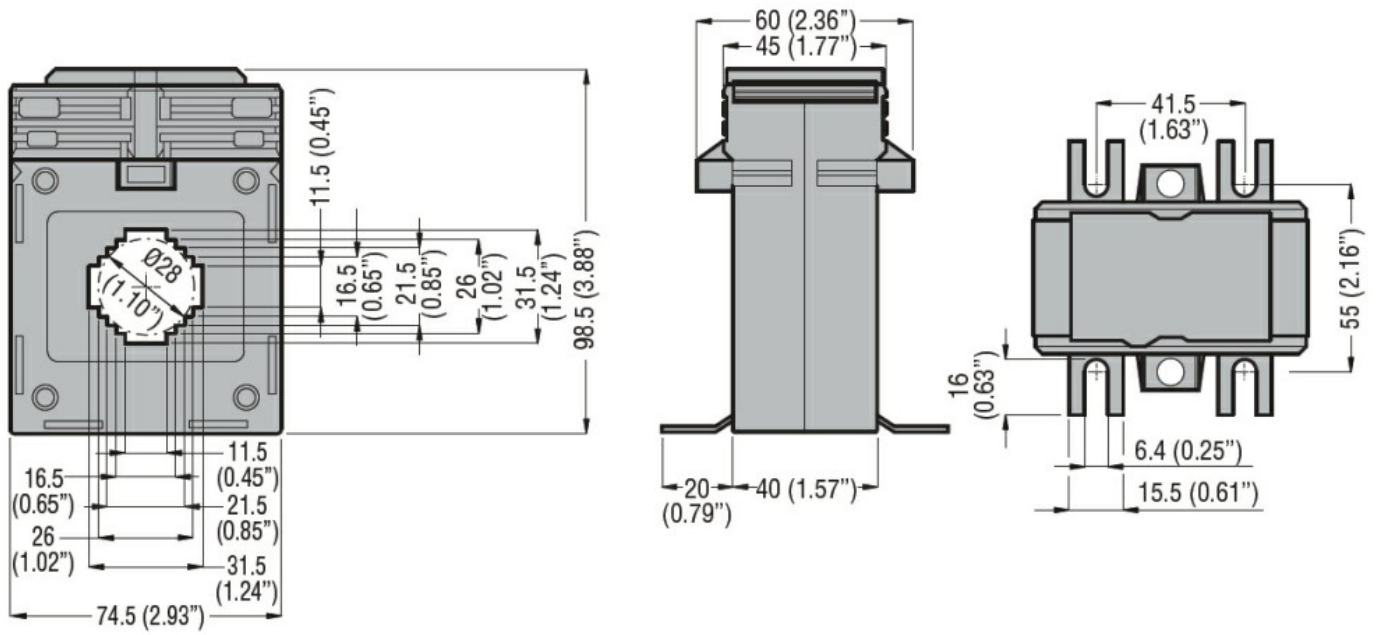




Current inputs			
Primary current I <sub>pn</sub> (/5)		A	250
Operational frequency			
	min	Hz	50
	max	Hz	60
Secondary output current		A	5
Overload withstand I <sub>pn</sub>		%	120
Burden			
	cl. 0.5s	VA	2.5
	cl. 0.5	VA	5
Insulations			
Rated insulation voltage U <sub>i</sub> IEC/EN		V	720
IEC rated short-time thermal current I <sub>th</sub>		I <sub>th</sub> for s	40...60
IEC rated dynamic current I <sub>dyn</sub>		I <sub>th</sub> for s	2.5
Insulation dry type			Class E
Mechanical features			
Terminals type			Screw
Fixing			DIN rail or by Screw
Weight		g	480
Ambient conditions			
Temperature			
	Operating temperature		
		min °C	-25
		max °C	+50
	Storage temperature		
		min °C	-40
		max °C	+80
Relative humidity		%	90
Protection degree			IP30
Dimensions			



### Certifications and compliance

#### Certifications

IEC/EN/BS 61869-1

IEC/EN/BS 61869-2

#### Compliance

EAC

### ETIM classification

EC000066 - Power contactor, AC switching