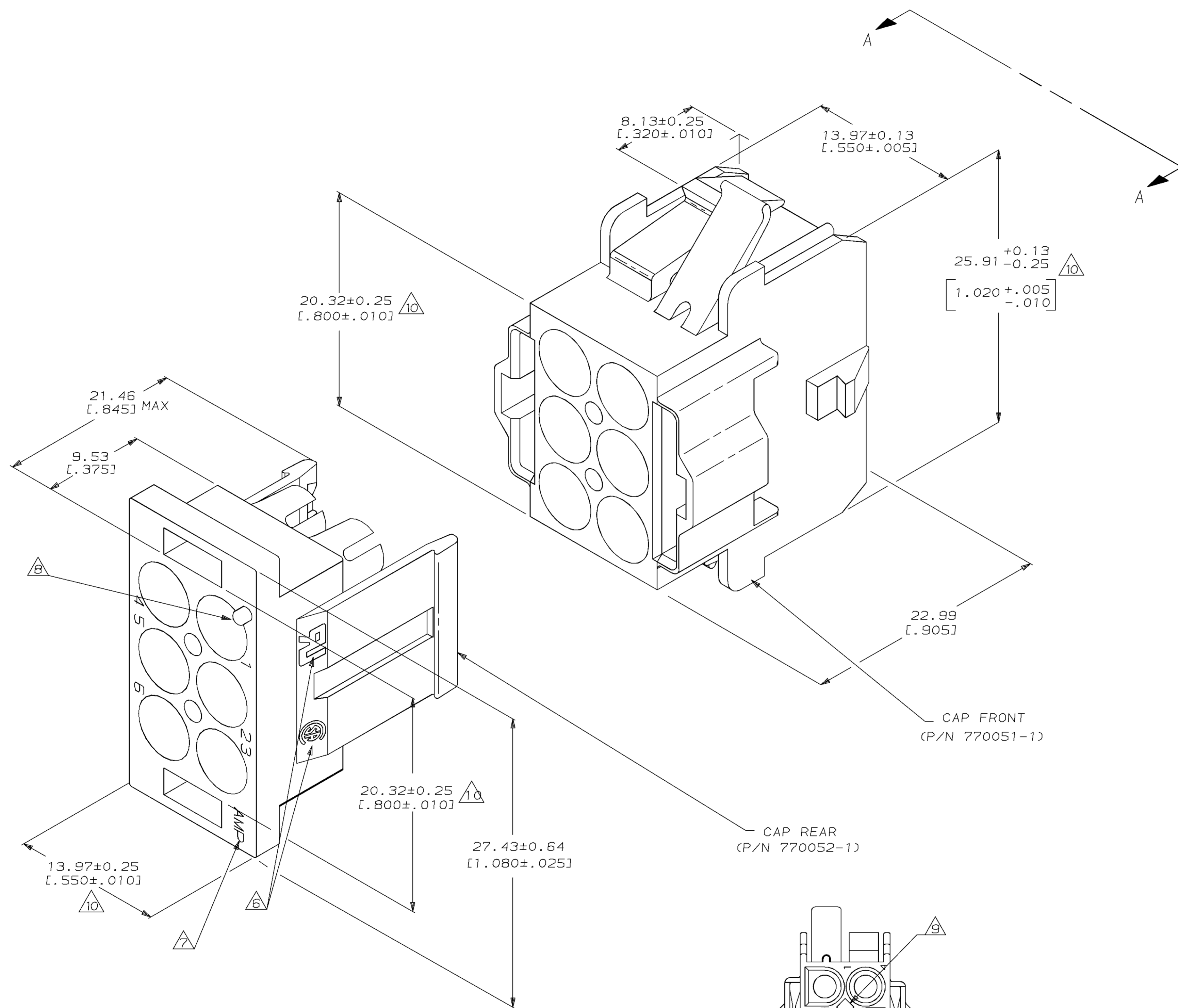
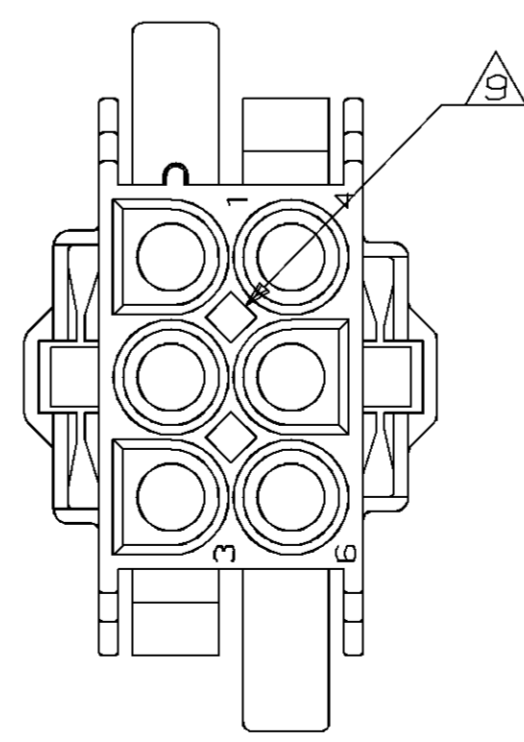
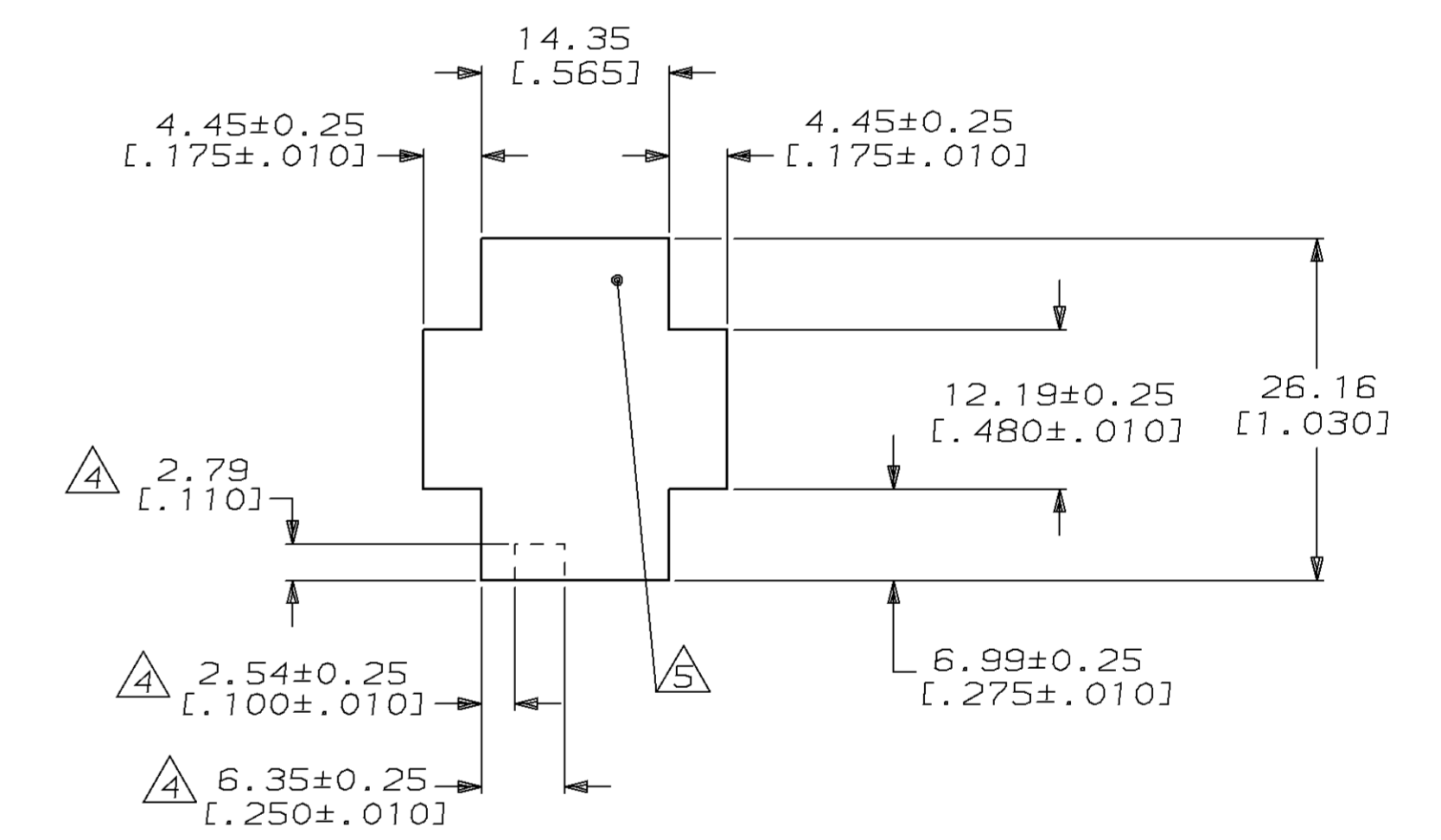


LOC		DIST		P		F		ZONE		LTR		REVISIONS			
CM	53											DESCRIPTION	DATE	APPD	
												G	REV PER EC 0730-0211-95	2-28-96	RV



1. BULK PACKAGED, UNASSEMBLED.
2. RECOMMENDED PANEL THICKNESS 0.76-2.29 [.030-.090].
3. PANEL MUST BE PUNCHED SO THAT THE HOUSING ENTERS THE PANEL IN THE SAME DIRECTION AS THE PUNCH.
4. OPTIONAL FOR KEYING HOUSING IN PANEL.
5. CIRCUIT NO. 1 LOCATON.
6. APPROVAL AGENCY LOGO LOCATED APPROXIMATELY AS SHOWN.
7. AMP LOGO LOCATED THIS SURFACE.
8. CIRCUIT NUMBER ONE IDENTIFICATION BUTTON AND CIRCUIT IDENTIFICATION NUMBERS ARE EACH LOCATED ADJACENT TO THE APPROPRIATE CIRCUIT CAVITIES.
9. OPTIONAL CONSTRUCTION PROVIDES ROUND MATERIAL REDUCTION CORING HOLES.
10. DIMENSION INDICATED IS AS MOLDED. ADDITIONAL GROWTH DUE TO SUBSEQUENT MOISTURE ABSORPTION MAY OCCUR.



METRIC

770027-1
 PART NUMBER

DO NOT SCALE PRINT. UNLESS SPECIFIED DIMENSIONS IN INCHES TOLERANCES ON:		DR 1-22-92 K. SALMON		PART NO	
1	PLC DEC ± 0.13 [.005]	CHK 1-22-92 R. SWING	AMP INCORPORATED Harrisburg, Pa. 17105		
2	ANGLES ±	APPD 1-22-92 M. TRULL	NAME		
MATERIAL		APPD 1-22-92 M. TRULL	CAP HOUSING KIT, 6 CIRCUIT, UNIVERSAL MATE-N-LOK™ II		
NYLON, UL94V-0,		PRODUCT SPEC	DRAWING NO		
FINISH		APPLICATION SPEC	SIZE	FSCM NO	770027
		WEIGHT	D	00779	
			SCALE	5:1	SHEET 1 OF 1

CUSTOMER DRAWING