

SELECTOR SWITCH, CAN BE ILLUM., 22MM, ROUND, PLASTIC WITH METAL FRONT RING, RED, SHORT SELECTOR SWITCH, 2 SWITCH POSITIONS O-I, LATCHING, ACTUATING ANGLE 90 DEG., 10:30H/13:30H



Figure similar

|   |                                     |
|---|-------------------------------------|
| product brandname                           | SIRIUS ACT                          |
| Product type designation                    | 3SU1                                |
| <b>Enclosure</b>                            |                                     |
| Number of command points                    | 1                                   |
| <b>Actuator</b>                             |                                     |
| Design of the operating mechanism           | Selector switch, short black handle |
| Manner of function of the actuating element | maintained, 90° (10:30h/13:30h)     |
| Product extension optional Light source     | Yes                                 |
| Color of the actuating element              | Red                                 |
| Material of the actuating element           | plastic                             |
| Shape of the actuating element              | Handle                              |
| Outer diameter of the actuating element     | 32.3 mm                             |
| Number of switching positions               | 2                                   |
| Actuating angle                             |                                     |
| • clockwise                                 | 90°                                 |
| <b>Front ring</b>                           |                                     |
| Product component front ring                | Yes                                 |

|                            |             |
|----------------------------|-------------|
| Design of the front ring   | standard    |
| Material of the front ring | Metal, matt |
| Color of the front ring    | sand gray   |

### General technical data

|  |   |
|--|---|
| Protection class IP                        | IP66, IP67, IP69(IP69K)   |
| Degree of protection NEMA rating           | NEMA 1, 2, 3, 3R, 4, 4X, 12   |
| Shock resistance                           | <ul style="list-style-type: none"> <li>• acc. to IEC 60068-2-27 Sinusoidal half-wave 50 g / 11 ms</li> <li>• for railway applications acc. to DIN EN 61373 Category 1, Class B</li> </ul> |
| Vibration resistance                       | <ul style="list-style-type: none"> <li>• acc. to IEC 60068-2-6 10 ... 500 Hz: 5g</li> <li>• for railway applications acc. to DIN EN 61373 Category 1, Class B</li> </ul>                  |
| Operating frequency maximum                | 1 800 1/h   |
| Mechanical service life (switching cycles) | <ul style="list-style-type: none"> <li>• typical 1 000 000</li> </ul>   |
| Equipment marking                          | <ul style="list-style-type: none"> <li>• acc. to DIN EN 61346-2 S</li> <li>• acc. to DIN EN 81346-2 S</li> </ul>  |

### Safety related data

|  |   |
|--|---|
| B10 value  | <ul style="list-style-type: none"> <li>• with high demand rate acc. to SN 31920 100 000</li> </ul>  |
| Proportion of dangerous failures                                   | <ul style="list-style-type: none"> <li>• with low demand rate acc. to SN 31920 20 %</li> <li>• with high demand rate acc. to SN 31920 20 %</li> </ul> |
| Failure rate [FIT]   | <ul style="list-style-type: none"> <li>• with low demand rate acc. to SN 31920 100 FIT</li> </ul>   |
| T1 value for proof test interval or service life acc. to IEC 61508 | 20 y  |

### Ambient conditions





|   |  |
|---|--|
| Ambient temperature                                       | <ul style="list-style-type: none"> <li>• during operation -25 ... +70 °C</li> <li>• during storage -40 ... +80 °C</li> </ul> |
| Environmental category during operation acc. to IEC 60721 | 3M6, 3S2, 3B2, 3C3, 3K6 (with relative air humidity of 10 ... 95 %)  |

### Installation/ mounting/ dimensions

|   |         |
|---|---------|
| Height                                      | 32.3 mm |
| Width                                       | 32.3 mm |
| Shape of the installation opening           | round   |
| Mounting diameter                           | 22.3 mm |
| Positive tolerance of installation diameter | 0.4 mm  |
| Mounting height                             | 28.8 mm |

|                    |         |
|--------------------|---------|
| Installation width | 32.3 mm |
| Installation depth | 25.4 mm |

### Certificates/approvals

| General Product Approval   |   | Declaration of Conformity   | Test Certificates   |
|--|---|---|---|
| <br>CSA | <br>UL |  | <br>EG-Konf. |
|  |   | <a href="#">Werksbescheinigung</a>  | <a href="#">spezielle Prüfbescheinigungen</a>   |

### other

[Bestätigungen](#)

### Further information

#### Information- and Downloadcenter (Catalogs, Brochures,...)

<http://www.siemens.com/industrial-controls/catalogs>

#### Industry Mall (Online ordering system)

<https://mall.industry.siemens.com/mall/en/en/Catalog/product?mlfb=3SU1032-2BF20-0AA0>

#### Cax online generator

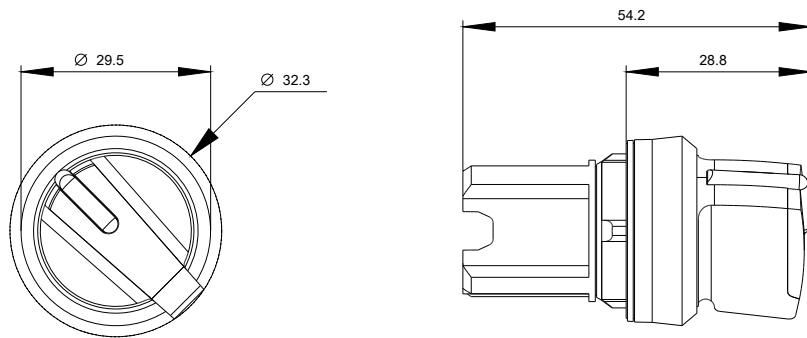
<http://support.automation.siemens.com/WW/CAXorder/default.aspx?lang=en&mlfb=3SU1032-2BF20-0AA0>

#### Service&Support (Manuals, Certificates, Characteristics, FAQs,...)

<https://support.industry.siemens.com/cs/ww/en/ps/3SU1032-2BF20-0AA0>

#### Image database (product images, 2D dimension drawings, 3D models, device circuit diagrams, EPLAN macros, ...)

[http://www.automation.siemens.com/bilddb/cax\\_de.aspx?mlfb=3SU1032-2BF20-0AA0&lang=en](http://www.automation.siemens.com/bilddb/cax_de.aspx?mlfb=3SU1032-2BF20-0AA0&lang=en)



**last modified:**

01/30/2017