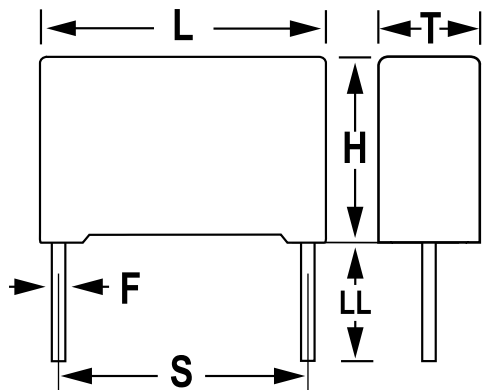


R60, Film, Metallized Polyester, General Purpose, 10 uF, 5%, 100 VDC, 85°C, Lead Spacing = 27.5mm



Dimensions

L	32mm +0.3mm
H	17mm +0.1mm
T	9mm +0.2mm
S	27.5mm +/-0.4mm
LL	4mm +2mm
F	0.8mm +/-0.05mm

Packaging Specifications

Packaging:	Tray
Packaging Quantity:	816

General Information

Supplier:	KEMET
Series:	R60
Dielectric:	Metallized Polyester
Style:	Radial
Features:	DC Multipurpose Applications
RoHS:	Yes
Lead:	Cut
Miscellaneous:	Upper Operating Temperature Of 125C Is Allowed For A Maximum Operating Time Of 1,000 Hours. Above 85C, DC And AC Voltage Derating Is 1.25%/C.

Specifications

Capacitance:	10 uF
Capacitance Tolerance:	5%
Voltage AC:	63 VAC
Voltage DC:	100 VDC
Temperature Range:	-55/+105C
Rated Temperature:	85°C
Dissipation Factor:	1.00% 1kHz
Insulation Resistance:	125 MOhms
Max dV/dt:	1.5 V/us
Inductance:	18 nH