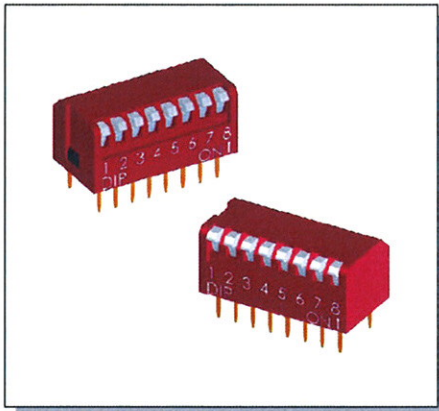


DP(L) SERIES

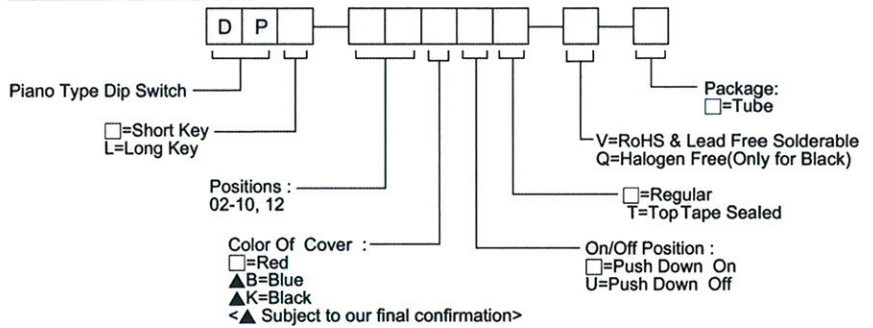
SPST Standard Piano Type



DIP SWITCH



HOW TO ORDER



SPECIFICATION

MECHANICAL

Operation Force: 400gf max.
Stroke: 30°

ENVIRONMENTAL

Operation Temperature: -20°C to +70°C
Storage Temperature: -40°C to +85°C

ELECTRICAL

Electrical Life: 2,000 operations
Non-Switching Rating: 100mA , 50VDC
Switching Rating: 25mA , 24VDC

PACKAGE

DP(L)-02: 70 pcs/tube	DP(L)-02-T: 65 pcs/tube
DP(L)-03: 50 pcs/tube	DP(L)-03-T: 49 pcs/tube
DP(L)-04: 39 pcs/tube	DP(L)-04-T: 39 pcs/tube
DP(L)-05: 32 pcs/tube	DP(L)-05-T: 32 pcs/tube
DP(L)-06: 27 pcs/tube	DP(L)-06-T: 27 pcs/tube
DP(L)-07: 24 pcs/tube	DP(L)-07-T: 24 pcs/tube
DP(L)-08: 21 pcs/tube	DP(L)-08-T: 21 pcs/tube
DP(L)-09: 19 pcs/tube	DP(L)-09-T: 19 pcs/tube
DP(L)-10: 17 pcs/tube	DP(L)-10-T: 17 pcs/tube
DP(L)-12: 14 pcs/tube	DP(L)-12-T: 14 pcs/tube

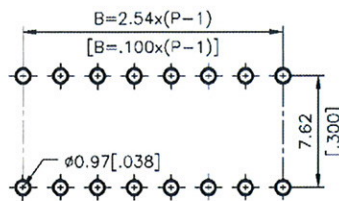
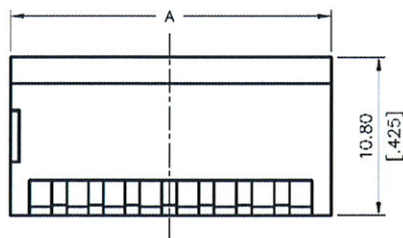
CIRCUIT

SCHEMATIC(TYP.)

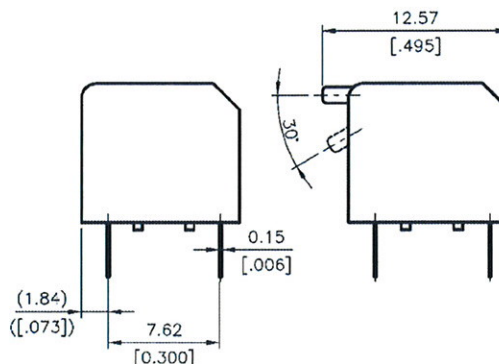
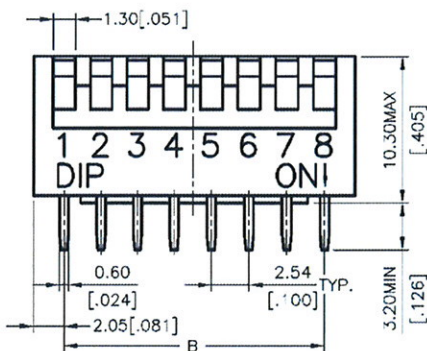


(2,3,4,5,6,7,8,9,10,12, POS AVAIL)

DP(L)



P.C.B. LAYOUT



DP SERIES

DPL SERIES

DP	NO. OF POS.	DIM. A	DIM. B
DP-12	12	32.04 [1.261]	27.94 [1.100]
DPL-12	12		
DP-10	10	26.96 [1.061]	22.86 [0.900]
DPL-10	10		
DP-09	9	24.42 [0.961]	20.32 [0.800]
DPL-09	9		
DP-08	8	21.88 [0.861]	17.78 [0.700]
DPL-08	8		
DP-07	7	19.34 [0.761]	15.24 [0.600]
DPL-07	7		
DP-06	6	16.80 [0.661]	12.70 [0.500]
DPL-06	6		
DP-05	5	14.26 [0.561]	10.16 [0.400]
DPL-05	5		
DP-04	4	11.72 [0.461]	7.62 [0.300]
DPL-04	4		
DP-03	3	9.18 [0.361]	5.08 [0.200]
DPL-03	3		
DP-02	2	6.64 [0.261]	2.54 [0.100]
DPL-02	2		
PROD. NO.	NO. OF POS.	DIM. A	DIM. B