

Ring cable lug - C-RC 1/M3 DIN

3240070

<https://www.phoenixcontact.com/gb/products/3240070>



Please be informed that the data shown in this PDF document is generated from our Online Catalog. Please find the complete data in the user documentation. Our General Terms of Use for Downloads are valid.



Ring cable lug, non-insulated, 0.5 ... 1 mm², M3

Your advantages

- The CRIMPFOX-RC... tools from our CRIMPFOX range of crimping pliers are available for optimum crimping
- The hard-soldered press zone enables maximum conductor pull-out values to be achieved
- The ring cable lugs without plastic sleeve are made from high-quality tin-plated electrolytic copper for maximum protection against corrosion

Ring cable lug - C-RC 1/M3 DIN



3240070

<https://www.phoenixcontact.com/gb/products/3240070>

Commercial Data

Item number	3240070
Packing unit	100 pc
Minimum order quantity	100 pc
Sales Key	BH3422
Product Key	BH3422
Catalog Page	Page 490 (C-3-2019)
GTIN	4046356452878
Weight per Piece (including packing)	0.556 g
Weight per Piece (excluding packing)	0.556 g
Customs tariff number	85369010
Country of origin	CN

Ring cable lug - C-RC 1/M3 DIN

3240070

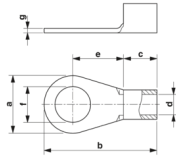
<https://www.phoenixcontact.com/gb/products/3240070>

Technical Data

Product properties

Product type	Connector
--------------	-----------

Dimensions

Dimensional drawing	
Width	6 mm
Length	14 mm
Length of the insulating material sleeve	5 mm
Maximum stripping length	7 mm
Distance from the center to the insulating material sleeve	6 mm
Min. material thickness	0.8 mm
Inner dimensions of the insulating collar	1.6 mm

Internal dimensions

Internal diameter	3.2 mm
-------------------	--------

Material specifications

Color	silver
Material	Copper
Coating	tin-plated

Connector

Material	Copper
Material	Copper

Environmental and real-life conditions

Ambient conditions

Ambient temperature (operation)	110 °C
---------------------------------	--------

Standards and regulations

Design according to standard	DIN 46234
------------------------------	-----------

Ring cable lug - C-RC 1/M3 DIN

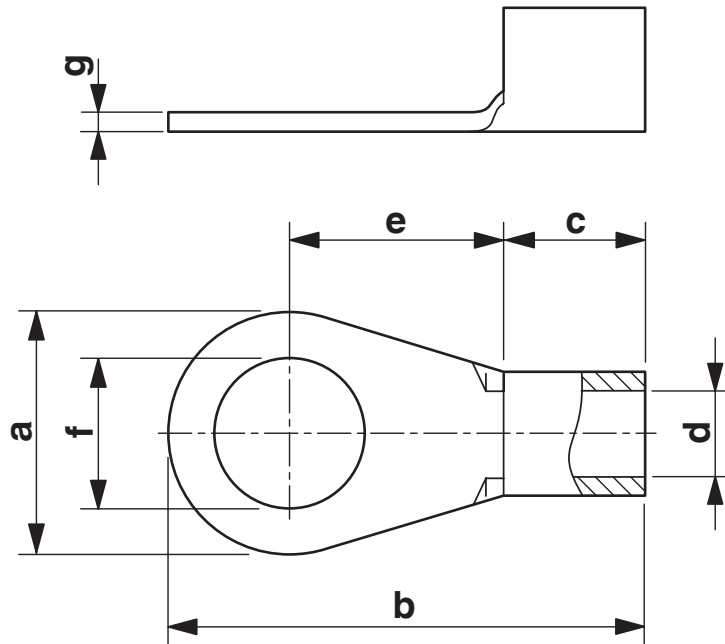
3240070

<https://www.phoenixcontact.com/gb/products/3240070>



Drawings

Dimensional drawing



Ring cable lug - C-RC 1/M3 DIN

3240070

<https://www.phoenixcontact.com/gb/products/3240070>



Classifications

ECLASS

ECLASS-9.0	27400204
ECLASS-10.0.1	27400204
ECLASS-11.0	27400204

ETIM

ETIM 8.0	EC001052
----------	----------

UNSPSC

UNSPSC 21.0	27121700
-------------	----------

Ring cable lug - C-RC 1/M3 DIN



3240070

<https://www.phoenixcontact.com/gb/products/3240070>

Environmental Product Compliance

China RoHS	Environmentally friendly use period: unlimited = EFUP-e No hazardous substances above threshold values
------------	-----------------------------------------------------------------------------------------------------------

Phoenix Contact 2022 © - all rights reserved
<https://www.phoenixcontact.com>

PHOENIX CONTACT Ltd
Halesfield 13, Telford
Shropshire, TF7 4PG
01952 681700
info@phoenixcontact.co.uk