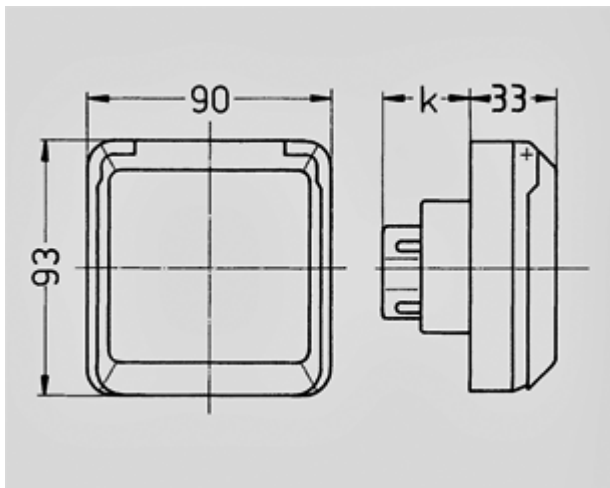


**Cepex panel mounted socket - Part no. 4115**


- screw terminals
- also suitable for installation in cable ducts and columns
- meeting DIN 18032 standards for ball rebound

Protection type IP 44  
 Ampere 16 A  
 Poles 5p  
 Voltage 400  
 Hertz 50-60Hz  
 Earth position 6h

Std. Pack. 5 Qty.



Drawing	Amp.	16			32		
		3	4	5	3	4	5
1 MB 315	Poles						
Dim. in mm	k	32	32	32	48	48	48
Terminal for cond.	cross	1,5	1,5	1,5	2,5	2,5	2,5
section (mm <sup>2</sup> )	min.-max.	-4	-4	-4	-6	-6	-6