

# Industrial Combination Signal 106 dB (A) / 5 Joule

## Series YL40



- > Max sound output 106 db (A) / 1 m
- > IP65 rated as standard
- > Strobe available in 5 Joules
- > 32 selectable tones meeting international regulations
- > Flame retardant ABS enclosure
- > Stainless steel fixings
- > 2 stage alarm
- > Independently selectable second stage
- > Lens available in six different colours
- > Low current consumption



14670E00

E5

**Yodalight range**  
Compact multi-purpose audible and visual signalling device designed for use in industrial applications.

### Approvals

Certificates		UL 1638, UL 464
		BS EN 54-3 : 2001 incorporates amendment A 1 : 2002 + A2 : 2006
		BS EN 54-3 : 2001 incorporates amendment A 1 : 2002 + A2 : 2006
		EN54-3 : 2001 + A1 : 2002 + A2 : 2006 VdS 2504 (12/96), VdS 2203 (03/01), VdS 2344 (12/05), Cert No. G28702
		Marine Equipment Directive MED Module B BSI/MED/A.1/3.53/590299, Module D BSI/MED/PC/590302
Note	<b>Information for European users of the YL40 combination device:</b> The optical device/beacon cannot be used as part of a fire alarm system. Only the sounder has been certified to the relevant EN54 standard.	

# Industrial Combination Signal 106 dB (A) / 5 Joule

## Series YL40



Selection Table

Version	Enclosure colour	Flash energy	Rated operational voltage	Lens colour	Order number	Art. no.	Weight kg			
YL40 Sounder/Strobe combination, BS EN 54-3 + MED, standard devices	red normal (RN)	5 J	24 V DC	amber	YL40/D50/A/RN/WR	204507	0.510			
				red	YL40/D50/R/RN/WR	204540	0.510			
				green	YL40/D50/G/RN/WR	211992	0.510			
				opal	YL40/D50/O/RN/WR	204527	0.510			
				blue	YL40/D50/B/RN/WR	204518	0.510			
				clear	YL40/D50/C/RN/WR	211993	0.510			
			115 V AC	amber	YL40/L50/A/RN/WR	204552	0.570			
				red	YL40/L50/R/RN/WR	204562	0.570			
				green	YL40/L50/G/RN/WR	204557	0.570			
				opal	YL40/L50/O/RN/WR	211994	0.570			
				blue	YL40/L50/B/RN/WR	211995	0.570			
				clear	YL40/L50/C/RN/WR	211996	0.570			
			230 V AC	amber	YL40/N50/A/RN/WR	204570	0.570			
				red	YL40/N50/R/RN/WR	204588	0.570			
				green	YL40/N50/G/RN/WR	211997	0.570			
				opal	YL40/N50/O/RN/WR	211998	0.570			
				blue	YL40/N50/B/RN/WR	211999	0.570			
				clear	YL40/N50/C/RN/WR	212000	0.570			
			YL40 Sounder/Strobe combination, UL certification	red normal (RN)	5 J	24 V DC	amber	YL40/D50/A/RN/UL	204595	0.510
							red	YL40/D50/R/RN/UL	204599	0.510
							green	YL40/D50/G/RN/UL	212001	0.510
opal	YL40/D50/O/RN/UL	212002					0.510			
blue	YL40/D50/B/RN/UL	212003					0.510			
clear	YL40/D50/C/RN/UL	212004					0.510			
115 V AC	amber	YL40/L50/A/RN/UL				204600	0.570			
	red	YL40/L50/R/RN/UL				204788	0.570			
	green	YL40/L50/G/RN/UL				212005	0.570			
	opal	YL40/L50/O/RN/UL				212006	0.570			
	blue	YL40/L50/B/RN/UL				212007	0.570			
	clear	YL40/L50/C/RN/UL				212008	0.570			
230 V AC	amber	YL40/N50/A/RN/UL				212009	0.570			
	red	YL40/N50/R/RN/UL				210155	0.570			
	green	YL40/N50/G/RN/UL				212010	0.570			
	opal	YL40/N50/O/RN/UL				212011	0.570			
	blue	YL40/N50/B/RN/UL				212012	0.570			
	clear	YL40/N50/C/RN/UL				212013	0.570			
YL40 Sounder/Strobe combination, VDS certification	red normal (RN)	5 J				24 V DC	amber	YL40/D50/A/RN/WR/VDS	212014	0.510
							red	YL40/D50/R/RN/WR/VDS	212015	0.510
							green	YL40/D50/G/RN/WR/VDS	212016	0.510
			opal	YL40/D50/O/RN/WR/VDS	212017		0.510			
			blue	YL40/D50/B/RN/WR/VDS	212018		0.510			
			clear	YL40/D50/C/RN/WR/VDS	212019		0.510			

Note Other voltages and variants are available. Please contact your local sales office for more details

# Industrial Combination Signal 106 dB (A) / 5 Joule Series YL40



## Technical Data

### Electrical data

Rated operational voltage	24 or 48 V DC 115 or 230 V AC	
Current consumption	24 V DC	343 mA
	48 V DC	187 mA
	115 V AC	127 mA
	230 V AC	118 mA
	at tone 1	
Operational parameters	+ or - 10% of nominal	
Line monitoring	line monitoring excludes additional voltage options: 3 wire, 2 stage or 2 wire, single stage: monitor via reverse polarity 2 wire, 2 stage i.e. bi-polar inputs: monitor via threshold (applied voltage < 1 V) monitor via reverse polarity	

### Acoustic data

Volume	max. 106 dB (A)
Volume control	18 dB (A) adjustment
Sound stages	2, independantly selectable tones
Sound selection	via DIL switch

### Luminous characteristics

Light source	Xenon flash tube		
Flash energy	5 J		
Flash rate	1 per second		
Light intensity	Effective candela (cd)	Candela Seconds	
	clear	72.10	14.44
	red	8.92	1.186
	amber	25.52	5.111
	blue	14.09	2.82
	green	29.70	5.946
	opal	65.78	13.17
Lens colour	amber, red, green, opal, blue, clear		

### Ambient conditions

Operating temperature range	Standard variants:	-25 ... +55 °C
	VDS certified variants:	-25 ... +40 °C
	UL certified variants:	-35 ... +66 °C
Storage temperature	- 40 ... + 70 °C	
Max. relative humidity	93% ± 3 at 40 °C	

### Mechanical data

Material	
Enclosure	flame retardant ABS
Lens cover	polycarbonate, flame retardant
Assembly parts	stainless steel fixings
Labels	polyester foil, adhesive
Degree of protection	IP65 (IEC60529)

### Mounting / Installation

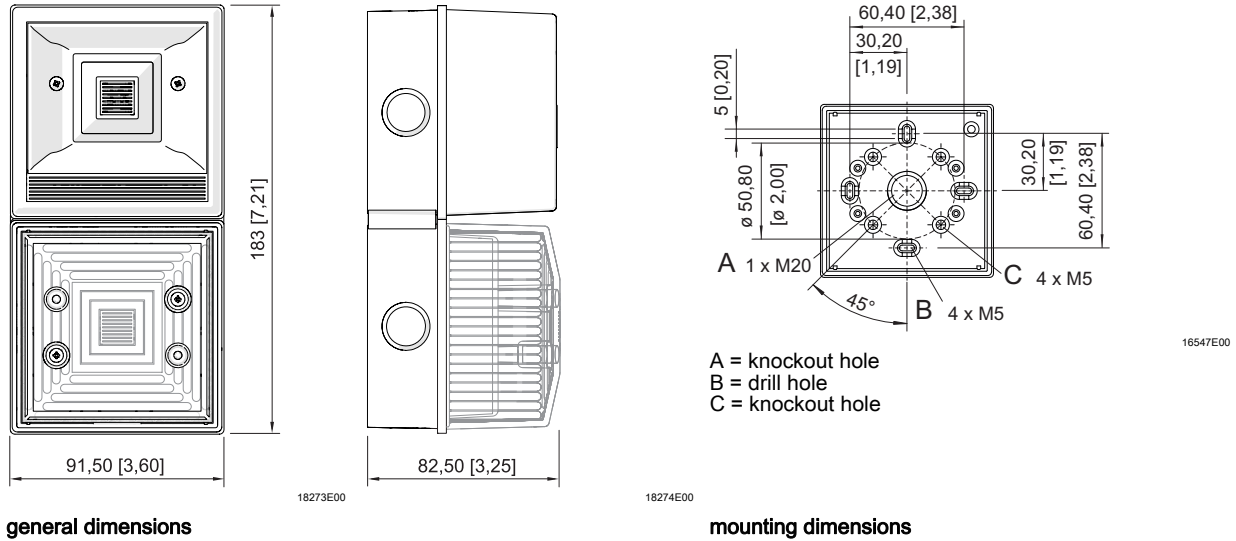
Assembly	Should be mounted to a reasonably flat wall or bulkhead of suitable material using the internal fixing holes. The recommended fixing screws are dia. 4.5 mm max. x 20 mm long. To maintain the integrity of the weather seal, the cable entry must be fitted using a suitable sealed gland.
Connection	V DC variants separate input and output 2,5mm <sup>2</sup> terminals V AC variants 2,5mm <sup>2</sup> terminals

E5

# Industrial Combination Signal 106 dB (A) / 5 Joule Series YL40



## Dimensional Drawings (All Dimensions in mm [inches]) - Subject to Alterations



We reserve the right to make alterations to the technical data, dimensions, weights, designs and products available without notice. The illustrations cannot be considered binding.