

## FEATURES

- Copper body material for high conductivity and easy crimping
- Tin plating for resistance to corrosion
- Added strength and excellent conductivity
- Vinyl insulation for electrical insulation and terminal protection
- Colour coded insulation for easy identification of terminal size
- Expanded insulation entry for easy wire insertion

## RS PRO Insulated Ring Terminal, M4 Stud Size, 0.5mm<sup>2</sup> to 1.5mm<sup>2</sup> Wire Size, Red

RS Stock No.: 613-9249



RS Professionally Approved Products bring to you professional quality parts across all product categories. Our product range has been tested by engineers and provides a comparable quality to the leading brands without paying a premium price.

## Product Description

From RS PRO a high-quality insulated crimp ring terminal, also known as a ring connector or cable lug. Ring crimp terminals are used for connecting an electrical cable or wire to a stud or a post on an electrical component such as a battery terminal. This ring terminal is made from highly conductive copper and then tin plated for maximum electrical conductivity and corrosion resistance. A colour coded vinyl insulation provides protection to the terminal and aids quick identification of the terminal size. Once correctly crimped onto a wire or cable this ring terminal will provide a secure and reliable electrical connection.

## General Specifications

<b>Insulation</b>	Insulated
<b>Insulation Material</b>	Vinyl
<b>Colour</b>	Red
<b>Contact Material</b>	Copper
<b>Contact Plating</b>	Tin
<b>Stud Size</b>	M4
<b>Application</b>	Wide range of industries for connecting wires to electrical components. Applications include wiring in industrial control systems and industrial machines, automotive applications, communication equipment, power supplies and domestic appliances.

## Electrical Specifications

<b>Maximum Electrical Rating</b>	105°C 600 VOLTS MAX.
<b>Maximum Electrical Current</b>	22 AWG: 9A, 20AWG: 12A, 18 AWG: 17A, 16AWG: 18A

## Mechanical Specifications

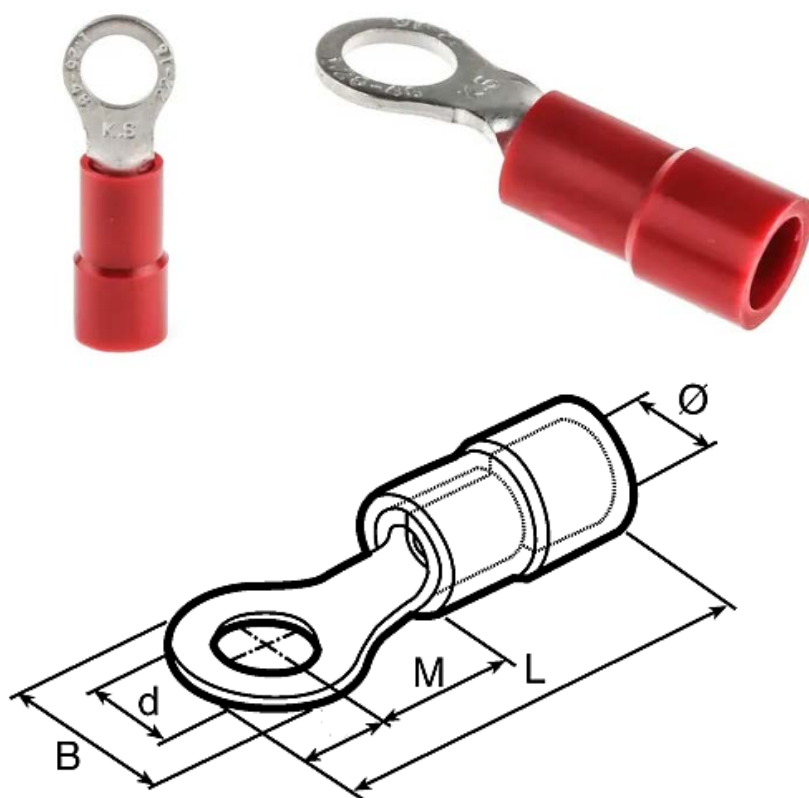
<b>Thickness</b>	0.75mm
<b>Overall Length</b>	20.4mm
<b>Inner Ring Diameter</b>	4.3mm
<b>Outer Ring Diameter</b>	6.6mm
<b>Maximum Wire Size</b>	1.5mm <sup>2</sup>
<b>Minimum Wire Size</b>	0.5mm <sup>2</sup>
<b>Maximum Wire Size (AWG)</b>	16AWG
<b>Minimum Wire Size (AWG)</b>	22AWG

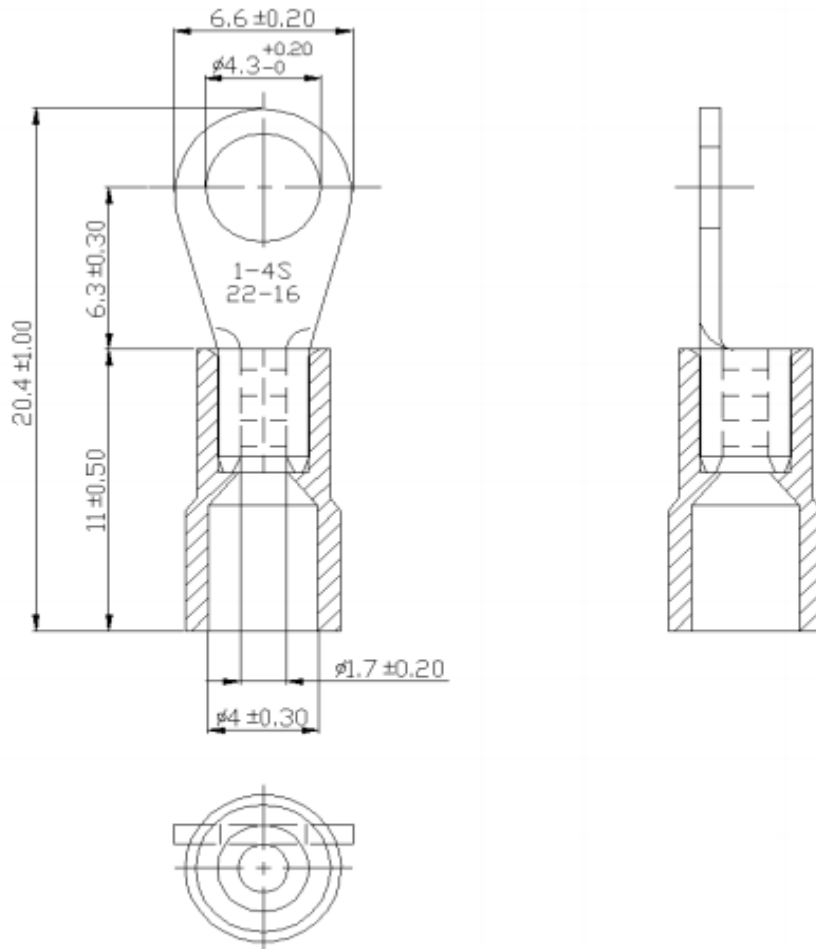
## Operation Environment Specifications

<b>Maximum Operating Temperature</b>	150°C
--------------------------------------	-------

## Approvals

<b>Compliance/Certifications</b>	UL
----------------------------------	----





**MAXIMUM ELECTRIC CURRENT:**

A.W.G.	22	20	18	16
AMP.	9	12	17	18



**MAXIMUM ELECTRICAL RATING:** 105°C 600 VOLTS MAX.

**INSULATION MATERIAL:** VINYL

**INSULATION COLOR:** 22-16A.W.G.: RED ■

**TERMINAL MATERIAL:** COPPER

WIRE RANGE A.W.G. mm <sup>2</sup>	ITEM NO.	STUD SIZE	DIMENSION inch(mm)							
			BUTTED SEAM	d2	W	F	L	E	D	d1
22-16 A.W.G. 0.5-1.5 mm <sup>2</sup>	<input type="checkbox"/> <b>613-9249</b>	#8	0.169 4.3	0.26 6.6	0.248 6.3	0.803 20.4	0.433 11	0.157 4.000	0.067 1.7	0.03 0.75

Wire Size	Colour	Stud Size	Replacement Stock Number
0.5 to 1.5 mm <sup>2</sup>	Red	M4	<a href="#">613-9249</a>
1.5 to 2.5 mm <sup>2</sup>	Blue	M4	<a href="#">613-9508</a>
1.5 to 2.5 mm <sup>2</sup>	Blue	M5	<a href="#">613-9312</a>
4 to 6 mm <sup>2</sup>	Yellow	M6	<a href="#">613-9413</a>
0.5 to 1.5 mm <sup>2</sup>	Red	M4	<a href="#">613-9479</a>
1.5 to 2.5 mm <sup>2</sup>	Blue	M4	<a href="#">613-9435</a>