

# LCC Series - LCC Sockets

## JEDEC Type "C"



Production sockets for JEDEC Type "C" LCC chips.

Socket design for automatic assembly and vacuum pick and place machines.

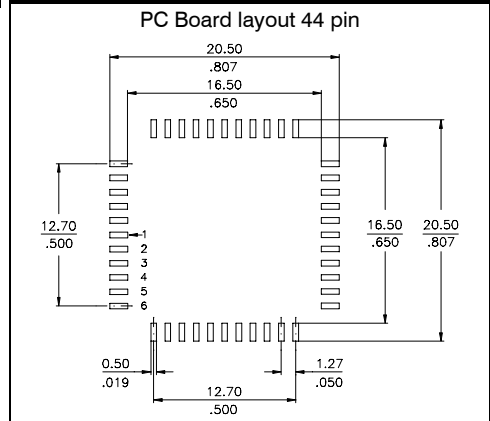
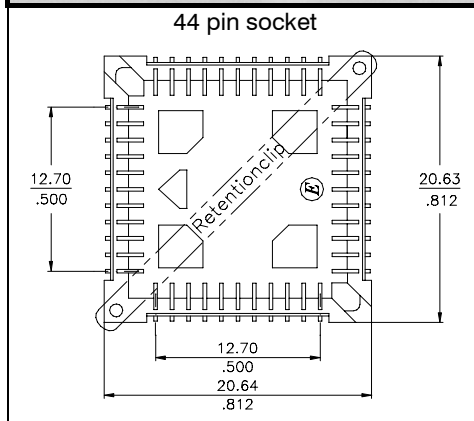
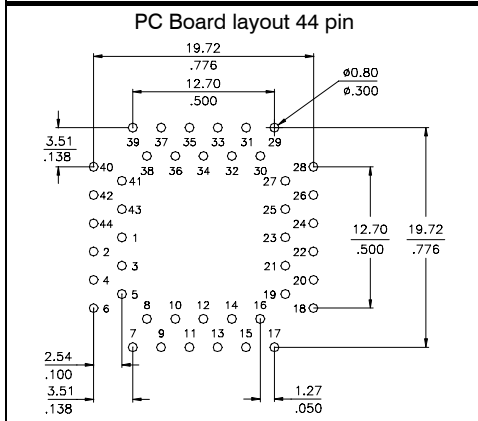
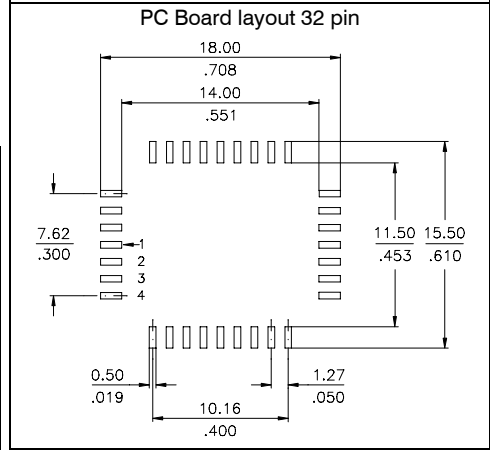
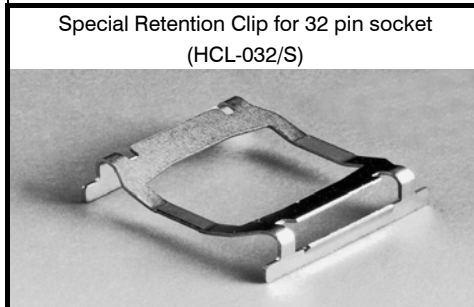
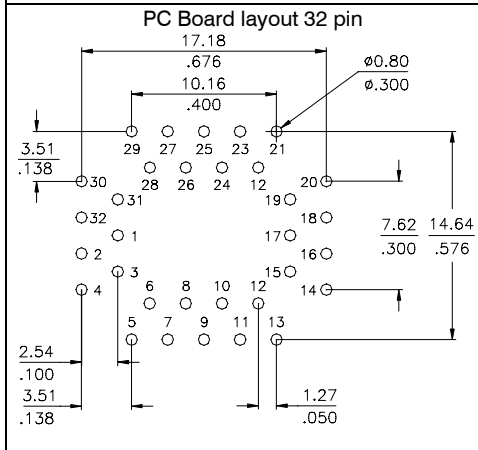
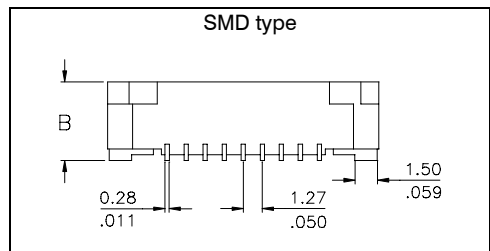
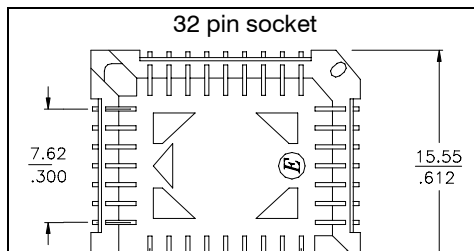
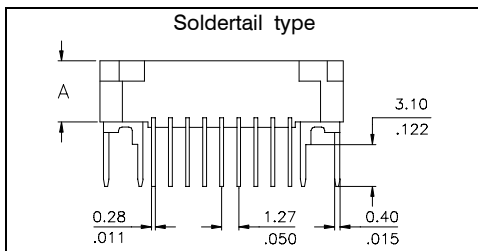
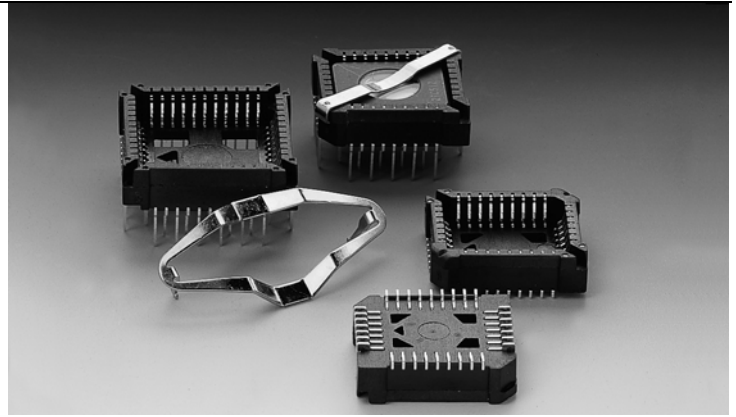
Sockets available in soldertail and SMD version.

The SMD terminals extend beyond the side of the socket body, which permits direct access of the infrared heat to the terminal, thus preventing an undesired heat exposure of the insulator.

High temperature insulator for SMD soldering.

Optional retention clips are available, which can be mounted and demounted without any tools.

Chips can be easily removed with the Universal extraction tool PUL-100.



Pin	Soldertail Type Ordering Code	DIM "A"
32	<b>LCC-032-H210-55</b>	5,20/.244
44	<b>LCC-044-H210-55</b>	6,80/.268

Retention Clip Styles - Ordering Code	
32-pin	= <b>HCL-032/S</b> (square)
32-pin	= <b>HCL-032</b> (diagonal)
44-pin	= <b>HCL-044</b> (diagonal)

Pin	SMD Type Ordering Code	DIM "B"
32	<b>LCC-032-H200-55</b>	5,40/.213
44	<b>LCC-044-H200-55</b>	6,00/.236

### Specifications

#### Mechanical data

Contact material: BeCu  
 Plating: Au over Ni over Cu (Sn on request)  
 Insulator: PPS; UL 94 V-0

#### Electrical data

Insulation resistance at 500V DC: 1000 MΩ min.  
 Breakdown voltage at 60 Hz: 700V AC for one min  
 Contact resistance at 10 mA: 30 mΩ max.  
 Capacitance: 1pF max.  
 Current rating: 1 A max., 100V

#### Operating temperature

-65°C to +150°C / 260°C for 10 sec

#### Pitch

1,27 mm (.050")