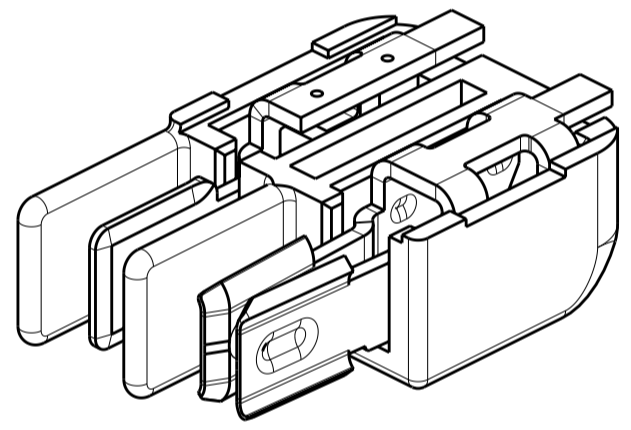
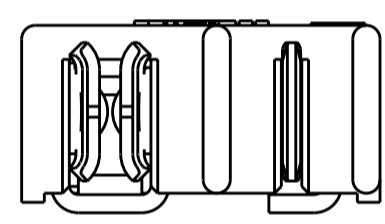
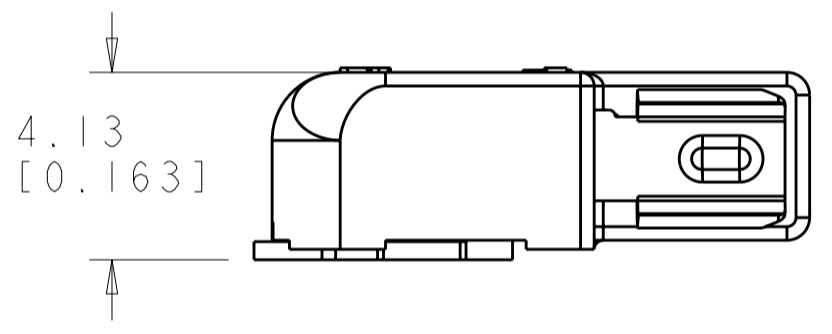
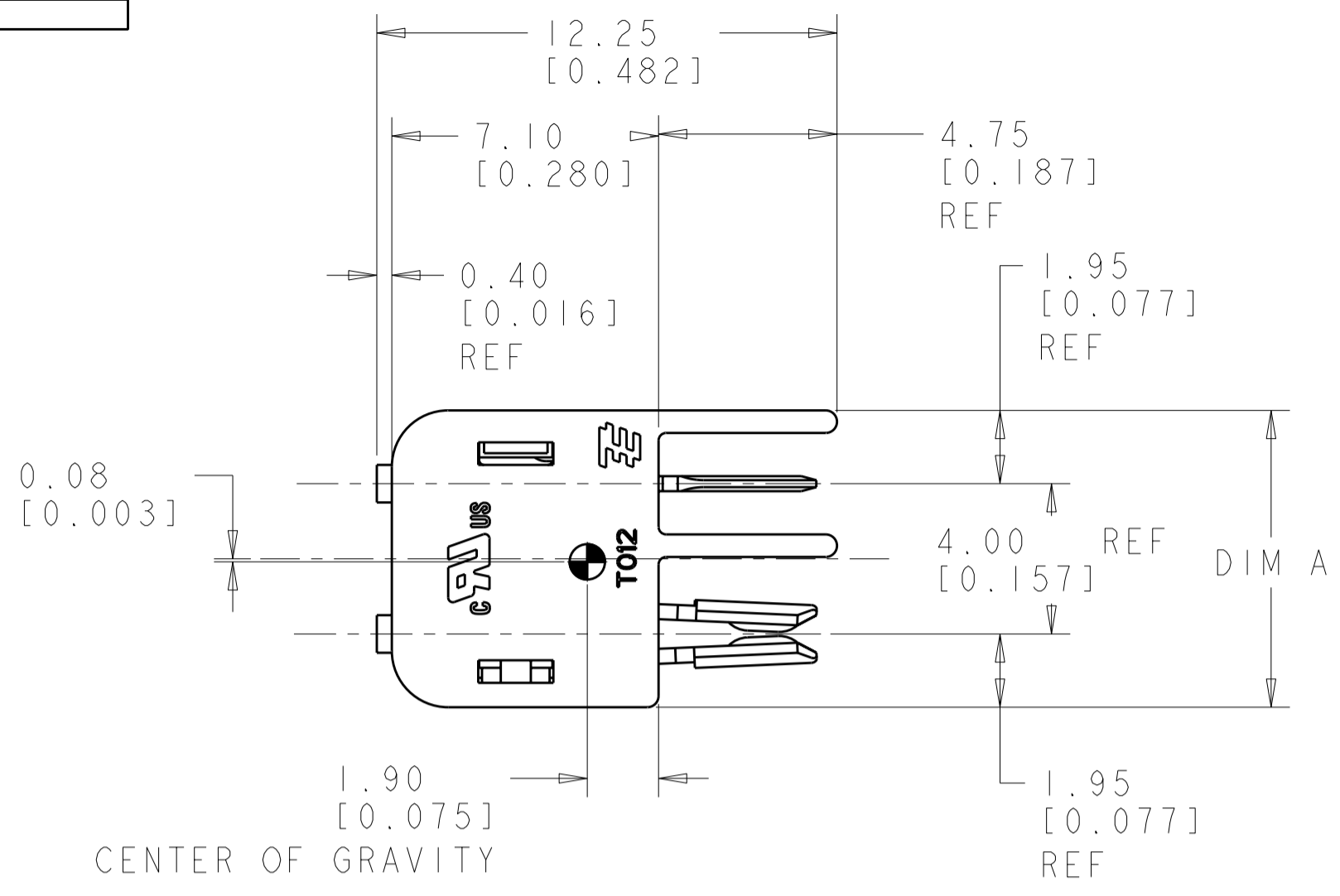


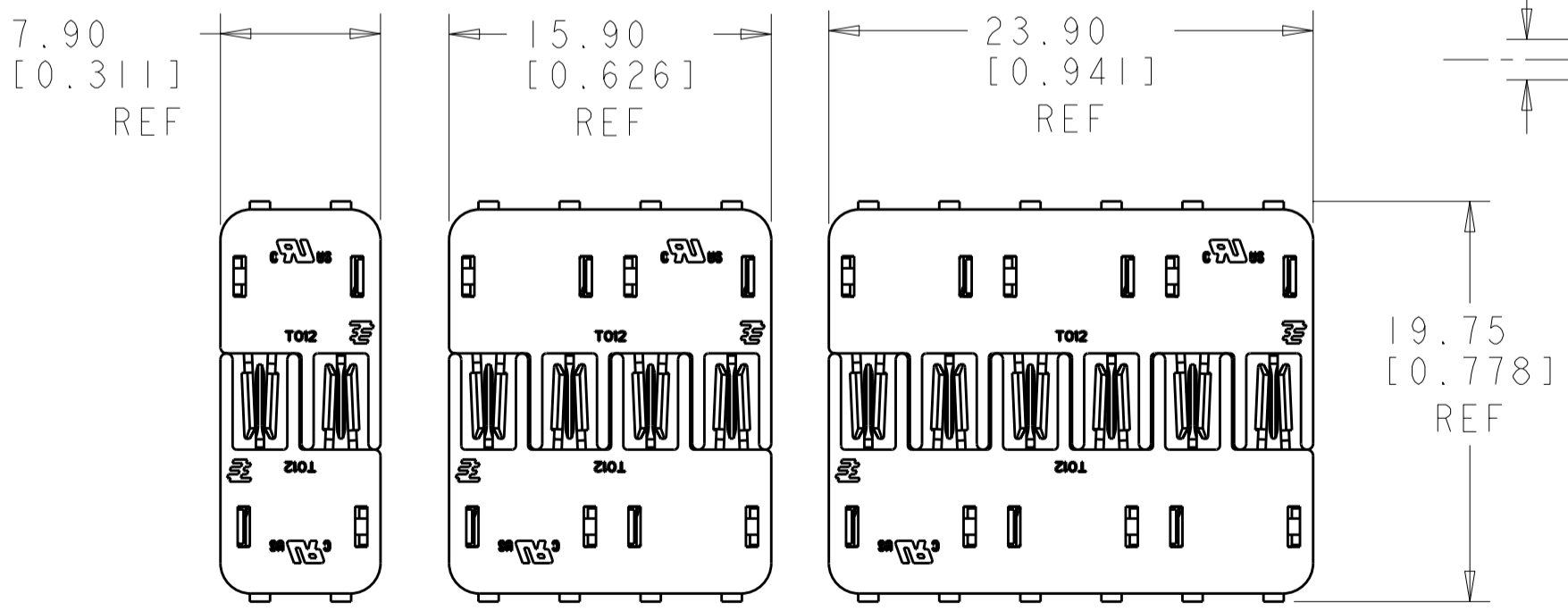
THIS DRAWING IS UNPUBLISHED. RELEASED FOR PUBLICATION 20  
 © COPYRIGHT 20 BY TYCO ELECTRONICS CORPORATION. ALL RIGHTS RESERVED.

| REVISIONS |     |                           |           |        |
|-----------|-----|---------------------------|-----------|--------|
| P         | LTR | DESCRIPTION               | DATE      | APVD   |
| A         |     | REVISED PER ECR-10-003773 | 10MAR2010 | HMR DD |

- NOTES:
- 1 MATERIALS AND FINISH
    - HOUSING: LCP
    - CONTACTS: COPPER ALLOY, FINISH: TIN
  - 2 PRODUCT TO COMPLY WITH DIRECTIVE 2002/95/EC (ROHS)
  - 3 PACKAGED IN TAPE AND REEL PER EIA-481 SPECIFICATIONS
  - 4 OPTIONAL PADS FOR SMT POKE-IN CONNECTOR PN 1954097-1
  - 5 PRELIMINARY-NOT FOR PRODUCTION



1954289-1/  
1-1954289-1  
SHOWN



1954289-1/ 1954289-2/  
1-1954289-1 1-1954289-2  
SCALE 3:1 SCALE 3:1  
1954289-3/  
1-1954289-3  
SCALE 3:1

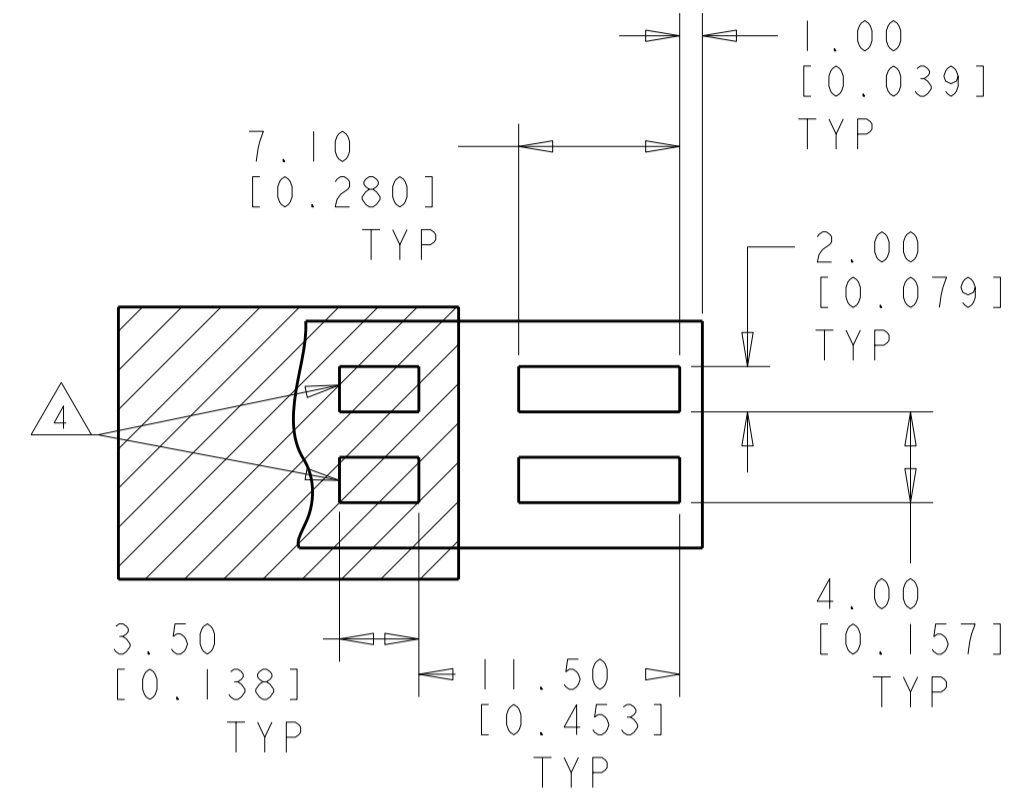
MATED PAIRS SHOWN FOR REFERENCE

|   |   |          |       |             |
|---|---|----------|-------|-------------|
| 5 | 6 | BLACK    | 23.90 | 1-1954289-3 |
| 5 | 4 | BLACK    | 15.90 | 1-1954289-2 |
|   | 2 | BLACK    | 7.90  | 1-1954289-1 |
| 5 | 6 | NATURAL  | 23.90 | 1954289-3   |
| 5 | 4 | NATURAL  | 15.90 | 1954289-2   |
|   | 2 | NATURAL  | 7.90  | 1954289-1   |
|   |   | POSITION | COLOR | DIM A       |
|   |   |          |       | PART NO.    |

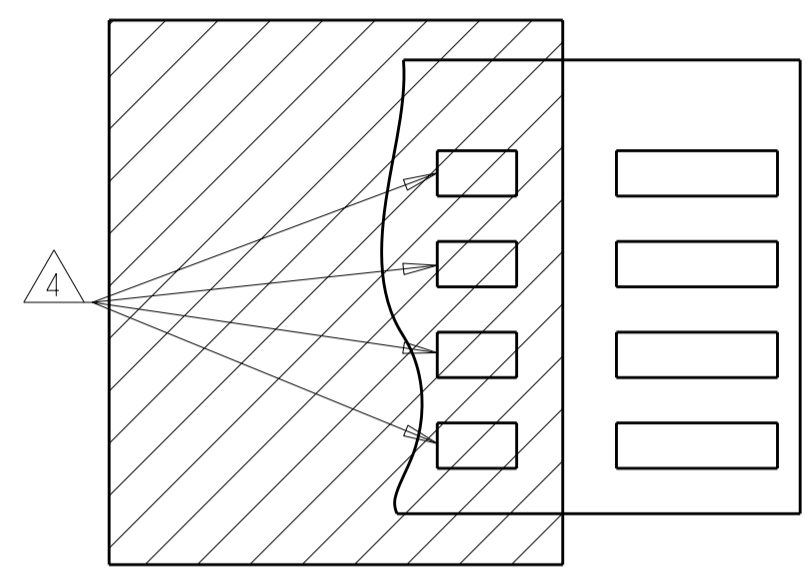
|   |  |                               |  |                       |
|---|--|-------------------------------|--|-----------------------|
| THIS DRAWING IS A CONTROLLED DOCUMENT FOR TYCO ELECTRONICS CORPORATION. IT IS SUBJECT TO CHANGE AND THE CONTROLLING ENGINEERING ORGANIZATION SHOULD BE CONTACTED FOR THE LATEST REVISION. |  | DWN<br>RAGHU<br>18DEC2006     | Tyco Electronics<br>Harrisburg, PA 17105-3608                      |                       |
| DIMENSIONS:<br>mm   |  | CHK<br>S. HORST<br>17APR2007  | NAME<br>CONNECTOR ASSEMBLY,<br>HERMAPHRODITIC BLADE AND RECEPTACLE |                       |
| TOLERANCES UNLESS OTHERWISE SPECIFIED:<br>0 PLC ±<br>1 PLC ±<br>2 PLC ±0.13<br>3 PLC ±0.013<br>4 PLC ±<br>ANGLES ±°<br>FINISH   |  | APVD<br>-                     | PRODUCT SPEC<br>108-2342   | RESTRICTED TO<br>-    |
| MATERIAL  |  | APPLICATION SPEC<br>114-13225 | SIZE<br>A200779  | DRAWING NO<br>1954289 |
| CUSTOMER DRAWING  |  | WEIGHT<br>-                   | SCALE<br>3:1   | SHEET<br>1 OF 2       |

THIS DRAWING IS UNPUBLISHED. RELEASED FOR PUBLICATION 20  
 © COPYRIGHT 20 BY TYCO ELECTRONICS CORPORATION. ALL RIGHTS RESERVED.

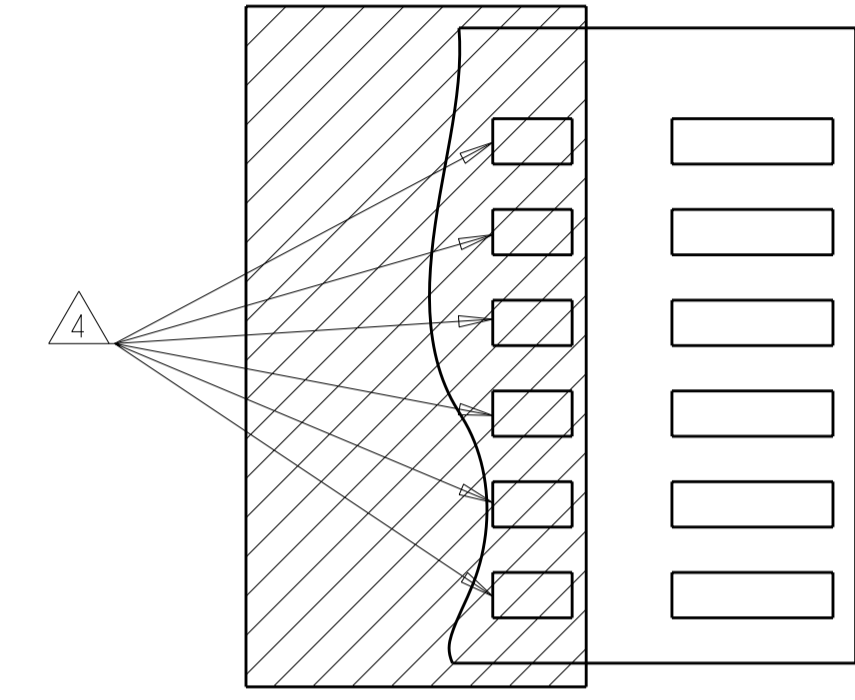
| LOC |     | DIST        |      | REVISIONS |      |  |  |  |
|-----|-----|-------------|------|-----------|------|--|--|--|
| P   | LTR | DESCRIPTION | DATE | DWN       | APVD |  |  |  |
| -   | -   | SEE SHEET 1 | -    | -         | -    |  |  |  |
|     |     |             |      |           |      |  |  |  |
|     |     |             |      |           |      |  |  |  |



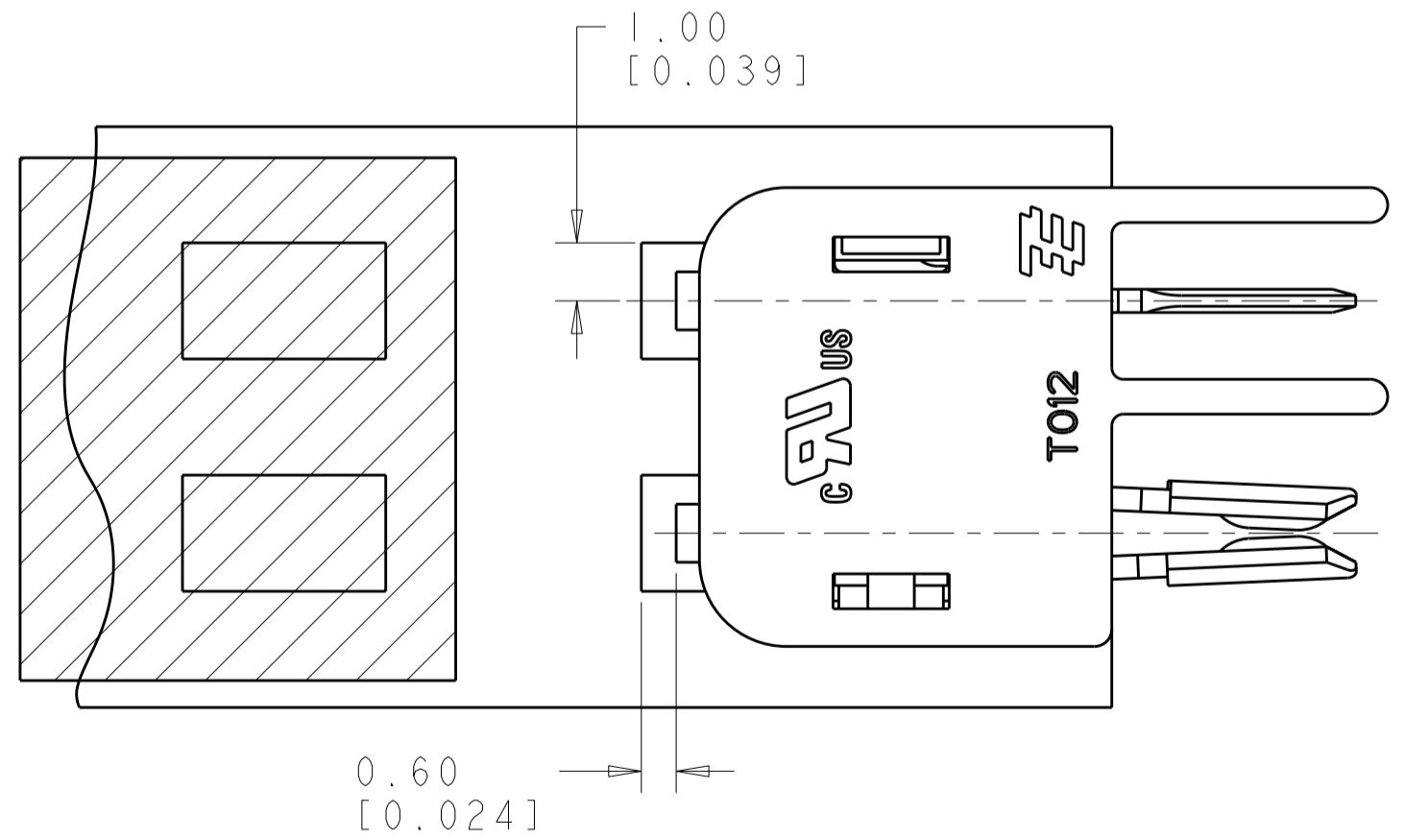
RECOMMENDED PCB LAYOUT  
FOR 1954289-1 & 1-1954289-1



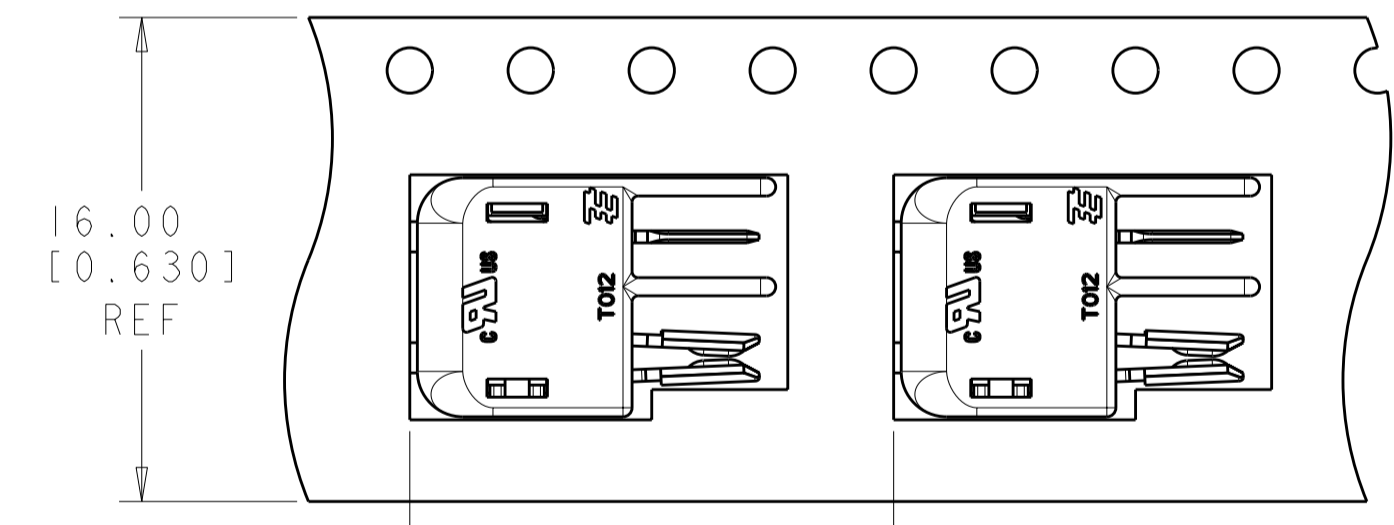
RECOMMENDED PCB LAYOUT  
FOR 1954289-2 & 1-1954289-2



RECOMMENDED PCB LAYOUT  
FOR 1954289-3 & 1-1954289-3



SCALE 8:1



TO BE PACKAGED AS SHOWN  
SCALE 4:1

|   |  |                               |  |                         |
|---|--|-------------------------------|--|-------------------------|
| THIS DRAWING IS A CONTROLLED DOCUMENT FOR TYCO ELECTRONICS CORPORATION. IT IS SUBJECT TO CHANGE AND THE CONTROLLING ENGINEERING ORGANIZATION SHOULD BE CONTACTED FOR THE LATEST REVISION. |  | DWN<br>RAGHU<br>18DEC2006     | Tyco Electronics<br>Harrisburg, PA 17105-3608                      |                         |
| DIMENSIONS:<br>mm   |  | CHK<br>S. HORST<br>17APR2007  | NAME<br>CONNECTOR ASSEMBLY,<br>HERMAPHRODITIC BLADE AND RECEPTACLE |                         |
| TOLERANCES UNLESS OTHERWISE SPECIFIED:<br>0 PLC ±<br>1 PLC ±<br>2 PLC ±0.13<br>3 PLC ±0.013<br>4 PLC ±<br>ANGLES ±°<br>FINISH   |  | APVD<br>-                     | PRODUCT SPEC<br>108-2342   | RESTRICTED TO<br>-      |
| MATERIAL<br>-   |  | APPLICATION SPEC<br>114-13225 | SIZE<br>A200779  | DRAWING NO<br>C-1954289 |
|   |  | WEIGHT<br>-                   | SCALE<br>3:1   | SHEET<br>2 OF 2         |
|   |  | CUSTOMER DRAWING              | REV<br>A   |                         |