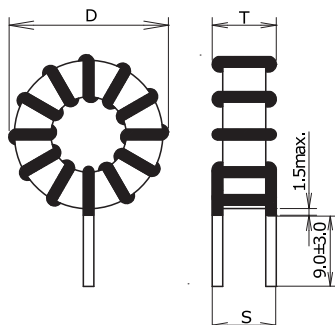


KEMET Part Number: HHBC20-1R7A0152V
(UALC201R7A0152)

KEMET, HHBC, AC Line Filters, Normal Mode, 152 uH, 20%



Dimensions	
D	41.2mm MAX
T	20.4mm MAX
LL	9mm +/-3mm
S	15mm NOM

Packaging Specifications	
Packaging:	Tray
Packaging Quantity:	80
Weight:	72 g

General Information	
Series:	HHBC
Style:	Through-Hole
Features:	Noise Solution, Switching Power Supply Outlets, DC-DC Converter
RoHS:	Yes
Miscellaneous:	60 (K) Temperature Rise Max.

Specifications	
Inductance:	152 uH
Inductance Tolerance:	20%
Current:	12 A
Temperature Range:	-40/+125°C
DC Resistance:	20.4 mOhms