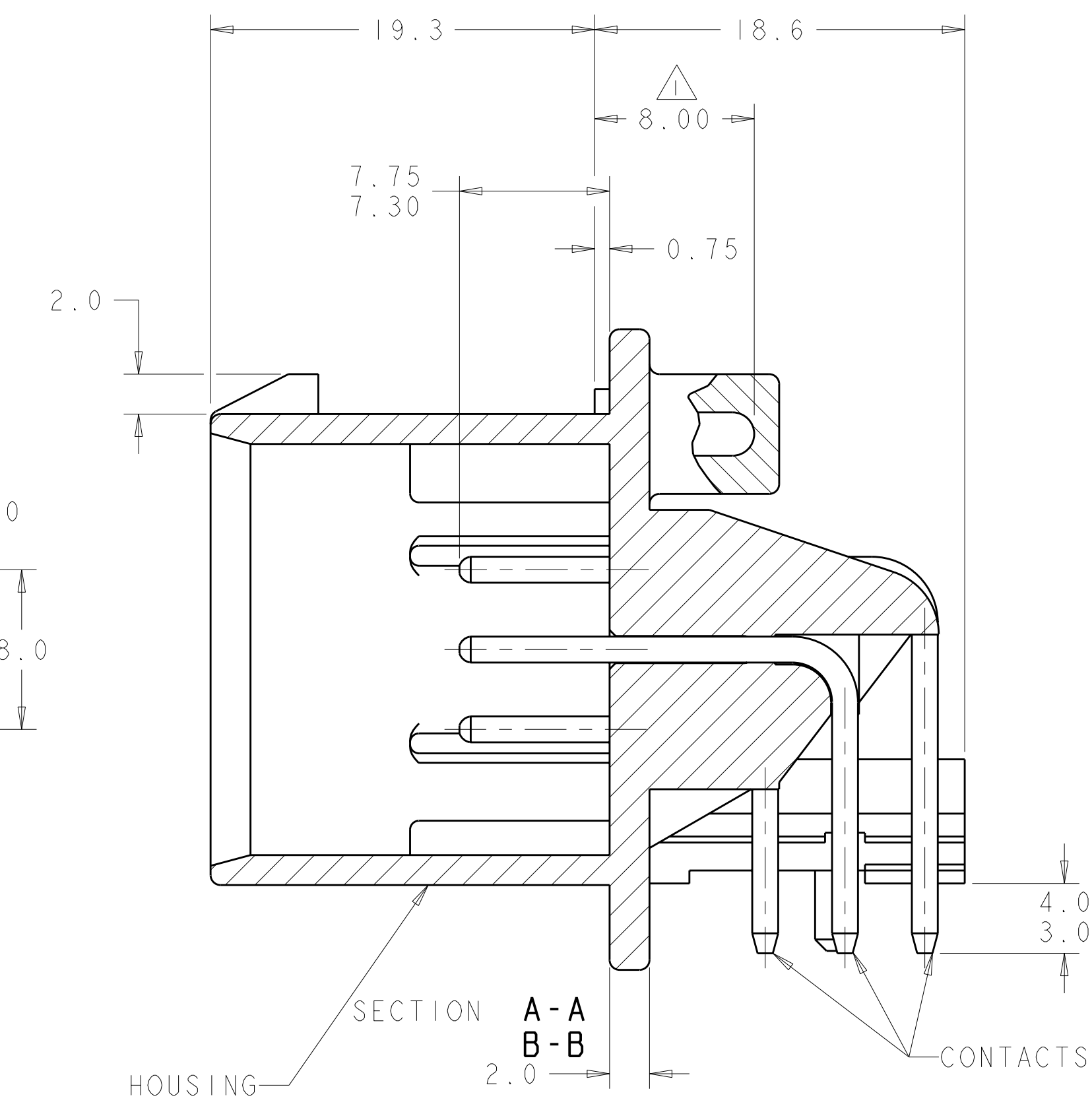
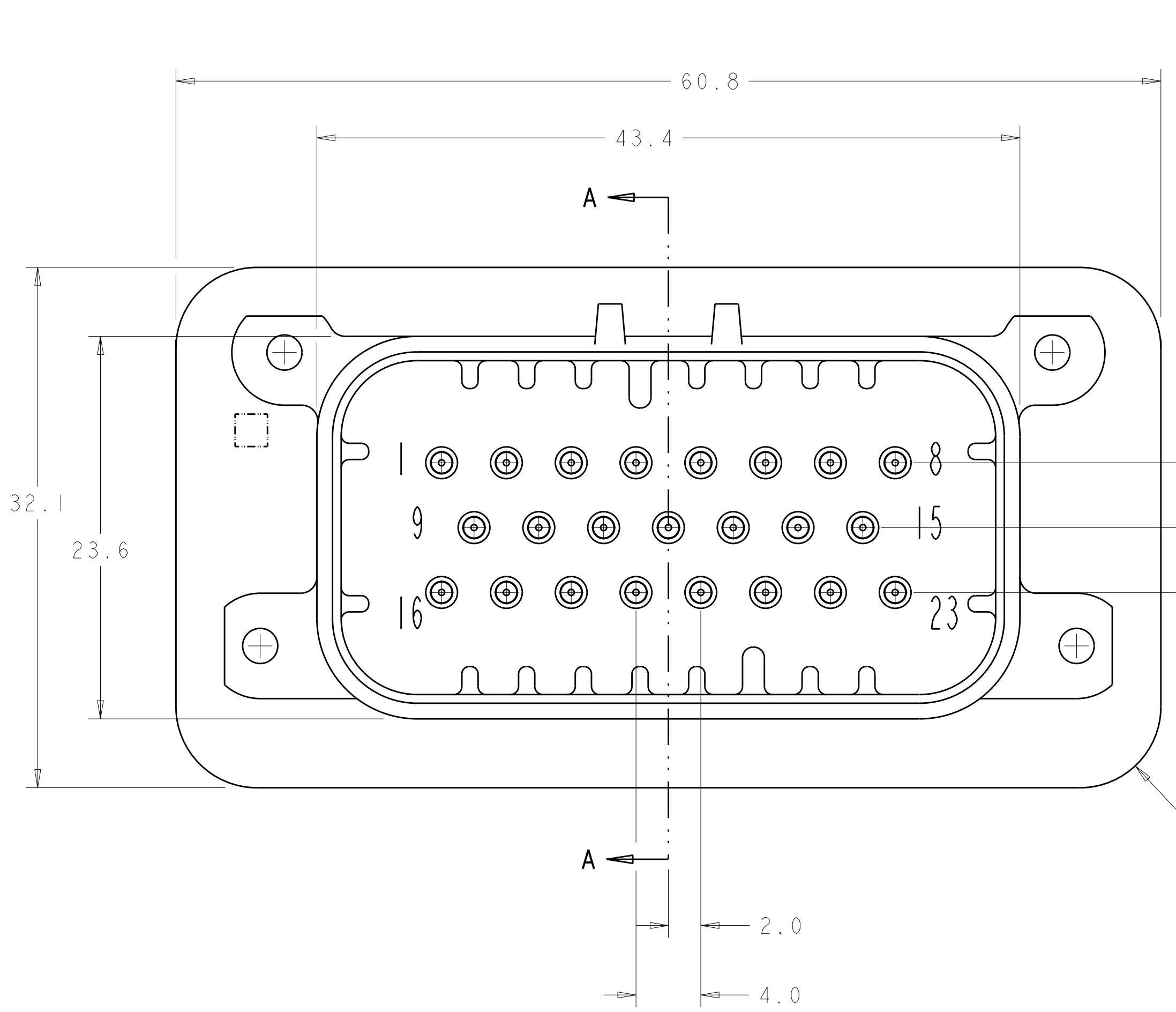
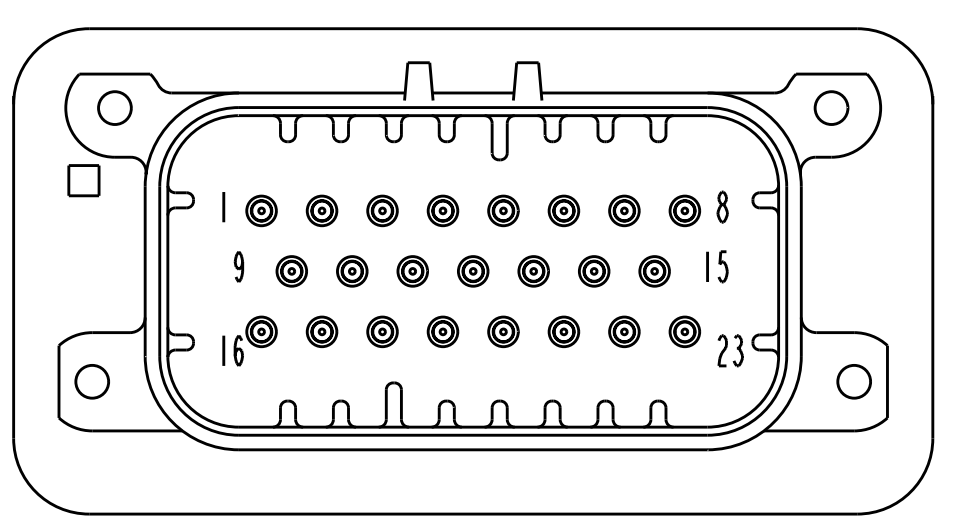
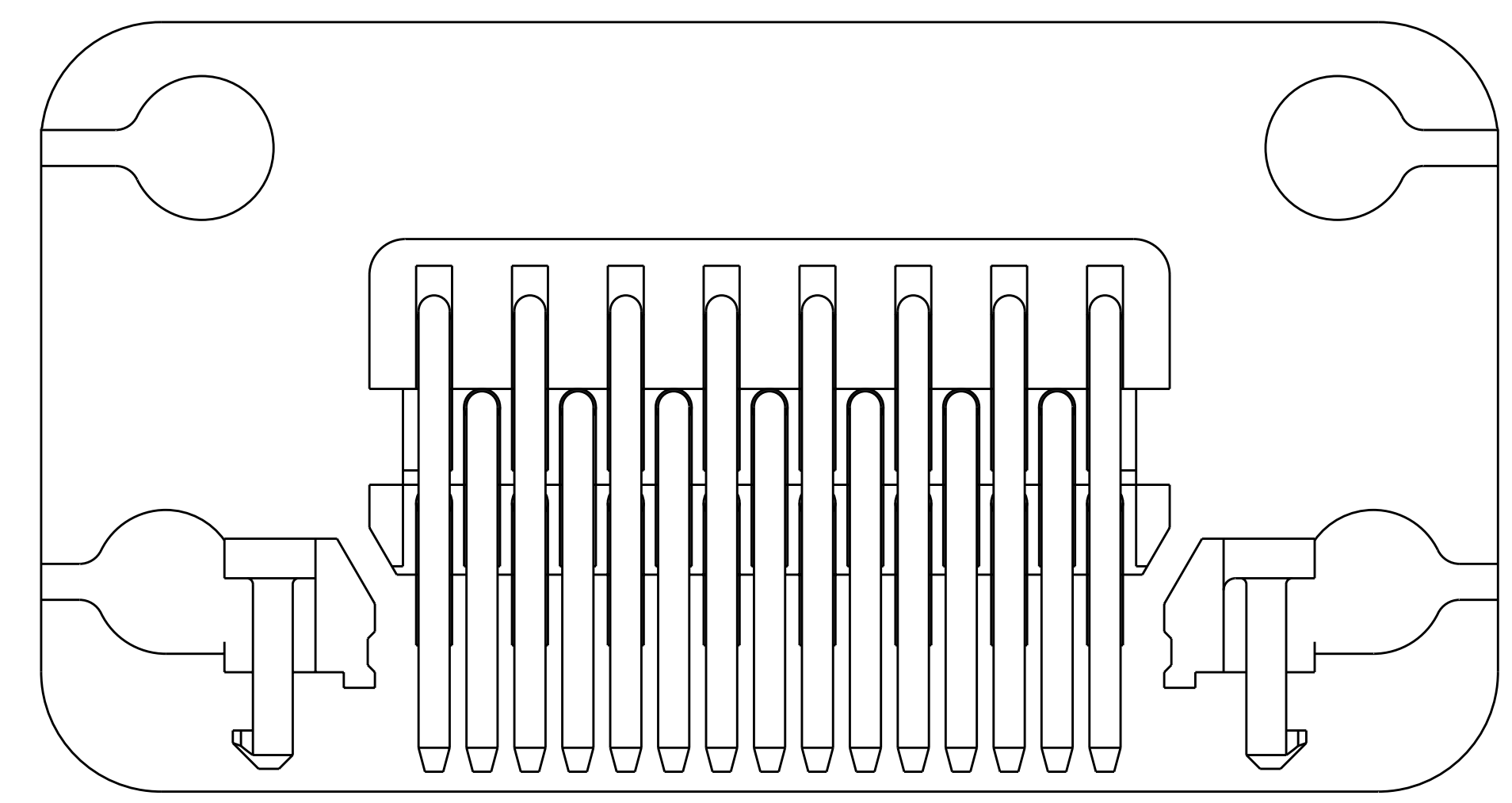


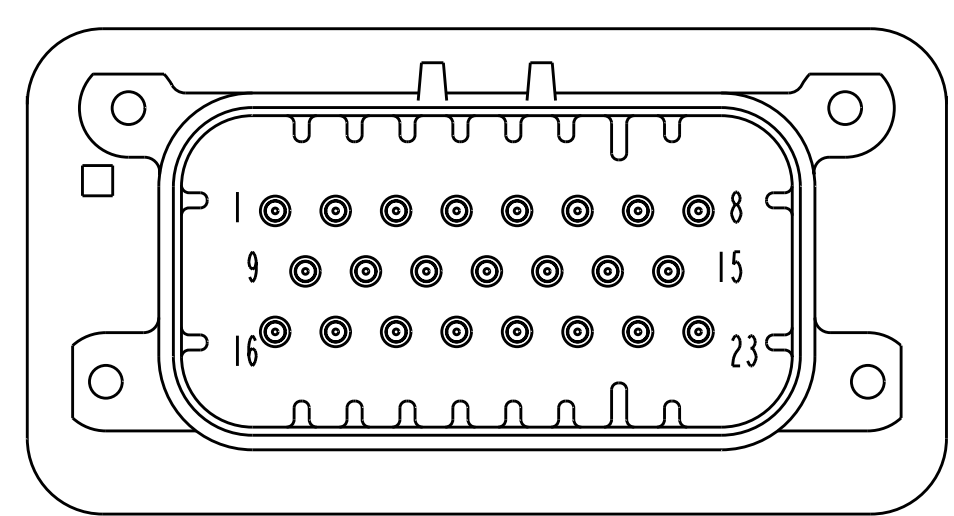
LOC	DIST	REV	DATE	BY	CHK	APPV
GE	00	K4	11MAR2011	RK	HMR	



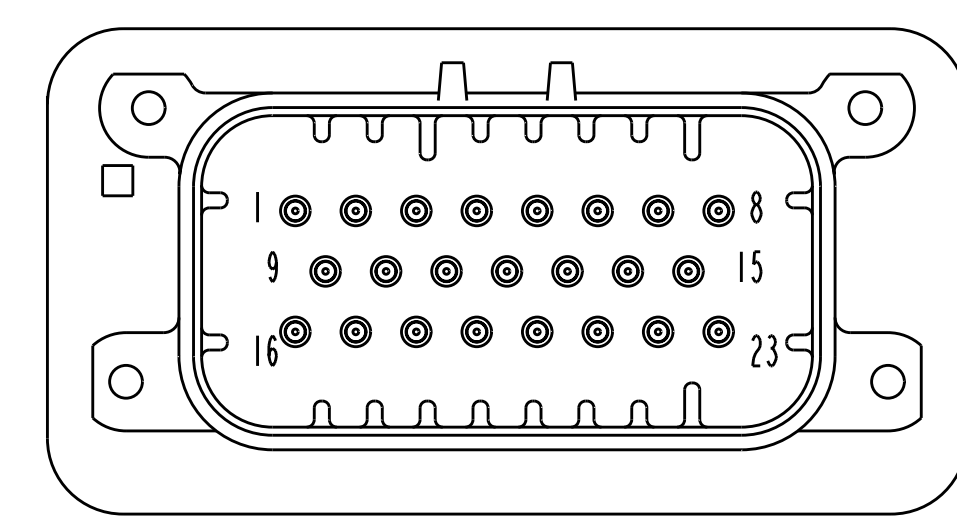
- 1 ACCEPTS #4 SELF TAPPING THREAD CUTTING SCREWS OR METRIC EQUIVALENT. DRIVE TO 0.6±0.2 N-m MAX.
- 2 HOUSING COLORS ARE MECHANICALLY KEYPED TO MATE ONLY WITH IDENTICALLY COLORED PLUG ASSEMBLIES.



770669-2 & 1-770669-2
 KEY LOCATION
 SCALE 2:1



770669-4 & 1-770669-4
 KEY LOCATION
 SCALE 2:1



770669-5 & 1-770669-5
 KEY LOCATION
 SCALE 2:1

770669-1 & 1-770669-1
 KEY LOCATION AS SHOWN

MATERIAL	FINISH	MATERIAL	COLOR	PART NUMBER
BRASS	DURAGOLD	PBT	BLUE	1-770669-5
BRASS	DURAGOLD	PBT	GRAY	1-770669-4
BRASS	DURAGOLD	PBT	NATURAL (WHITE)	1-770669-2
BRASS	DURAGOLD	PBT	BLACK	1-770669-1
BRASS	TIN	PBT	BLUE	770669-5
BRASS	TIN	PBT	GRAY	770669-4
BRASS	TIN	PBT	NATURAL (WHITE)	770669-2
BRASS	TIN	PBT	BLACK	770669-1

THIS DRAWING IS A CONTROLLED DOCUMENT.

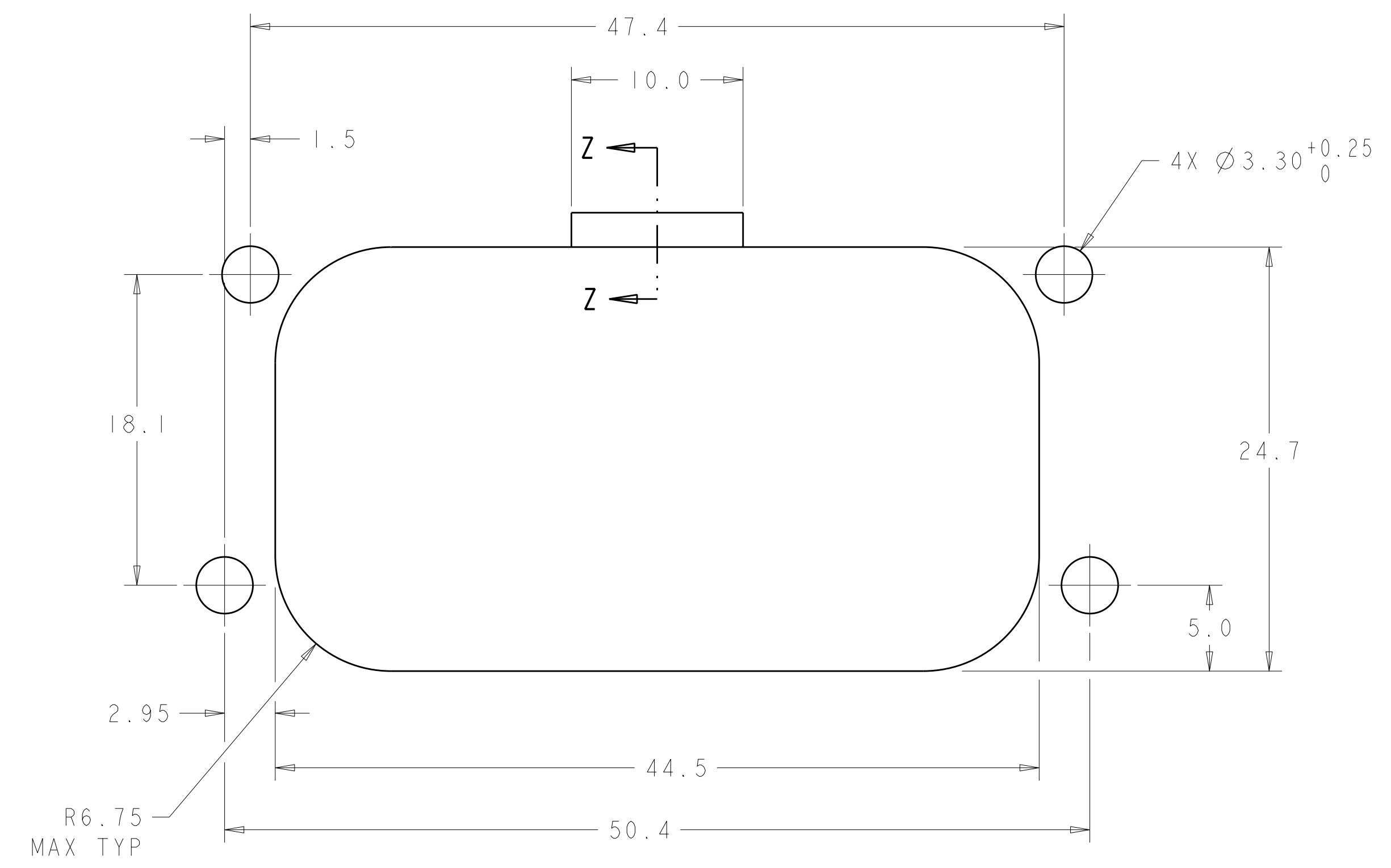
DIMENSIONS:	TOLERANCES UNLESS OTHERWISE SPECIFIED:	DATE	31DEC2002
mm	9 PLC ±0.3	CHK	R. VESTAL
	3 PLC ±0.13	APPV	D. CROWE
	5 PLC ±	DATE	31DEC2002
	4 PLC ±	NAME	
	ANGLES ±	PRODUCT SPEC	
MATERIAL	FINISH	APPLICATION SPEC	
SEE TABLE		WEIGHT	
		CUSTOMER DRAWING	

STE TE Connectivity

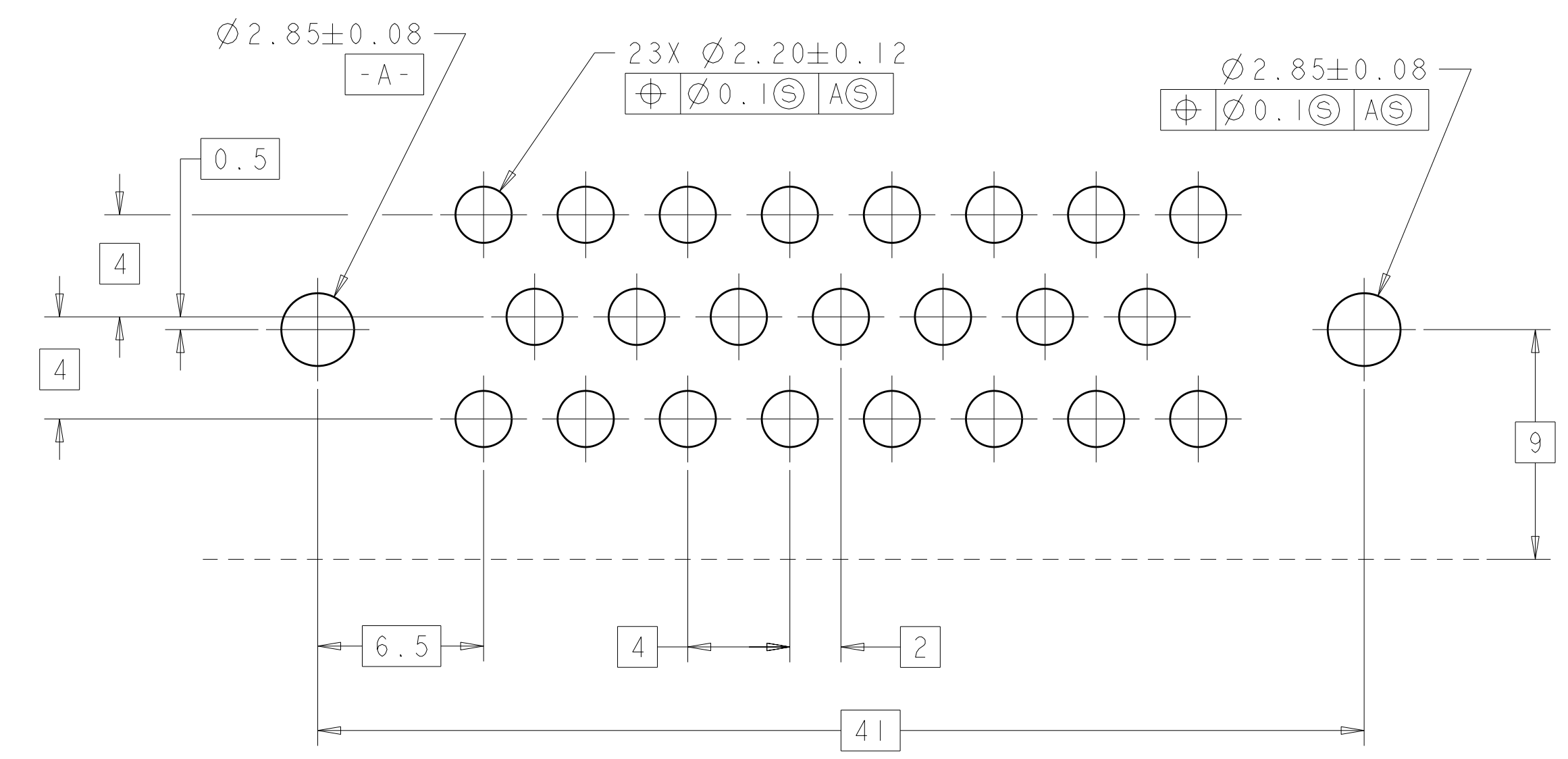
HEADER ASSEMBLY,
 23 POSITION, SNAP-IN,
 AMPSEAL

SIZE: A100779 C=770669
 SCALE: 4:1 SHEET 1 OF 2 REV: K4

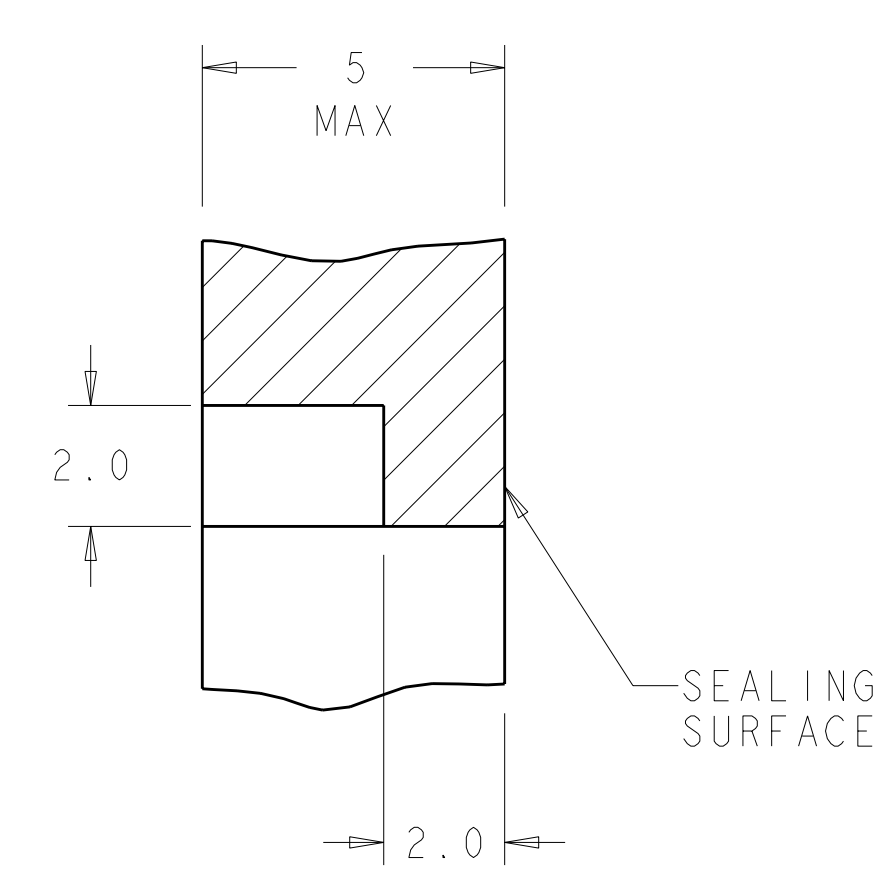
LOC	DIST	REV	DATE	BY	APPD
GE	00				
REVISIONS					
		1	SEE SHEET 1		



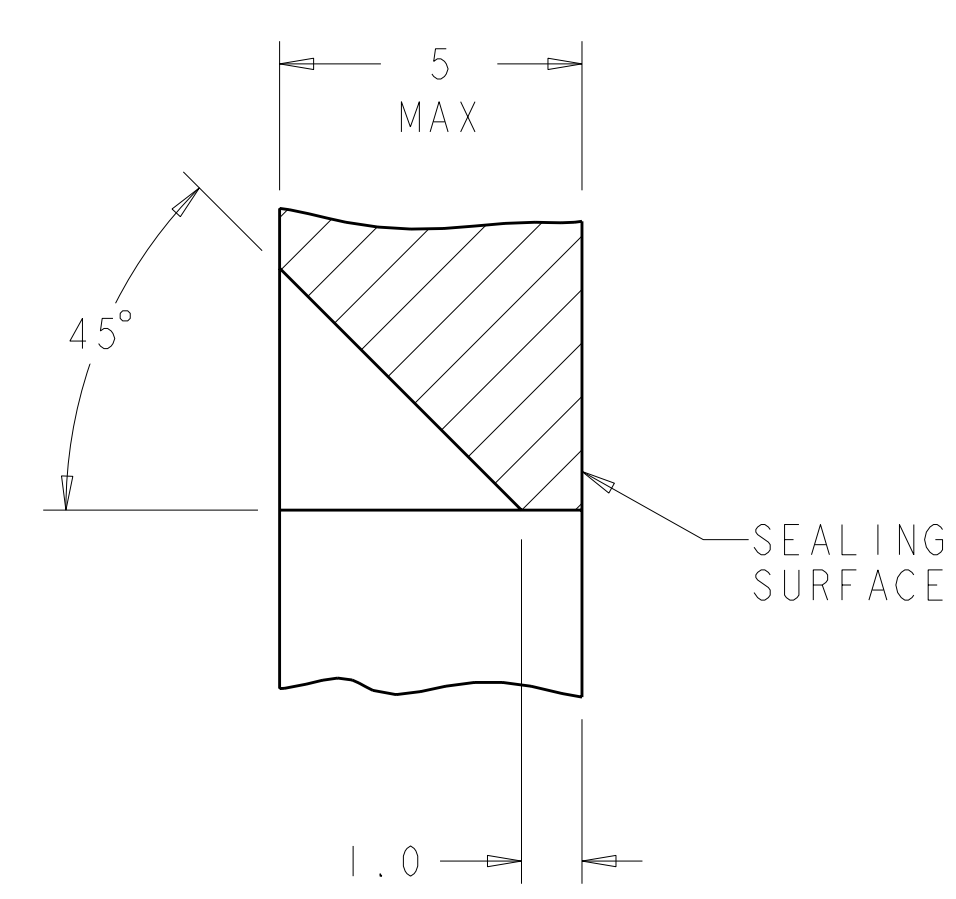
RECOMMENDED MOUNTING HOLE LAYOUT FOR 5.0 MAX THICK PANEL



RECOMMENDED P.C. BOARD LAYOUT FOR 1.57 THICK P.C. BOARD



SECTION Z-Z
OPTIONAL CONSTRUCTION IF THICKNESS IS GREATER THAN 2.0
SCALE 8:1



SECTION Z-Z
OPTIONAL CONSTRUCTION IF THICKNESS IS GREATER THAN 2.0
SCALE 8:1

THIS DRAWING IS A CONTROLLED DOCUMENT.		DWN R. VESTAL	31DEC2002	 TE Connectivity
DIMENSIONS:		CHK D. CROWE	31DEC2002	
TOLERANCES UNLESS OTHERWISE SPECIFIED:		APVD D. CROWE	31DEC2002	
mm		NAME		
0 PLC ± 1 PLC ±0.3 2 PLC ±0.13 3 PLC ± 4 PLC ± ANGLES ± FINISH ±		PRODUCT SPEC APPLICATION SPEC WEIGHT CUSTOMER DRAWING		
MATERIAL SEE TABLE		SIZE CAGE CODE DRAWING NO A100779C=770669		RESTRICTED TO SCALE 4:1 SHEET 2 OF 2 REV K4