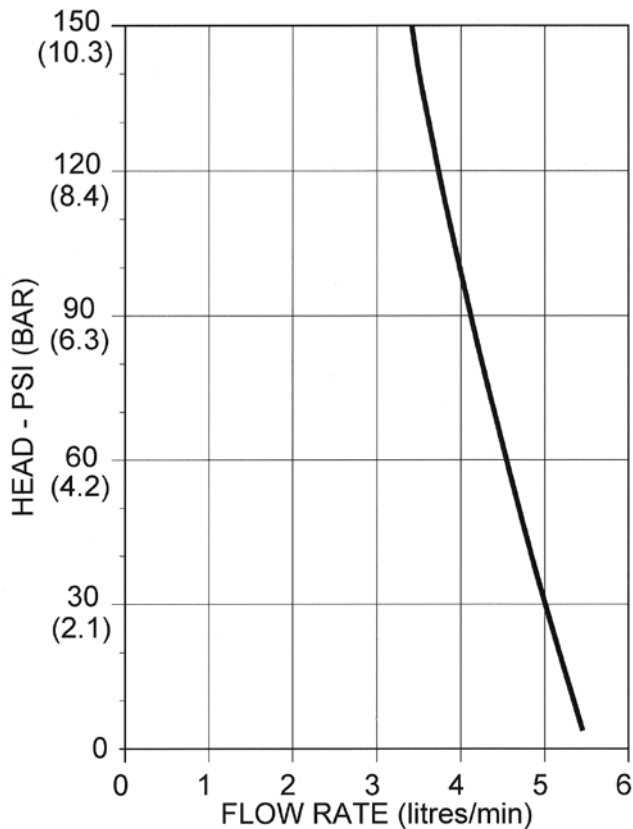




# FLOJET®

**R3811132A 12v dc**  
**R3811332A 24v dc**  
**R3811232A 230v ac**  
**TRIPLEX SERIES**  
**HI-PRESSURE PUMPS**



- ◆ 3 chamber diaphragm pump
- ◆ Corrosion resistant liquid contact parts
- ◆ Intermittent duty
- ◆ Self-priming capability up to 2m; pump can be located above supply tank
- ◆ Can run dry for extended periods of time without damage
- ◆ Can handle liquid temperatures from 4°C to 60°C
- ◆ Ideal for applications such as spraying, misting, transfer of liquids, cooling, dispensing and pressure boosting

**CONNECTIONS:** 3/8" BSP.

**MAXIMUM PRESSURE:** 150 psi (10.3 bar)

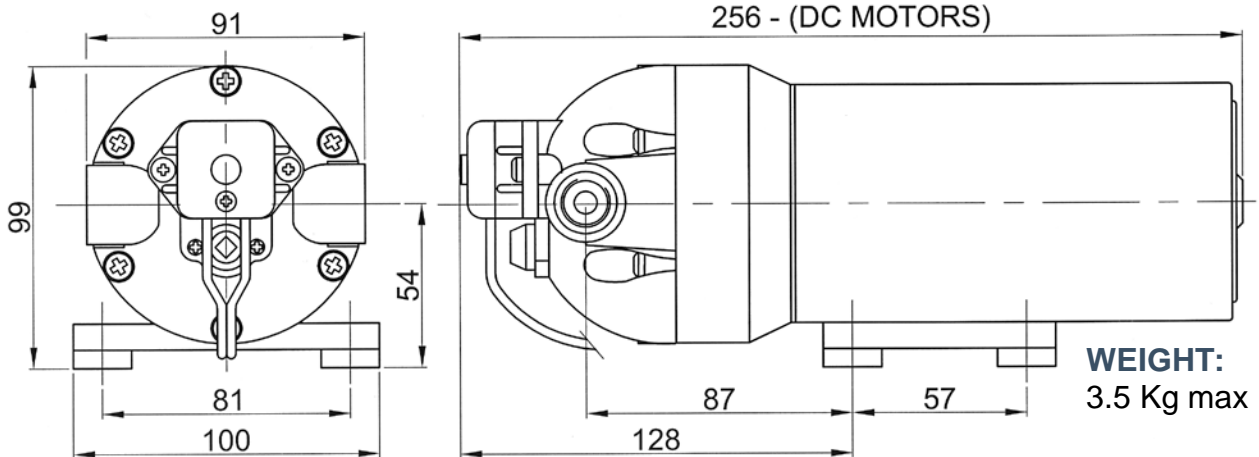
**MATERIALS OF CONSTRUCTION:**

Pump head:	Glass-filled Nylon
Diaphragm	Santoprene®
Valves:	Viton

**OUTPUT:**

Up to 5.5 litres/minute (1.2 gallons/minute)

**AMP DRAW:** 12v dc - 9 amps, 24v dc – 4 amps, 230v ac - 0.55 amps max



Doc674/13