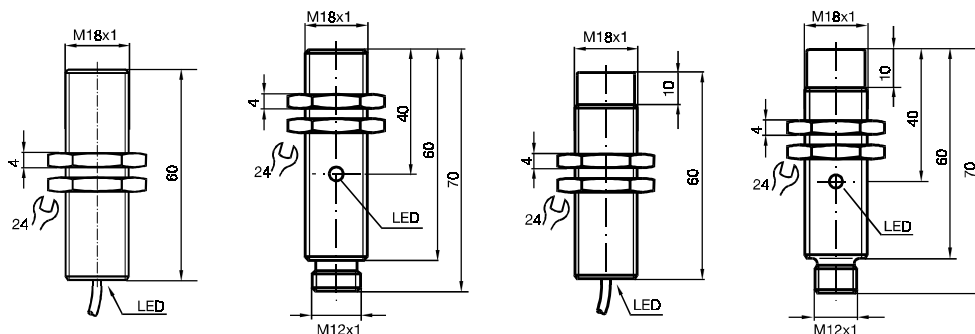


Cylindrical Type

DC

4-wire

Basic series
5 mm embeddable
8 mm not embed.



Operating dist. s _n , mounting	5 mm, embeddable	5 mm, embeddable	8 mm, not embedd.	8 mm, not embedd.
PNP Antivalent	NBB5-18GM60-A2	NBB5-18GM60-A2-V1	NBN8-18GM60-A2	NBN8-18GM60-A2-V1
NPN Antivalent	NBB5-18GM60-A0	NBB5-18GM60-A0-V1	NBN8-18GM60-A0	NBN8-18GM60-A0-V1
Assured operat. dist. s _a [mm]	0 ...4,05	0 ...4,05	0 ...6,48	0 ...6,48
Reduction factor	r _{V2A}	0,66	0,75	0,75
	r _{AI}	0,25	0,45	0,45
	r _{Cu}	0,15	0,4	0,4
Operating voltage U _B [V]	10 ...30	10 ...30	10 ...30	10 ...30
Operational current I _L [mA]	200	200	200	200
Switching frequency [Hz]	800	800	700	700
No-load supply current [mA]	20	20	20	20
Voltage drop [V]	3	3	3	3
Short circuit protection	pulsing	pulsing	pulsing	pulsing
Reverse polarity protection	yes	yes	yes	yes
Output indicator	LED, yellow	LED, yellow	LED, yellow	LED, yellow
Operating temperature [°C]	-25 ...70	-25 ...70	-25 ...70	-25 ...70
In compliance with	EN60947-5-2	EN60947-5-2	EN60947-5-2	EN60947-5-2
Protection to DIN 40050	IP 67	IP 67	IP 67	IP 67
Connection	2 m, PVC-cable	V1- connector	2 m, PVC-cable	V1- connector
Conductor cross section	0,34 mm ²	-	0,34 mm ²	-
Housing material	Brass	Brass	Brass	Brass
Sensing face	PBT	PBT	PBT	PBT

Standard symbol / connection:

