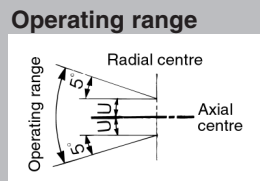
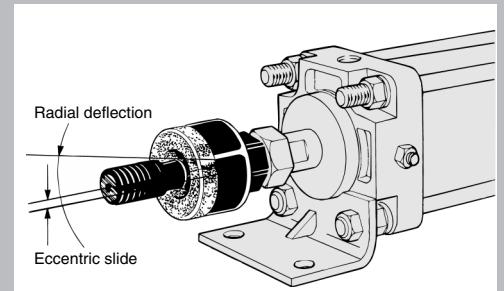


Floating Joint




Series JA/JAH/JB

The floating joint can absorb any “off-centring” or “loss of parallel accuracy” between the cylinder and the driven body.

- ▮ Centring is unnecessary.
- ▮ A high level of machining accuracy is unnecessary.
- ▮ The installation time is dramatically reduced.
- ▮ It is compact and is suitable for high tensile stresses.
- ▮ Long life (with dustproof cover)
- ▮ Rotation angle: $\pm 5^\circ$



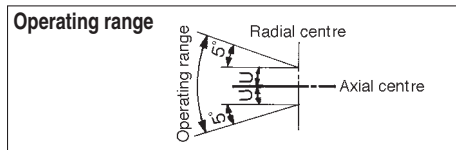
Variations

Series	Operating pressure		Cylinder bore size (mm)	Mounting	Page
	Air cylinder	Hydraulic cylinder			
Series JA 	1MPa or less	3.5MPa or less	6, 10, 15, 20 25, 32, 40, 50 63, 80, 100, 125 140, 160	Basic Flange Foot	6-4
Series JAH (Heavy load) 	—	7MPa or less	40, 50, 63 80, 100	Basic Flange Foot	6-9
Series JB (For compact cylinder) 	1MPa or less	—	12, 16, 20, 25 32, 40, 50, 63 80, 100	Basic (Female thread)	6-12

Floating Joint/Standard Series JA

Specifications

Operating pressure	Air cylinder: $\leq 1\text{MPa}$
	Hydraulic cylinder: $\leq 3.5\text{MPa}$
Mounting	Basic, Flange, Foot



Series JA

⚠ Precautions

Be sure to read before handling. Refer to p.0-39 to 0-46 for Safety Instructions and common precautions.

Mounting

⚠ Warning

- To screw the male threads of the rod into the female threads of the socket or the case, make sure that it does not bottom out. If the floating joint is used with its rod bottom out, the stud will not be able to float, causing damage. Refer to the dimensions (P.5.2-4) for the screw-in depth of the female threads. As a rule, after the rod bottoms out, back off 1 to 2 turns.
- To use a floating joint to connect the cylinder rod to a driven body, secure it in place by applying a torque that is appropriate for the thread size. Also, if there is a risk of loosening during operation, take measures to prevent loosening, such as using a locking pin or thread adhesive. In the event that the connected portion becomes loose, the driven body might lose control or fall off, leading to equipment damage or injury to personnel.

Maintenance

Warning

- Do not reuse if disassembled. High strength adhesive is applied to the portion of the connection that is threaded to prevent it from loosening, and it must not be disassembled. If it is forcefully disassembled, it could lead to damage.

Model/Specifications

Model	Cylinder bore size (mm)	Thread nominal size	Max. operating force (tension/compression) (N)			Allowable eccentricity U (mm)	Rot. angle
			Basic	Flange	Foot		
Standards/Thread nominal size							
JA6-3-050	6	M3	19	—	—	0.5	$\pm 5^\circ$
JA10-4-070	10	M4	54	—	—	0.5	
JA15-5-080	10/15	M5	123	—	—	0.5	
JA15-6-100	15	M6	123	—	—	0.5	
JA□20-8-125	20	M8	1100	1100	1000*	0.5	
JA□30-10-125	25/30	M10 X 1.25	2500	2500	2000*	0.5	
JA□40-14-150	40	M14 X 1.5	6000	4400	4400	0.75	
JA□63-18-150	50/63	M18 X 1.5	11000	11000	9000*	1	
JA□80-22-150	80	M22 X 1.5	18000	18000	14000*	1.25	
JA□100-26-150	100	M26 X 1.5	28000	28000	22000*	2	
JA□140-30-150	125/140	M30 X 1.5	54000	36000*	36000*	2.5	
JA□160-36-150	160	M36 X 1.5	71000	55000*	55000*	3	
Options/Thread nominal size							
JA□20-8-100	20	M8 X 1	1100	1100	1000*	0.5	$\pm 5^\circ$
JA□25-10-150	25	M10 X 1.5	2500	2500	2000	0.5	
JA□32-10-100	32	M10 X 1	2500*	2500*	2000*	0.5	
JA□40-12-125	30/40	M12 X 1.25	4400	4400	4400	0.75	
JA□40-12-150	40	M12 X 1.5	4400	4400	4400	0.75	
JA□40-12-175	30/40	M12 X 1.75	4400	4400	4400	0.75	
JA□50-16-150	50	M16 X 1.5	11000	11000	9000	1	
JA□63-16-200	50/63	M16 X 2	11000	11000	9000*	1	
JA□80-20-250	80	M20 X 2.5	18000	18000	14000*	1.25	
JA□100-24-300	100	M24 X 3	28000	28000	22000*	2	
JA□100-27-150	100	M27 X 1.5	28000	28000	22000*	2	
JA□125-27-200	125	M27 X 2	28000*	28000*	22000*	2	
JA□160-33-200	160	M33 X 2	71000	55000*	55000*	3	
JA160-36-200	160	M36 X 2	71000	—	—	3	

* In case of hydraulic cylinder 3.5MPa, use it within max. operating force.

* Applicable cylinder bore sizes are approximate. Look at the thread size to select the product.

How to Order

JA F 40 — 14-150

Mounting	
—	Basic
F	Flange
L	Foot

Applicable cylinder bore size (mm)		
Model	Symbol	Applicable cylinder bore size (mm)
Standard	6	6
	10	10
	15	10/15
	20	20/25
	30	25/30
	40	40
	63	50/63
	80	80
	100	100
	140	125/140
160	160	

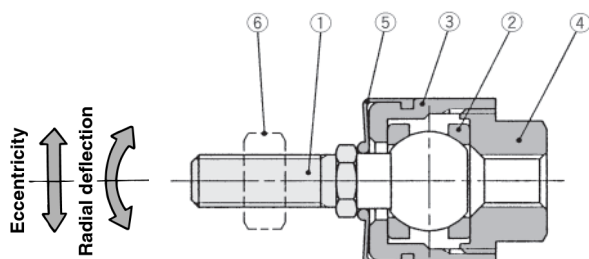
Thread nominal size (Standard)

Nominal size	Applicable cylinder thread nominal size
3-050	M3
4-070	M4
5-080	M5
6-100	M6
8-125	M8
10-125	M10 X 1.25
14-150	M14 X 1.5
18-150	M18 X 1.5
22-150	M22 X 1.5
26-150	M26 X 1.5
30-150	M30 X 1.5
36-150	M36 X 1.5

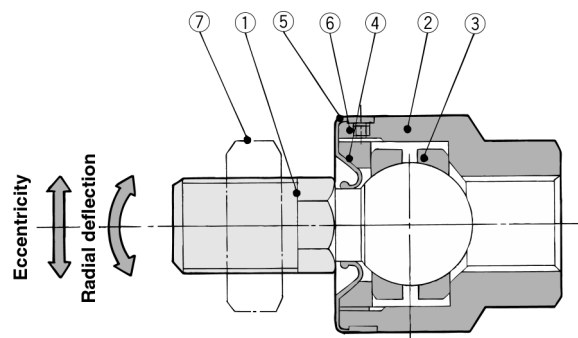
* Applicable cylinder bore sizes are approximate. Look at the thread size to select the product.

Construction

ø6 to ø15



ø20 to ø160



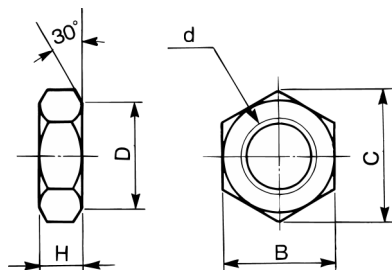
Component Parts

No.	Description	Material
①	Stud	Shaving steel
②	Case	Brass
③	Ring	Carbon steel
④	Socket	Brass
⑤	Dust cover	Synthetic rubber
⑥	Rod end nut	Low carbon steel wire rods

No.	Description	Material
①	Stud	Chrome-molybdenum steel
②	Case	Carbon steel
③	Ring	Chrome-molybdenum steel
④	Cap	Carbon steel
⑤	Dust cover	Synthetic rubber
⑥	Set screw	Carbon steel
⑦	Rod end nut	Carbon steel
⑧	Flange	Rolled steel plate
⑨	Foot	Rolled steel plate

Accessories Dimensions

Rod end nut



d: Thread nominal size	H	B	C	D
M3	2.4	5.5	6.4	5.3
M4	3.2	7	8.1	6.8
M5	4	8	9.2	7.8
M6	5	10	11.5	9.8
M8 X 1	5	13	15	12.5
M8	5	13	15	12.5
M10 X 1	6	17	19.6	16.5
M10 X 1.25	6	17	19.6	16.5
M10	6	17	19.6	16.5
M12 X 1.25	7	19	21.9	18
M12 X 1.5	7	19	21.9	18
M12	7	19	21.9	18
M14 X 1.5	8	22	25.4	21
M16 X 1.5	10	24	27.7	23
M16	10	24	27.7	23
M18 X 1.5	11	27	31.2	26

d: Thread nominal size	H	B	C	D
M20 X 1.5	12	30	34.6	29
M20	12	30	34.6	29
M22 X 1.5	13	32	37	31
M24 X 1.5	14	36	41.6	34
M24 X 2	14	36	41.6	34
M24	14	36	41.6	34
M26 X 1.5	16	41	47.3	39
M27 X 1.5	16	41	47.3	39
M27 X 2	16	41	47.3	39
M30 X 1.5	18	46	53.1	44
M30 X 2	18	46	53.1	44
M33 X 2	20	50	57.7	48
M36 X 1.5	21	55	63.5	53
M39 X 1.5	23	60	69.3	57
M42 X 3	25	65	75	62
M48 X 1.5	29	75	86.5	72

Floating joint replacement parts



∑Dust cover

Order with the following part no. if dust cover is damaged.

Replaceable dust cover is only for the basic style. Flange styles and foot styles cannot be replaced.

Part No. of dust cover	Applicable model
P2152051	JA6, JA10
P2152052	JA15, JB12, JB16
P215215	JA20, JB20
P215225	JA30, JB30
P215235	JA40, JB40
P215245	JA63, JA50, JB63

Part No. of dust cover	Applicable model
P215255	JA80, JAH40, JB80
P215265	JA100, JAH50, JB100
P215275	JA125, JAH63
P215285	JA140, JAH80, JB140
P215295	JA160, JAH100, JB160

∑Rod end nut

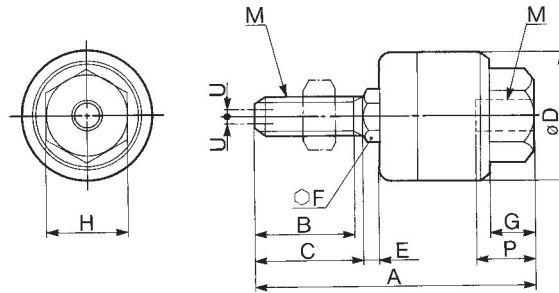
If rod end nut for the basic style of JA and JAH is needed, order it as follows:

Example) JA40-14-150 NUT

Series JA

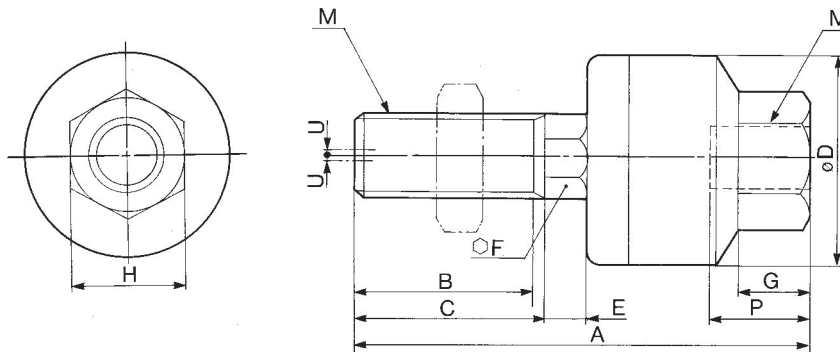
Basic/JA6 to JA160

JA6 to 15

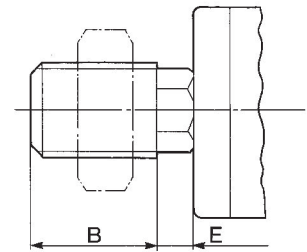


Use the precision spanner for clock 4mm in case of mounting male thread of JA6 and JA10.

JA20 to 160



Without C-dimension



Cylinder bore size	Model	M		A	B	C	D	E	F	G	H	Max. thread depth P	Allowable eccentricity U	Max. operating force (tension/compression) (N)	Weight (kg)
		Nominal size	Pitch												
Standards Air cylinder: Max. 1MPa Hydraulic cylinder: Max. 3.5MPa															
6	JA6-3-050	3	0.5	23.2	7	8	12	1.5	4	3.2	5.5	5	0.5	19	0.01
10 (CJ1)	JA10-4-070	4	0.7	26	9	10	12	1.5	4	4	7	5.5	0.5	54	0.01
10 (CZ1)/15 (CJ1)	JA15-5-080	5	0.8	34.5	12.5	14	16	2	6	5	10	7	0.5	123	0.02
15 (CZ1)	JA15-6-100	6	1	34.5	12.5	14	16	2	6	5	10	7	0.5	123	0.02
20	JA20-8-125	8	1.25	44	17.5	—	21	4.5	7	7	13	8	0.5	1100	0.05
25/30	JA30-10-125	10	1.25	49.5	19.5	—	24	5	8	8	17	9	0.5	2500	0.07
40	JA40-14-150	14	1.5	60	20	—	31	6	11	11	22	13	0.75	6000	0.16
50/63	JA63-18-150	18	1.5	74.5	25	—	41	7.5	14	13.5	27	15	1	11000	0.31
80	JA80-22-150	22	1.5	89.5	29	—	50	9.5	19	16	32	18	1.25	18000	0.58
100	JA100-26-150	26	1.5	110	35	—	59.5	11.5	24	20	41	24	2	28000	1.08
125/140	JA140-30-150	30	1.5	152	42	45	79	14	30	22	46	38	2.5	54000	2.7
160	JA160-36-150	36	1.5	178	52	55	96	16	36	24	55	42	3	71000	4.7

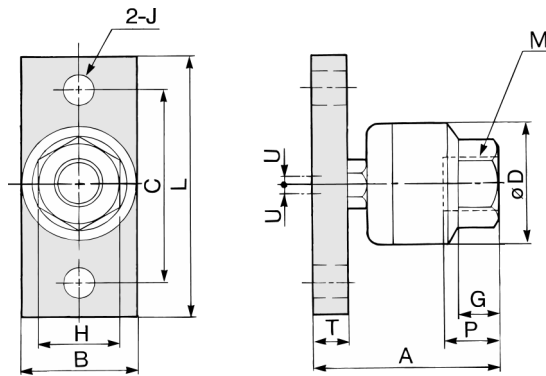
Options Air cylinder: Max. 1MPa Hydraulic cylinder: Max. 3.5MPa

20	JA20-8-100	8	1	44	17.5	—	21	4.5	7	7	13	8	0.5	1100	0.05
25	JA25-10-150	10	1.5	49.5	19.5	—	24	5	8	8	17	9	0.5	2500	0.07
32	JA32-10-100	10	1	49.5	19.5	—	24	5	8	8	17	9	0.5	2500*	0.07
30/40	JA40-12-125	12	1.25	60	20	—	31	6	11	11	22	13	0.75	4400	0.16
40	JA40-12-150	12	1.5	60	20	—	31	6	11	11	22	13	0.75	4400	0.16
30/40	JA40-12-175	12	1.75	60	20	—	31	6	11	11	22	13	0.75	4400	0.16
50	JA50-16-150	16	1.5	71.5	22	—	41	7.5	14	13.5	27	15	1	11000	0.3
50/63	JA63-16-200	16	2	71.5	22	—	41	7.5	14	13.5	27	15	1	11000	0.3
80	JA80-20-250	20	2.5	90.5	27	30	50	9.5	19	16	32	18	1.25	18000	0.6
100	JA100-24-300	24	3	110	32	35	59.5	11.5	24	20	41	24	2	28000	1.05
100	JA100-27-150	27	1.5	110	35	—	59.5	11.5	24	20	41	24	2	28000	1.08
125	JA125-27-200	27	2	123	34	38	66	13	27	20	41	24	2	28000*	1.5
160	JA160-33-200	33	2	165	38	42	96	16	36	24	55	42	3	71000	4.5
160	JA160-36-200	36	2	178	51	55	96	16	55	24	55	42	3	71000	4.7

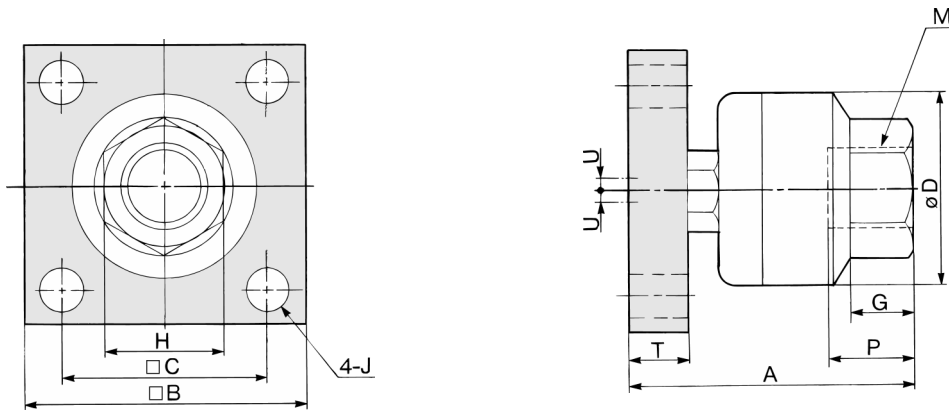
* In case a hydraulic cylinder 3.5MPa, use it within the above max. operating force.

Flange/JAF20 to JAF160

JAF20 to 40



JAF50 to 160



Cylinder bore size	Model	M		A	B	L	C	D	T	J	G	H	Max. thread depth P	Allowable eccentricity U	Max. operating force (tension/compression) (N)	Weight (kg)
		Nominal size	Pitch													
20	JAF20-8-125	8	1.25	32.5	19	48	36	21	6	6.6	7	13	8	0.5	1100	0.08
25/30	JAF30-10-125	10	1.25	36	25	52	40	24	6	6.6	8	17	9	0.5	2500	0.12
40	JAF40-14-150	14	1.5	49	32	70	52	31	9	9	11	22	13	0.75	4400	0.28
50/63	JAF63-18-150	18	1.5	61.5	65	—	45	41	12	9	13.5	27	15	1	11000	0.63
80	JAF80-22-150	22	1.5	76.5	75	—	55	50	16	11	16	32	18	1.25	18000	1.15
100	JAF100-26-150	26	1.5	94	90	—	65	59.5	19	11	20	41	24	2	28000	2.07
125/140	JAF140-30-150	30	1.5	131	125	—	82	79	24	18	22	46	38	2.5	36000*	5.2
160	JAF160-36-150	36	1.5	152	150	—	100	96	29	22	24	55	42	3	55000*	9

Options Air cylinder: Max. 1MPa Hydraulic cylinder: Max. 3.5MPa

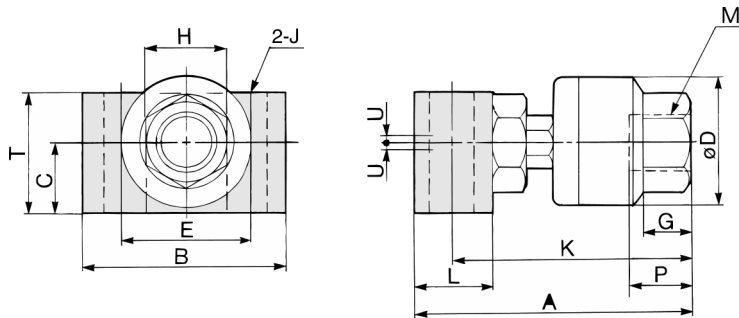
20	JAF20-8-100	8	1	32.5	19	48	36	21	6	6.6	7	13	8	0.5	1100	0.08
25	JAF25-10-150	10	1.5	36	25	52	40	24	6	6.6	8	17	9	0.5	2500	0.12
32	JAF32-10-100	10	1	36	25	52	40	24	6	6.6	8	17	9	0.5	2500*	0.12
30/40	JAF40-12-125	12	1.25	49	32	70	52	31	9	9	11	22	13	0.75	4400	0.28
40	JAF40-12-150	12	1.5	49	32	70	52	31	9	9	11	22	13	0.75	4400	0.28
30/40	JAF40-12-175	12	1.75	49	32	70	52	31	9	9	11	22	13	0.75	4400	0.28
50	JAF50-16-150	16	1.5	61.5	65	—	45	41	12	9	13.5	27	15	1	11000	0.63
50/63	JAF63-16-200	16	2	61.5	65	—	45	41	12	9	13.5	27	15	1	11000	0.63
80	JAF80-20-250	20	2.5	76.5	75	—	55	50	16	11	16	32	18	1.25	18000	1.15
100	JAF100-24-300	24	3	94	90	—	65	59.5	19	11	20	41	24	2	28000	2.07
100	JAF100-27-150	27	1.5	94	90	—	65	59.5	19	11	20	41	24	2	28000	2.07
125	JAF125-27-200	27	2	106	100	—	72	66	21	18	20	41	24	2	28000*	2.8
160	JAF160-33-200	33	2	152	150	—	100	96	29	22	24	55	42	3	55000*	9

* In case of a hydraulic cylinder 3.5MPa, use it within the above max. operating force.

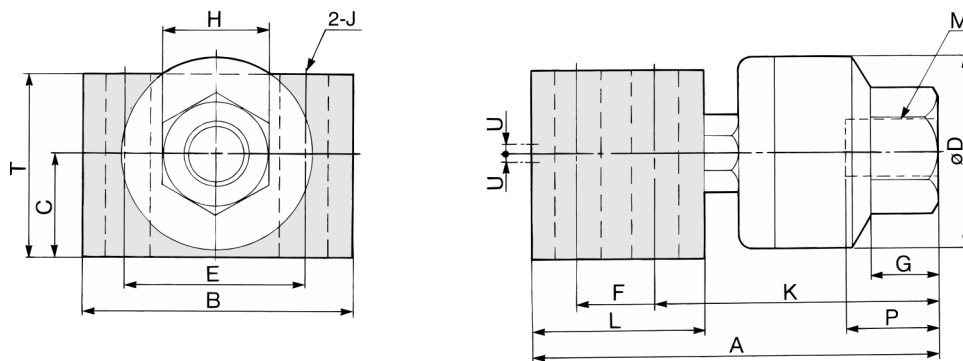
Series JA

Foot/JAL20 to JAF160

JAL20 to 100



JAL125 to 160



Cylinder bore size	Model	M		A	B	C	D	E	F	K	L	T	J	G	H	Max. thread depth P	Allowable eccentricity U	Max. operating force (tension/compression) (N)	Weight (kg)
		Nominal size	Pitch																
20	JAL20-8-125	8	1.25	44	30	11.5	21	18	—	38	12	19	6.6	7	13	8	0.5	1000*	0.09
25/30	JAL30-10-125	10	1.25	52	42	14	24	24	—	44	16	25	9	8	17	9	0.5	2000*	0.18
40	JAL40-14-150	14	1.5	67	52	17.5	31	30	—	57.5	19	30	11	11	22	13	0.75	4400	0.36
50/63	JAL63-18-150	18	1.5	82.5	56	23	41	34	—	71.5	22	38	11	13.5	27	15	1	9000*	0.61
80	JAL80-22-150	22	1.5	98.5	70	28	50	42	—	86	25	47	14	16	32	18	1.25	14000*	1.09
100	JAL100-26-150	26	1.5	123	80	35	59.5	48	—	107	32	58	16	20	41	24	2	22000*	2.03
125/140	JAL140-30-150	30	1.5	187	96	45	79	60	44	125	80	79	18	22	46	38	2.5	36000*	6.4
160	JAL160-36-150	36	1.5	213	116	55	96	74	48	144	90	89	22	24	55	42	3	55000*	10

Standards Air cylinder: Max. 1MPa Hydraulic cylinder: Max. 3.5MPa

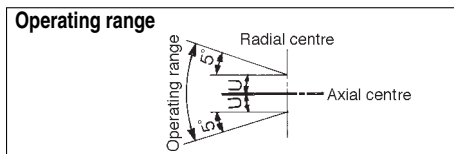
Options		Air cylinder: Max. 1MPa		Hydraulic cylinder: Max. 3.5MPa															
20	JAL20-8-100	8	1	44	30	11.5	21	18	—	38	12	19	6.6	7	13	8	0.5	1000*	0.09
25	JAL25-10-150	10	1.5	52	42	14	24	24	—	44	16	25	9	8	17	9	0.5	2000	0.18
32	JAL32-10-100	10	1	52	42	14	24	24	—	44	16	25	9	8	17	9	0.5	2000*	0.18
30/40	JAL40-12-125	12	1.25	67	52	17.5	31	30	—	57.5	19	30	11	11	22	13	0.75	4400	0.36
40	JAL40-12-150	12	1.5	67	52	17.5	31	30	—	57.5	19	30	11	11	22	13	0.75	4400	0.36
30/40	JAL40-12-175	12	1.75	67	52	17.5	31	30	—	57.5	19	30	11	11	22	13	0.75	4400	0.36
50	JAL50-16-150	16	1.5	82.5	56	23	41	34	—	71.5	22	38	11	13.5	27	15	1	9000	0.61
50/63	JAL63-16-200	16	2	82.5	56	23	41	34	—	71.5	22	38	11	13.5	27	15	1	9000*	0.61
80	JAL80-20-250	20	2.5	98.5	70	28	50	42	—	86	25	47	14	16	32	18	1.25	14000*	1.09
100	JAL100-24-300	24	3	123	80	35	59.5	48	—	107	32	58	16	20	41	24	2	22000*	2.03
100	JAL100-27-150	27	1.5	123	80	35	59.5	48	—	107	32	58	16	20	41	24	2	22000*	2.03
125	JAL125-27-200	27	2	155	88	38	66	54	36	102	70	69	14	20	41	24	2	22000*	4.1
160	JAL160-33-200	33	2	213	116	55	96	74	48	144	90	89	22	24	55	42	3	55000*	10

* In case of a hydraulic cylinder 3.5MPa, use it within the above max. operating force.

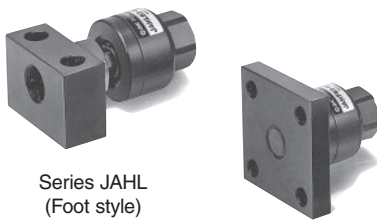
Floating Joint/Heavy Load Style Series JAH

Specifications

Operating pressure	Hydraulic cylinder: $\leq 7\text{MPa}$
Mounting	Basic, Flange, Foot



Series JAH



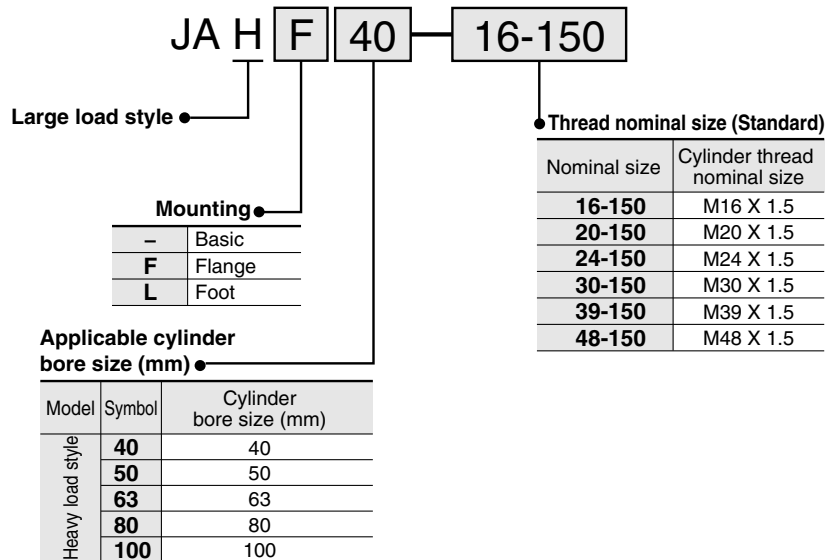
Series JAHL
(Foot style)

Series JAHF
(Flange style)

Model/Specifications

Model	Cylinder bore size (mm)	Thread nominal size	Max. operating force (tension/compression) (N)			Allowable eccentricity U (mm)	Rotation angle
			Basic	Flange	Foot		
Standards/Thread nominal size							
JAH□40-16-150	40	M16 X 1.5	11000	9000	9000	1.25	±5°
JAH□50-20-150	50	M20 X 1.5	18000	14000	14000	2	
JAH□63-24-150	63	M24 X 1.5	28000	22000	22000	2	
JAH□80-30-150	80	M30 X 1.5	54000	36000	36000	2.5	
JAH□100-39-150	100	M39 X 1.5	71000	55000	55000	3	
JAH□100-48-150	100	M48 X 1.5	71000	55000	55000	3	
Options/Thread nominal size							
JAH□63-24-200	63	M24 X 2	28000	22000	22000	2	±5°
JAH□80-30-200	80	M30 X 2	54000	36000	36000	2.5	
JAH□100-42-300	100	M42 X 3	71000	55000	55000	3	

How to Order



⚠ Precautions

Be sure to read before handling. Refer to p.0-39 to 0-46 for Safety Instructions and common precautions.

Mounting

⚠ Warning

- ① To screw the male threads of the rod into the female threads of the socket or the case, make sure that it does not bottom out. If the floating joint is used with its rod bottomed out, the stud will not be able to float, causing damage. Refer to the dimensions (p.5.2-8) for the screw-in depth of the female threads. As a rule, after the rod bottoms out, back off 1 to 2 turns.

- ② To use a floating joint to connect the cylinder rod to a driven body, secure it in place by applying a torque that is appropriate for the thread size. Furthermore, if there is a risk of loosening during operation, take measures to prevent loosening, such as using a locking pin or thread adhesive. In the event that the connected portion becomes loose, the driven body might lose control or fall off, leading to equipment damage or injury to personnel.

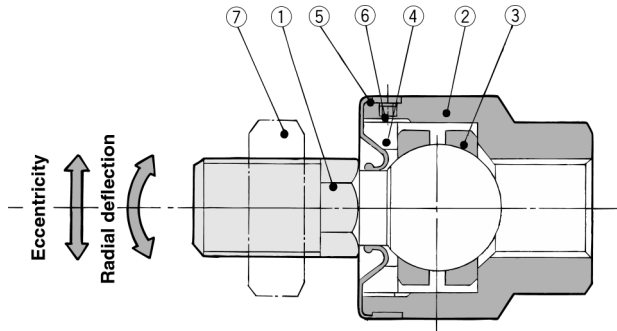
Maintenance

⚠ Warning

- ① Do not reuse if disassembled. High strength adhesive is applied to the portion of the connection that is threaded to prevent it from loosening, and it must not be disassembled. If it is forcefully disassembled, it could lead to damage.

Series JAH

Construction



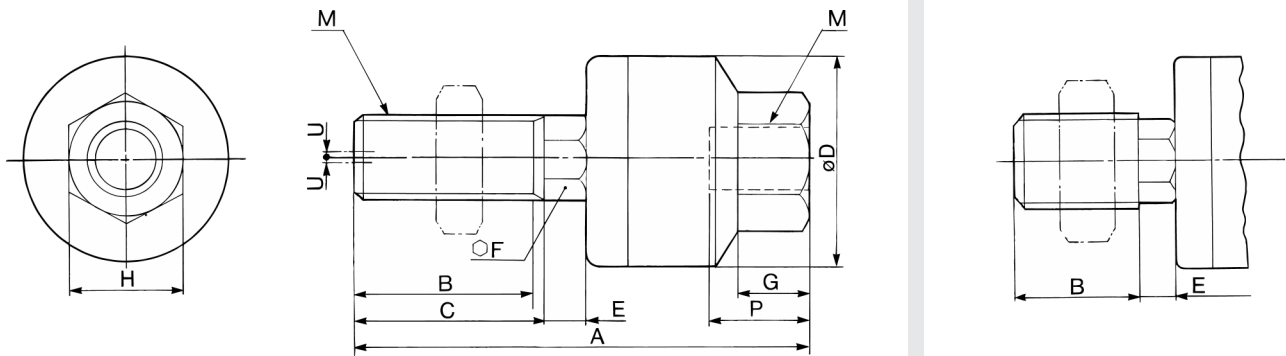
Component Parts

No.	Description	Material
①	Stud	Chrome-molybdenum steel
②	Case	Carbon steel
③	Ring	Chrome-molybdenum steel
④	Cap	Carbon steel
⑤	Dust cover	Synthetic rubber
⑥	Set screw	Carbon steel
⑦	Rod end nut	Carbon steel
⑧	Flange	Rolled steel plate
⑨	Foot	Rolled steel plate

Basic/JAH

JAH40 to 100

Without C-dimension



Cylinder bore size	Model	M		A	B	C	D	E	F	G	H	Max. thread depth P	Allowable eccentricity U	Max. operating force (tension/compression) (N)	Weight (kg)
		Nominal size	Pitch												

Standards/Heavy load style Hydraulic cylinder: Max. 7MPa

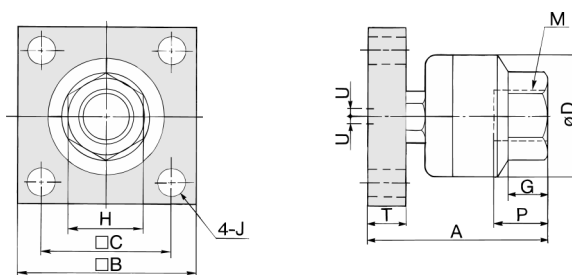
40	JAH40-16-150	16	1.5	85.5	22	25	50	9.5	19	16	32	18	1.25	11000	0.58
50	JAH50-20-150	20	1.5	101	28	31	59.5	11.5	24	16	32	18	2	18000	1.08
63	JAH63-24-150	24	1.5	120	32	35	66	13	27	20	41	24	2	28000	1.5
80	JAH80-30-150	30	1.5	152	42	45	79	14	30	22	46	38	2.5	54000	2.7
100	JAH100-39-150	39	1.5	178	52	55	96	16	36	24	55	42	3	71000	4.8
100	JAH100-48-150	48	1.5	191	61	—	96	16	36	29	70	49	3	71000	5.4

Options/Heavy load style Hydraulic cylinder: Max. 7MPa

63	JAH63-24-200	24	2	120	31	35	66	13	27	20	41	24	2	28000	1.5
80	JAH80-30-200	30	2	152	41	45	79	14	30	22	46	38	2.5	54000	2.7
100	JAH100-42-300	42	3	178	55	—	96	16	36	24	55	42	3	71000	4.8

Flange/JAHF

JAHF40 to 100



(mm)

Cylinder bore size	Model	M		A	B	C	D	T	J	G	H	Max. thread depth P	Allowable eccentricity U	Max. operating force (tension/compression) (N)	Weight (kg)
		Nominal size	Pitch												

Standards/Heavy load style Hydraulic cylinder: Max. 7MPa

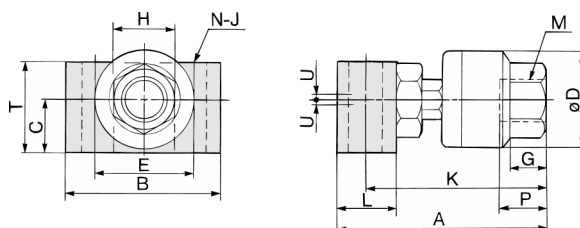
40	JAHF40-16-150	16	1.5	76	75	50	50	15	11	16	32	18	1.25	9000	1.25
50	JAHF50-20-150	20	1.5	89	100	62	59.5	18	14	16	32	18	2	14000	2.5
63	JAHF63-24-150	24	1.5	106	100	72	66	21	18	20	41	24	2	22000	2.8
80	JAHF80-30-150	30	1.5	131	125	82	79	24	18	22	46	38	2.5	36000	5.2
100	JAHF100-39-150	39	1.5	152	150	100	96	29	22	24	55	42	3	55000	9
100	JAHF100-48-150	48	1.5	159	150	100	96	29	22	28	70	49	3	55000	9.3

Options/Heavy load style Hydraulic cylinder: Max. 7MPa

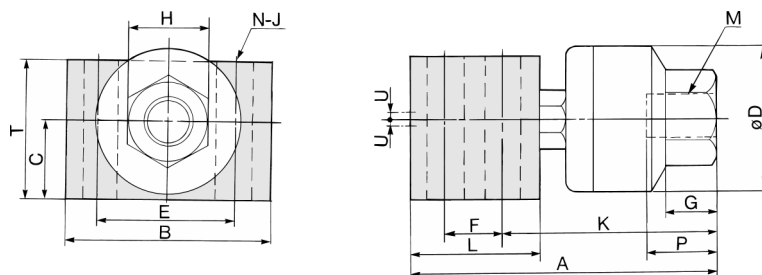
63	JAHF63-24-200	24	2	106	100	72	66	21	18	20	41	24	2	22000	2.8
80	JAHF80-30-200	30	2	131	125	82	79	24	18	22	46	38	2.5	36000	5.2
100	JAHF100-42-300	42	3	152	150	100	96	29	22	24	55	42	3	55000	9

Foot/JAHL

JAHL40/50



JAHL63 to 100



(mm)

Cylinder bore size	Model	M		A	B	C	D	E	F	K	L	T	N	J	G	H	Max. thread depth P	Allowable eccentricity U	Max. operating force (tension/compression) (N)	Weight (kg)
		Nominal size	Pitch																	

Standards/Large load style Hydraulic cylinder: Max. 7MPa

40	JAHL40-16-150	16	1.5	98.5	70	28	50	42	—	86	25	47	2	14	16	32	18	1.25	9000	1.09
50	JAHL50-20-150	20	1.5	123	80	35	59.5	48	—	107	32	58	2	16	20	41	24	2	14000	2.03
63	JAHL63-24-150	24	1.5	155	88	38	66	54	36	102	70	69	4	18	20	41	24	2	22000	4.1
80	JAHL80-30-150	30	1.5	187	96	45	79	60	44	125	80	79	4	18	22	46	38	2.5	36000	6.4
100	JAHL100-39-150	39	1.5	213	116	55	96	74	48	144	90	89	4	22	24	55	42	3	55000	10
100	JAHL100-48-150	48	1.5	220	116	55	96	74	48	151	90	89	4	22	28	70	49	3	55000	10.5

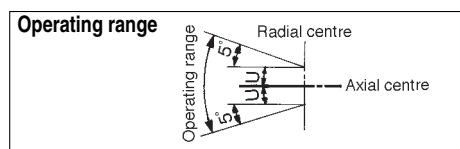
Options/Large load style Hydraulic cylinder: Max. 7MPa

63	JAHL63-24-200	24	2	155	88	38	66	54	36	102	70	69	4	18	20	41	24	2	22000	4.1
80	JAHL80-30-200	30	2	187	96	45	79	60	44	125	80	79	4	18	22	46	38	2.5	36000	6.4
100	JAHL100-42-300	42	3	213	116	55	96	74	48	144	90	89	4	22	24	55	42	3	55000	10

Floating Joint/For Compact Cylinder Series JB

Specifications

Operating pressure	Air pressure compact cylinder $\leq 1\text{MPa}$
--------------------	--

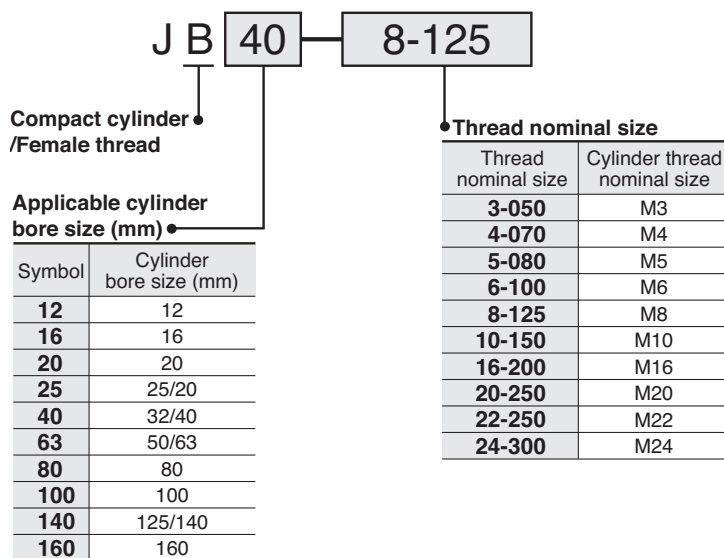


Model/Specifications

Model	Cylinder bore size (mm)	Cylinder thread nominal size	Max. operating force (tension/compression) (N)		Allowable eccentricity U (mm)	Rotation angle
			Compression side	Tension side		
JB12-3-050	12	M3	112	112	0.5	$\pm 5^\circ$
JB16-4-070	16	M4	200	200	0.5	
JB20-5-080	20	M5	1100	300	0.5	
JB25-6-100	25	M6	2500	500	0.5	
JB40-8-125	32/40	M8	6000	1300	0.75	
JB63-10-150	50/63	M10	11000	3100	1	
JB80-16-200	80	M16	18000	5000	1.25	
JB100-20-250	100	M20	28000	7900	2	
JB140-22-250	125/140	M22	54000	15300	2.5	
JB160-24-300	160	M24	71000	20000	3	

* Applicable cylinder bore sizes are approximate.
Look at the thread size to select the product.

How to Order



* Applicable cylinder bore sizes are approximate.
Look at the thread size to select the product.

⚠ Precautions

Be sure to read before handling.
Refer to p.0-39 to 0-46 for Safety Instructions and common precautions.

Mounting

⚠ Warning

- To screw the male threads of the rod into the female threads of the socket or the case, make sure that it does not bottom out. If the floating joint is used with its rod bottomed out, the stud will not be able to float, causing damage. Refer to the dimensions (p.5.2-11) for the screw-in depth of the female threads. As a rule, after the rod bottoms out, back off 1 to 2 turns.

- To use a floating joint to connect the cylinder rod to a driven body, secure it in place by applying a torque that is appropriate for the thread size. Also, if there is a risk of loosening during operation, take measures to prevent loosening, such as using a locking pin or thread adhesive. In the event that the connected portion becomes loose, the driven body might lose control or fall off, leading to equipment damage or injury to personnel.

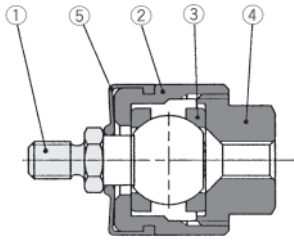
Maintenance

⚠ Warning

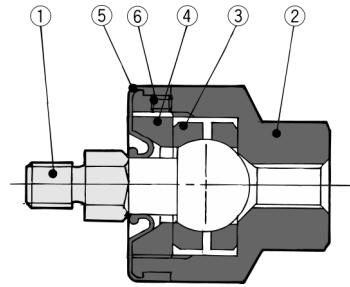
- Do not reuse if disassembled. High strength adhesive is applied to the portion of the connection that is threaded to prevent it from loosening, and it must not be disassembled. If it is forcefully disassembled, it could lead to damage.

Construction

ø12/ø16



ø20 to ø160



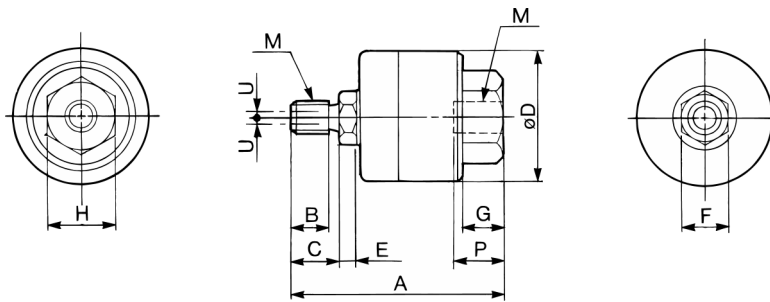
Component Parts

No.	Description	Material
①	Stud	Shaving steel
②	Case	Brass
③	Ring	Carbon steel
④	Socket	Brass
⑤	Dust cover	Synthetic rubber

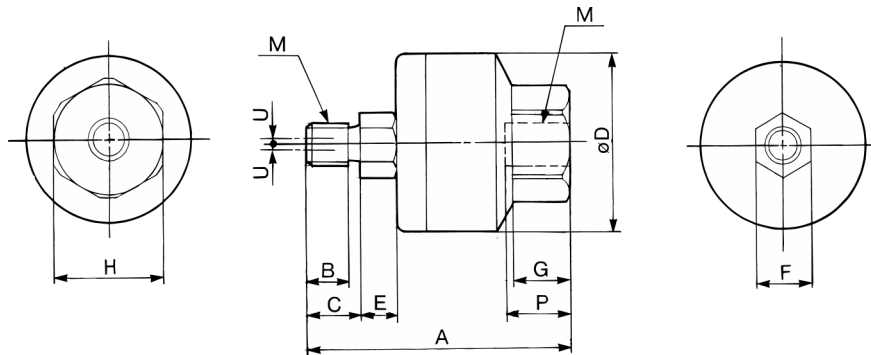
No.	Description	Material
①	Stud	Chrome-molybdenum steel
②	Case	Carbon steel
③	Ring	Chrome-molybdenum steel
④	Cap	Carbon steel
⑤	Dust cover	Synthetic rubber
⑥	Set screw	Carbon steel

Basic/JB

JB16/20



JB20 to 160



Cylinder bore size	Model	M		A	B	C	D	E	F	G	H	Max. thread depth P	Allowable eccentricity U	Max. operating force (tension/compression) (N)		Weight (kg)
		Nominal size	Pitch											Max. operating force (tension/compression) (N)		
														Compression side	Tension side	
12	JB12-3-050	3	0.5	24.5	3	4	16	2	6	5	10	7	0.5	112	112	0.02
16	JB16-4-070	4	0.7	26.5	4.5	6	16	2	6	5	10	7	0.5	200	200	0.02
20	JB20-5-080	5	0.8	33	5	6.5	21	4.5	7	7	13	8	0.5	1100	300	0.04
25	JB25-6-100	6	1	38	6	8	24	5	8	8	17	9	0.5	2500	500	0.07
32/40	JB40-8-125	8	1.25	51	8.5	11	31	6	11	11	22	13	0.75	6000	1300	0.15
50/63	JB63-10-150	10	1.5	62.5	10	13	41	7.5	14	13.5	27	15	1	11000	3100	0.29
80	JB80-16-200	16	2	80.5	16	20	50	9.5	19	16	32	18	1.25	18000	5000	0.56
100	JB100-20-250	20	2.5	101	21	26	59.5	11.5	24	20	41	24	2	28000	7900	1.04
125/140	JB140-22-250	22	2.5	129	18	22	79	14	30	22	46	38	2.5	54000	15300	2.6
160	JB160-24-300	24	3	149	20	26	96	16	36	24	55	42	3	71000	20000	4.5

