

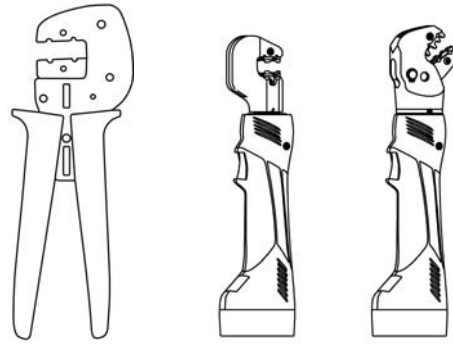










► Product Group 11
Page

Crimping dies for K 50 and EK 15/50 and EK 15/50 G	11.03
Crimping dies for K 18 / EK 18- <i>plus</i> / PK 18 / HK 60/18 / THK 18 / EK 60 UNV + UA 18 / HK 60 UNV + UA 18 / PK 60 UNV + UA 18	11.04 – 11.06
Crimping dies for K 22 / EK 22- <i>plus</i> / PK 22 / HK 60/22 / THK 22 / EK 60 UNV + UA 22 / HK 60 UNV + UA 22 / PK 60 UNV + UA 22	11.07 – 11.10
Crimping dies for EK 35/4	11.11 – 11.13
Crimping dies for HK 12/2 / HK 12/2 EL / HK 120/25 / HK 120/42 / HK 120 U / EK 120/25 / EK 120/42 / EK 120 U- <i>plus</i> / PK 120/38 / PK 120 U	11.14 – 11.17
Crimping dies for HK 25/2 / PK 25/2 / HK 25/2 EL	11.18 – 11.21
Crimping dies for HK 45 / PK 45	11.22

CRIMPING DIES

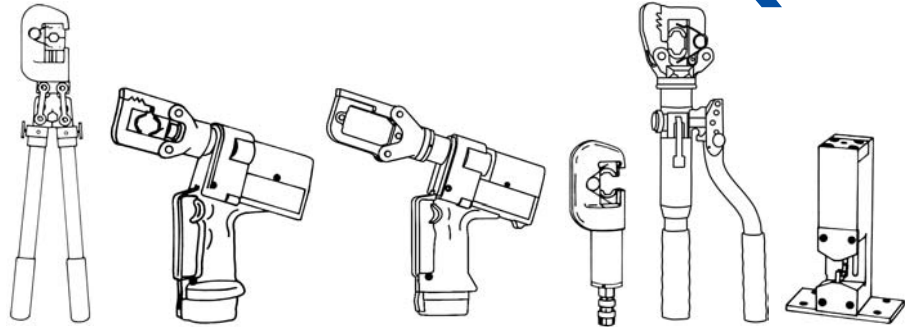
for K 50 / EK 15/50 / EK 15/50 G



	Cu-tubular cable lugs Connectors	Indent crimping				
		mm ²	0.75 – 2.5	4 – 10		
		Part No.	R 50/1	R 50/2		
	Cu-tubular cable lugs and connectors for solid conductors	Hexagonal crimping				
		mm ²	1.5 – 2.5 4	6 10		
		Part No.	M 50/1.5 – 4	M 50/6 – 10		
	Solderless terminals DIN 46234 Pin terminals DIN 46230	Indent crimping				
		mm ²	0.5 – 10			
		Part No.	Q 50/1			
	Cable end-sleeves	Trapezoid crimping				
		mm ²	0.14 – 6	10 – 25	35 – 50	
		Part No.	AE 50/1	AE 50/2	AE 50/3	
	Insulated cable connections	Double crimping		Single crimping		
		mm ²	0.5 – 6	10 – 16		
		for Part		insulated terminals, insulated pin terminals		
		Part No.	IS 50/1	IS 50/2		
		Double crimping		Single crimping		Single crimping
		0.1 – 0.4	0.5 – 1	mm ²	0.5 – 2.5	4 – 6
			820/1 – 820/1 B	for Part	670 WS, 680 WS	700 WS
	IS 50/3	Part No.	IS 50/4	IS 50/5		
	Non insulated cable connections	Roll crimping				
		mm ²	0.5 – 6	0.5 – 2.5	0.1 – 1	
		width mm	6.3	4.8	2.8	
		Part No.	CR 50/1	CR 50/2		
		mm ²	0.5 – 1	0.5 – 1	1.5 – 2.5	0.5 – 1.5
		width mm	2.8	6.3	6.3	6.3
		for Part	3820/1. 3820/1 A	3720	3735	3725
		Part No.	CR 50/3	CR 50/4		CR 50/5
	BNC plugs	Hexagonal crimping, pin and sleeve				
		mm ²	Coax cable RG 58, 59, 62, 71			
		Part No.	BNC 50/1			
	Turned pin connectors and receptacles	Four directional indent crimping				
		mm ²	0.1 – 1 / 1.5 – 2.5 / 4			
		Part No.	SB 50/1			

CRIMPING DIES

for K 18 / EK 18-*plus* /
EK 60 UNV + UA 18 /
PK 18 / HK 60/18 / THK 18 /
HK 60 UNV + UA 18 /
PK 60 UNV + UA 18



Tubular cable lugs and connectors*
"standard type"



Hexagon crimping, width 5 mm						
mm ²	6	10	16	25	35	50
Part No.	R 6	R 10	R 16	R 25	R 35	R 50
mm ²	70	95	120	150	185	
Part No.	R 70	R 95	R 120	R 150	R 185	

Cu-Tubular cable lugs and
connectors for solid conductors



Hexagon crimping						
mm ²	1.5 - 2.5	4	6	10		
Part-No.	M 1.5 - 4		M 6 - 10			

Compression cable lugs
DIN 46235
Compression joints
DIN 46267, part 1



Hexagon crimping, width 5 mm						
mm ²	6	10	16	25	35	50
die code	5	6	8	10	12	14
Part No.	D 6	D 10	D 16	D 25	D 35	D 50
mm ²	70	95	120	150	185	
die code	16	18	20	22	25	
Part No.	D 70	D 95	D 120	D 150	D 185	

Aluminium compression cable lugs
Aluminium compression joints*



Hexagon crimping, width 7 mm				
mm ²	10	16-25	35	50
die code	10	12	14	16
Part No.	A 10	A 16-25	A 35	A 50
mm ²	70	95-120	150	185
die code	18	22	25	28
Part No.	A 70	A 95-120	A 150	A 185

Compression joints for full tension
connections of Aldrey conductors
acc. to DIN 48201, sheet 6*

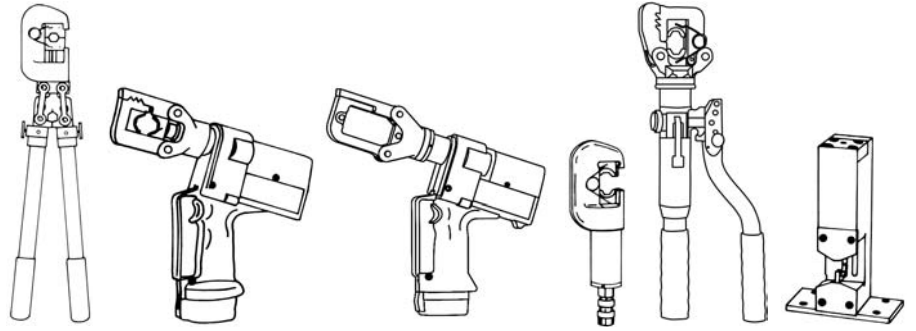


Hexagon crimping, width 7 mm					
mm ²	25	35	50	70	95
die code	12	14	16	18	20
Part No.	AD 25	AD 35	AD 50	AD 70	AD 95

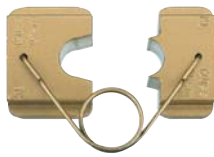
* For connectors see die codes, catalogue page 12.08.

CRIMPING DIES

for K 18 / EK 18-*plus* /
 EK 60 UNV + UA 18 /
 PK 18 / HK 60/18 / THK 18 /
 HK 60 UNV + UA 18 /
 PK 60 UNV + UA 18



Pre-rounding dies for sector-shaped Al- and Cu-conductors

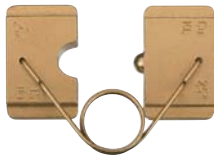


For 3 and 4 core sector-shaped conductors

se mm ²			35	50	70
sm mm ²	10	16	25	35	50
cond. Ø mm	4.1	5.1	6.3	7.5	9
width mm	19.5	19.5	19.5	19.5	19.5
Part No.	Ru 10	Ru 16	Ru 35/25	Ru 50/35	Ru 70/50
se mm ²	95	120	150	185	240
sm mm ²	70	95	120	150	185
cond. Ø mm	10.5	12.5	14	15.8	17.5
width mm	19.5	19.5	19.5	19.5	19.5
Part No.	Ru 95/70	Ru 120/95	Ru 150/120	Ru 185/150	Ru 240/185

Terminals DIN 46234

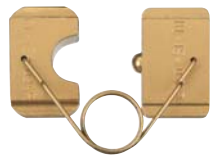
Pin terminals DIN 46230



Indent crimping

mm ²	10	16	25	35	50
Part No.	Q 10	Q 16	Q 25	Q 35	Q 50
mm ²	70				
Part No.	Q 70				

Insulated terminals,
 Insulated pin terminals



Indent crimping

mm ²	10	16	25	35	50
Part No.	ISQ 10	ISQ 16	ISQ 25	ISQ 35	ISQ 50

Tubular cable lugs and connectors
 for fine stranded conductors



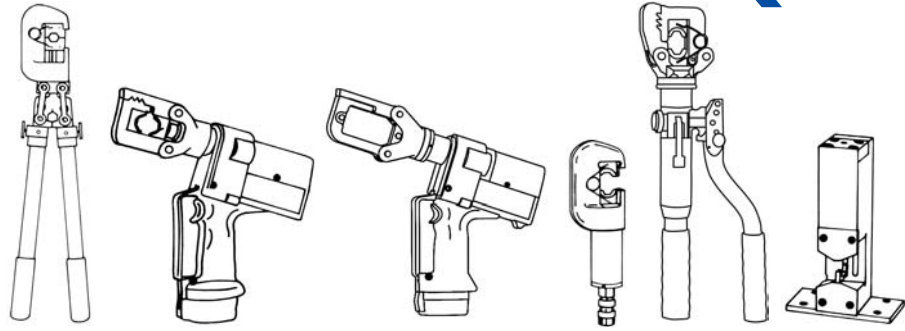
Indent crimping

mm ²	10	16	25	35	50
Part No.	F 10	F 16	F 25	F 35	F 50

se = sector shaped solid; sm = sector shaped stranded

CRIMPING DIES

for K 18 / EK 18-*plus* /
 EK 60 UNV + UA 18 /
 PK 18 / HK 60/18 / THK 18 /
 HK 60 UNV + UA 18 /
 PK 60 UNV + UA 18



C-clamps



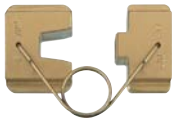
Oval crimping, width 5 mm					
mm ²	16	25	35	50	
Part No.	C 16	C 25	C 35	C 50	
mm ²	4 – 4	10 – 10	10 – 16	10 – 25	35 – 35
Part No.	MC 4	MC 10		MC 35	

Insulated tubular cable lugs and connectors



Oval crimping, width 5 mm				
mm ²	10	16	25	35
Part No.	IS 10	IS 16	IS 25	IS 35
mm ²	50	70	95	
Part No.	IS 50	IS 70	IS 95	

Cable end-sleeves



Trapezoid crimping, width 20 mm				
mm ²	10	16	25	35
Part No.	AE 10	AE 16	AE 25	AE 35
mm ²	50	70	95	
Part No.	AE 50	AE 70	AE 95	

Twin cable end sleeves



Trapezoid crimping, width 20 mm				
mm ²	2 x 4	2 x 6	2 x 10	2 x 16
Part No.	ZAE 4	ZAE 6	ZAE 10	ZAE 16

Cable end-sleeves



Special trapezoid crimp for "compacted" fine stranded conductors, width 20 mm				
mm ²	10	16	25	35
Art.-Nr.	AES 10	AES 16	AES 25	AES 35
mm ²	50	70	95	
Part No.	AES 50	AES 70	AES 95	

Twin cable end sleeves



Special trapezoid crimp for "compacted" fine stranded conductors, width 20 mm				
mm ²	2 x 4	2 x 6	2 x 10	2 x 16
Part No.	ZAES 4	ZAES 6	ZAES 10	ZAES 16

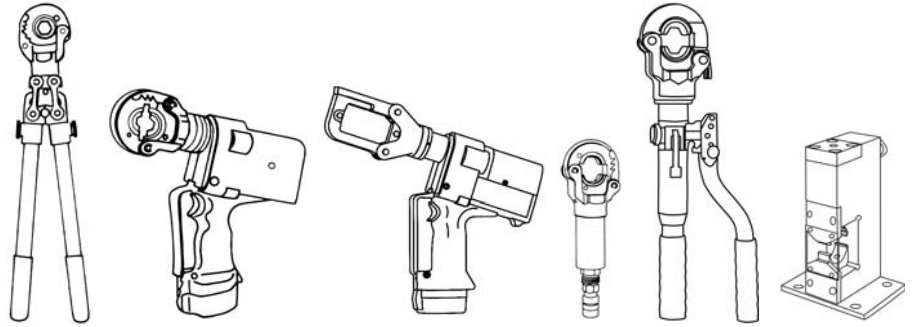
Cutting jaws for Al- und Cu-cable



Cutting range				
Ø mm	18			
Part No.	S 18			

CRIMPING DIES

for K 22 / EK 22-*plus* /
EK 60 UNV + UA 22 /
PK 22 / HK 60/22 / THK 22 /
HK 60 UNV + UA 22 /
PK 60 UNV + UA 22



Tubular cable lugs and connectors
"standard type"



Hexagon crimping, width 5 mm							
mm ²	6	10	16	25	35	50	70
Part No.	R 22/6	R 22/10	R 22/16	R 22/25	R 22/35	R 22/50	R 22/70
mm ²	95	120	150	185	240	300	
Part No.	R 22/95	R 22/120	R 22/150	R 22/185	R 22/240	R 22/300	

Cu-Tubular cable lugs and
connectors for solid conductors



Hexagon crimping			
mm ²	1.5 – 2.5 / 4	6 – 10	
Part No.	M 22/1.5–4	M 22/6–10	

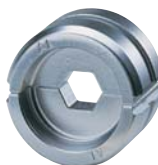
Compression cable lugs
DIN 46235

Compression joints
DIN 46267, part 1



Hexagon crimping, width 5 mm						
mm ²	6	10	16	25	35	50
die code	5	6	8	10	12	14
Part No.	D 22/6	D 22/10	D 22/16	D 22/25	D 22/35	D 22/50
mm ²	70	95	120	150	185	240
die code	16	18	20	22	25	28
Part No.	D 22/70	D 22/95	D 22/120	D 22/150	D 22/185	D 22/240

Aluminium compression cable lugs
Aluminium compression joints



Hexagon crimping, width 7 mm up to 185 mm ² , 5 mm up to 240 mm ²					
mm ²	10	16–25	35	50	70
die code	10	12	14	16	18
Part No.	A 22/10	A 22/16–25	A 22/35	A 22/50	A 22/70
mm ²	95–120	150	185	240	
die code	22	25	28	32	
Part No.	A 22/95–120	A 22/150	A 22/185	A 22/240	

Compression joints for full tension
connections of Aldrey conductors
acc. to DIN 48201, sheet 6

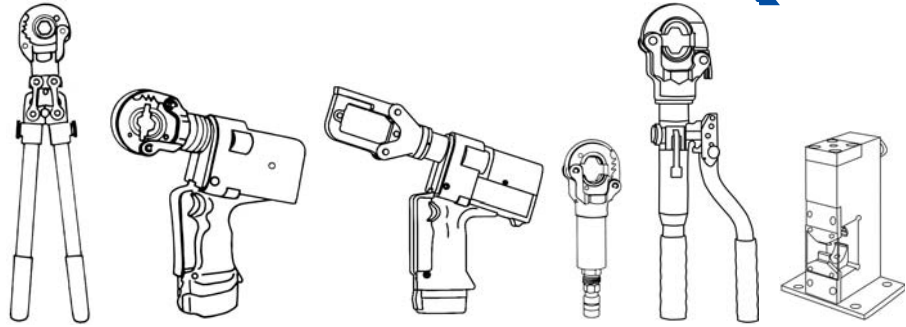
Al-conductors DIN 48201, sheet 5,
120 – 185 mm²



Hexagon crimping, width 7 mm					
mm ²	25	35	50	70	95
die code	12	14	16	18	20
Part No.	AD 22/25	AD 22/35	AD 22/50	AD 22/70	AD 22/95
mm ²	120	150	185		
die code	25	28	28		
Part No.	AD 22/120	AD 22/150–185			

CRIMPING DIES

for K 22 / EK 22-*plus* /
EK 60 UNV + UA 22 /
PK 22 / HK 60/22 / THK 22 /
HK 60 UNV + UA 22 /
PK 60 UNV + UA 22



Compression joints DIN 48085,
part 3 for Al-/Steel conductors
DIN 48204



Hexagon crimping, width Al 7 mm / Steel 5 mm						
mm ² Al – St	25 – 4	35 – 6	50 – 8	70 – 12	95 – 15	120 – 20
die code Al	12	14	16	18	22	25
Part No. Al	AST 22/25	AST 22/35	AST 22/50	AST 22/70	AST 22/95	AST 22/120
die code St	6	6	7	9	9	13
Part No. St	St 22/4-6		St 22/8	St 22/12-15		St 22/20

Pre-rounding dies for sector-
shaped Al- and Cu-conductors



For 3- and 4 core sector-shaped conductors						
se mm ²			35	50	70	95
sm mm ²	10	16	25	35	50	70
cond. Ø mm	4.1	5.1	6.3	7.5	9	10.5
width mm	19.5	19.5	19.5	19.5	19.5	19.5
Part No.	Ru 22/10	Ru 22/16	Ru 22/35-25	Ru 22/50-35	Ru 22/70-50	Ru 22/95-70
se mm ²	120	150	185	240	300	
sm mm ²	95	120	150	185	240	
cond. Ø mm	12.5	14	15.8	17.5	20.3	
width mm	19.5	19.5	19.5	19.5	19.5	
Part No.	Ru 22/120-95	Ru 22/150-120	Ru 22/185-150	Ru 22/240-185	Ru 22/300-240	

Terminals DIN 46234
Pin terminals DIN 46230



Indent crimping					
mm ²	10	16	25	35	50
Part No.	Q 22/10	Q 22/16	Q 22/25	Q 22/35	Q 22/50
mm ²	70				
Part No.	Q 22/70				

Insulated terminals,
Insulated pin terminals

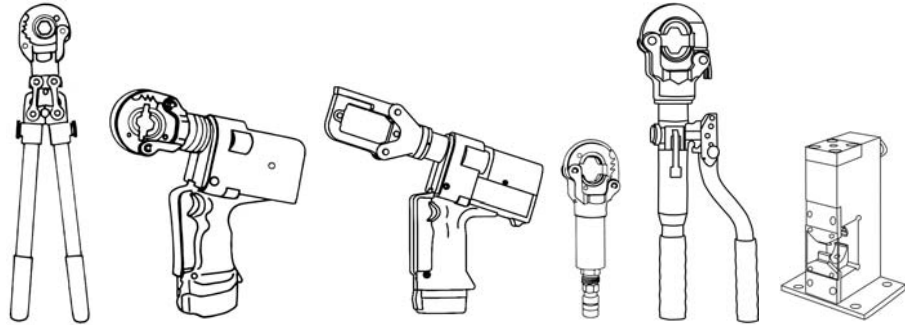


Indent crimping					
mm ²	10	16	25	35	50
Part No.	ISQ 22/10	ISQ 22/16	ISQ 22/25	ISQ 22/35	ISQ 22/50
mm ²	70				
Part No.	ISQ 22/70				

se = sector shaped solid; sm = sector shaped stranded

CRIMPING DIES

for K 22 / EK 22-plus /
 EK 60 UNV + UA 22 /
 PK 22 / HK 60/22 / THK 22 /
 HK 60 UNV + UA 22 /
 PK 60 UNV + UA 22



Tubular cable lugs and connectors
 for fine stranded conductors



		Indent crimping					
mm ²		10	16	25	35	50	70
Part No.		F 22/10	F 22/16	F 22/25	F 22/35	F 22/50	F 22/70

C-Clamps



		Oval crimping, width 5 mm				
mm ²		16	25	35	50	
Part No.		C 22/16	C 22/25	C 22/35	C 22/50	
mm ²		4 – 4	10 – 10	10 – 16	10 – 25	35 – 35
Part No.		MC 22/4	MC 22/10	MC 22/35		

Insulated tubular cable lugs
 and connectors



		Oval crimping, width 5 mm				
mm ²		10	16	25	35	50
Part No.		IS 22/10	IS 22/16	IS 22/25	IS 22/35	IS 22/50
mm ²		70	95	120	150	
Part No.		IS 22/70	IS 22/95	IS 22/120	IS 22/150	

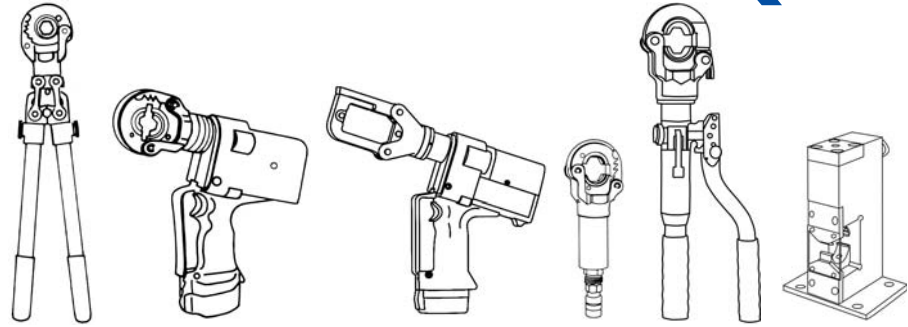
Double compression cable lugs



		Oval crimping, width 5 mm				
mm ²		2 x 50	2 x 70			
Part No.		DP 22/50	DP 22/70			

CRIMPING DIES

for K 22 / EK 22-*plus* /
EK 60 UNV + UA 22 /
PK 22 / HK 60/22 / THK 22 /
HK 60 UNV + UA 22 /
PK 60 UNV + UA 22



Tubular nickel cable lugs and connectors, stainless steel tubular cable lugs and connectors



Indent crimping						
mm ²	10	16	25	35	50	
Part No.	N 22/10	N 22/16	N 22/25	N 22/35	N 22/50	

Cable end-sleeves



Trapezoid crimping, width 20 mm						
mm ²	10	16	25	35	50	70
Part No.	AE 22/10	AE 22/16	AE 22/25	AE 22/35	AE 22/50	AE 22/70
mm ²	95	120	150	185*	240*	
Part No.	AE 22/95	AE 22/120	AE 22/150	AE 22/185	AE 22/240	

Twin cable end-sleeves



Trapezoid crimping, width 20 mm				
mm ²	2 x 4	2 x 6	2 x 10	2 x 16
Part No.	ZAE 22/4	ZAE 22/6	ZAE 22/10	ZAE 22/16

Cable end-sleeves



Special trapezoid crimp for "compacted" fine stranded conductors, width 20 mm						
mm ²	10	16	25	35	50	70
Part No.	AES 22/10	AES 22/16	AES 22/25	AES 22/35	AES 22/50	AES 22/70
mm ²	95	120	150	185*	240*	
Part No.	AES 22/95	AES 22/120	AES 22/150	AES 22/185	AES 22/240	

Twin cable end-sleeves



Special trapezoid crimp for "compacted" fine stranded conductors, width 20 mm				
mm ²	2 x 4	2 x 6	2 x 10	2 x 16
Part No.	ZAES 22/4	ZAES 22/6	ZAES 22/10	ZAES 22/16

* except THK 22

CRIMPING DIES

for EK 35/4



Tubular cable lugs and connectors
"standard type"



Hexagon crimping, width 5 mm						
mm ²	6	10	16	25	35	50
Part No.	HR 4/6	HR 4/10	HR 4/16	HR 4/25	HR 4/35	HR 4/50
mm ²	70	95	120			
Part No.	HR 4/70	HR 4/95	HR 4/120			

Compression cable lugs
DIN 46235
Compression joints
DIN 46267, part 1



Hexagon crimping, width 5 mm						
mm ²	6	10	16	25	35	50
die code	5	6	8	10	12	14
Part No.	HD 4/6	HD 4/10	HD 4/16	HD 4/25	HD 4/35	HD 4/50
mm ²	70	95				
die code	16	18				
Part No.	HD 4/70	HD 4/95				

Aluminium compression cable lugs
Compression joints



Hexagon crimping, width 7 mm			
mm ²	10	16-25	35
die code	10	12	14
Part No.	HA 4/10	HA 4/16-25	HA 4/35
mm ²	50	70	
die code	16	18	
Part No.	HA 4/50	HA 4/70	

Compression joints for full tension
connections of Aldrey conductors
acc. to DIN 48201, sheet 6



Hexagon crimping, width 7 mm			
mm ²	25	35	50
die code	12	14	16
Part No.	HAD 4/25	HAD 4/35	HAD 4/50

CRIMPING DIES

for EK 35/4 /



Pre-rounding dies for sector-shaped Al- and Cu conductors



For 3 and 4 core sector-shaped conductors					
se mm ²			35	50	70
sm mm ²	10	16	25	35	50
cond. Ø mm	4.1	5.1	6.3	7.5	9
width mm	9.0	9.0	9.0	9.0	9.0
Part No.	HRu 4/10	HRu 4/16	HRu 4/35-25	HRu 4/50-35	HRu 4/70-50
se mm ²	95	120	150		
sm mm ²	70	95	120		
cond. Ø mm	10.5	12.5	14		
width mm	9.0	9.0	9.0		
Part No.	HRu 4/95-70	HRu 4/120-95	HRu 4/150-120		

Terminals DIN 46234
Pin terminals DIN 46230



Indent crimping			
mm ²	10	16	
Part No.	HQ 4/10	HQ 4/16	

Insulated terminals,
Insulated pin terminals



Indent crimping			
mm ²	10	16	
Part No.	HISQ 4/10	HISQ 4/16	

Tubular cable lugs and connectors
for fine stranded conductors





Indent crimping			
mm ²	10	16	25
Part No.	HF 4/10	HF 4/16	HF 4/25


CRIMPING DIES


for EK 35/4





<p>C-clamps</p> 	Oval crimping, width 5 mm				
	mm ²	16	25		
	Part No.	HC 4/16	HC 4/25		
	mm ²	4 – 4	10 – 10	10 – 16	10 – 25
Part No.	HMC 4/4	HMC 4/10	HMC 4/35		


<p>Insulated tubular cable lugs and connectors</p> 	Oval crimping, width 5 mm				
	mm ²	10	16	25	35
	Part No.	HIS 4/10	HIS 4/16	HIS 4/25	HIS 4/35
	mm ²	50	70		
Part No.	HIS 4/50	HIS 4/70			

<p>Tubular nickel cable lugs and connectors , stainless steel tubular cable lugs and connectors</p> 	Indent crimping			
	mm ²	0.5 – 1	1.5 – 2.5	4 – 6
	Part No.	HN 4/0.5–1	HN 4/1.5–2.5	HN 4/4–6
	mm ²	10	16	
Part No.	HN 4/10	HN 4/16		

<p>Cable end-sleeves</p> 	Trapezoid crimping, width 10 mm			
	mm ²	10	16	25
	Part No.	HAE 4/10	HAE 4/16	HAE 4/25
	mm ²	35	50	
Part No.	HAE 4/35	HAE 4/50		

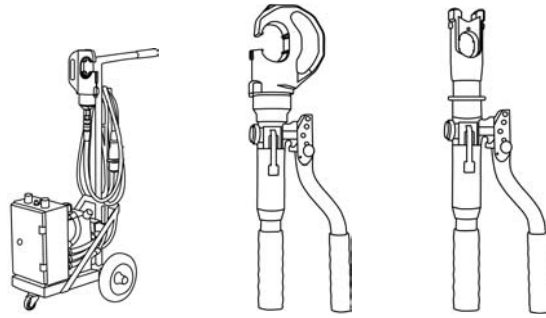
<p>Twin cable end-sleeves</p> 	Trapezoid crimping, width 10 mm			
	mm ²	2 x 4	2 x 6	2 x 10
	Part No.	HZAE 4/4	HZAE 4/6	HZAE 4/10
	mm ²	2 x 16		
Part No.	HZAE 4/16			

<p>Cable end-sleeves</p> 	Special trapezoid crimp for "compacted" fine stranded conductors, width 10 mm					
	mm ²	10	16	25	35	50
	Part No.	HAES 4/10	HAES 4/16	HAES 4/25	HAES 4/35	HAES 4/50

<p>Twin cable end-sleeves</p> 	Special trapezoid crimp for "compacted" fine stranded conductors, width 10 mm					
	mm ²	2 x 4	2 x 6	2 x 10	2 x 16	
	Part No.	HZAES 4/4	HZAES 4/6	HZAES 4/10	HZAES 4/16	

CRIMPING DIES

for HK 12/2 / HK 12/2 EL /
 HK 120/25 / HK 120/42 /
 HK 120 U /
 EK 120/25 / EK 120/42 /
 EK 120 U-plus /
 PK 120/38 / PK 120 U



Tubular cable lugs and connectors*
 "standard type"



Hexagon crimping							
mm ²	16	25	35	50	70	95	
width mm	10	10	10	13	13	14	
Part No.	HR 13/16	HR 13/25	HR 13/35	HR 13/50	HR 13/70	HR 13/95	
mm ²	120	150	185	240	300	400	
width mm	14	14	11	11	11	5	
Part No.	HR 13/120	HR 13/150	HR 13/185	HR 13/240	HR 13/300	HR 13/400	

Compression cable lugs
 DIN 46235
 Compression joints*
 DIN 46267, part 1



Hexagon crimping					
mm ²	16	25	35	50	70
die code	8	10	12	14	16
width mm	10	10	10	13	13
Part No.	HD 13/16	HD 13/25	HD 13/35	HD 13/50	HD 13/70
mm ²	95	120	150	185	240
die code	18	20	22	25	28
width mm	14	14	10	10	10
Part No.	HD 13/95	HD 13/120	HD 13/150	HD 13/185	HD 13/240

Aluminium compression cable lugs
 Aluminium compression joints*



Hexagon crimping					
mm ²	10	16-25	35	50	70
die code	10	12	14	16	18
width mm	12	12	12	12	12
Part No.	HA 13/10	HA 13/16-25	HA 13/35	HA 13/50	HA 13/70
mm ²	95-120	150	185	240	
die code	22	25	28	32	
width mm	14	14	14	5	
Part No.	HA 13/95-120	HA 13/150	HA 13/185	HA 13/240	

* For connectors see die codes, catalogue page 12.08.

CRIMPING DIES

for HK 12/2 / HK 12/2 EL /
 HK 120/25 / HK 120/42 /
 HK 120 U /
 EK 120/25 / EK 120/42 /
 EK 120 U-plus /
 PK 120/38 / PK 120 U



Compression joints* for full tension connections of Aldrey conductors acc. to DIN 48201, sheet 6

Al-conductors DIN 48201, sheet 5, 120 – 185 mm²



Hexagon crimping					
mm ²	25	35	50	70	95
die code	12	14	16	18	20
Part No.	HAD 13/25	HAD 13/35	HAD 13/50	HAD 13/70	HAD 13/95
mm ²	120	150	185		
die code	25	28	28		
Part No.	HAD 13/120	HAD 13/150-185			

Compression joints DIN 48085, part 3 für Al-/Steel conductors DIN 48204



Hexagon crimping						
mm ² Al – St	25 – 4	35 – 6	50 – 8	70 – 12	95 – 15	120 – 20
die code Al	12	14	16	18	22	25
Part No. Al	HAST 13/25	HAST 13/35	HAST 13/50	HAST 13/70	HAST 13/95	HAST 13/120
die code St	6	6	7	9	9	13
Part No. St	HSt 13/4-6		HSt 13/8	HSt 13/12-15		HSt 13/20

Pre-rounding dies for sector-shaped Al- and Cu-conductors



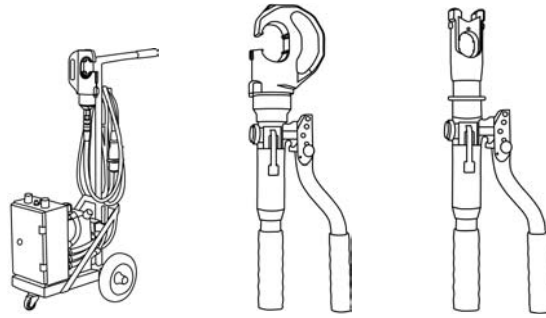
For 3 and 4 core sector-shaped conductors				
se mm ²			35	50
sm mm ²	10	16	25	35
cond. Ø mm	4.1	5.1	6.3	7.5
width mm	35	35	35	35
Part No.	HRu 13/10	HRu 13/16	HRu 13/35-25	HRu 13/50-35
se mm ²	70	95	120	150
sm mm ²	50	70	95	120
cond. Ø mm	9	10.5	12.5	14
width mm	35	35	35	35
Part No.	HRu 13/70-50	HRu 13/95-70	HRu 13/120-95	HRu 13/150-120
se mm ²	185	240	300	
sm mm ²	150	185	240	300
cond. Ø mm	15.8	17.5	20.3	22.5
width mm	35	35	35	35
Part No.	HRu 13/185-150	HRu 13/240-185	HRu 13/300-240	HRu 13/300-sm

se = sector shaped solid; sm = sector shaped stranded

* For connectors see die codes, catalogue page 12.08.

CRIMPING DIES

for HK 12/2 / HK 12/2 EL /
 HK 120/25 / HK 120/42 /
 HK 120 U /
 EK 120/25 / EK 120/42 /
 EK 120 U-plus /
 PK 120/38 / PK 120 U



Terminals DIN 46234
 Pin terminals DIN 46230



Indent crimping				
mm ²	16	25	35	50
Part No.	HQ 13/16	HQ 13/25	HQ 13/35	HQ 13/50
mm ²	70	95	120	150
Part No.	HQ 13/70	HQ 13/95	HQ 13/120	HQ 13/150

Insulated terminals,
 Insulated pin terminals



Indent crimping				
mm ²	10	16	25	35
Part No.	HISQ 13/10	HISQ 13/16	HISQ 13/25	HISQ 13/35
mm ²	50	70	95	
Part No.	HISQ 13/50	HISQ 13/70	HISQ 13/95	

Tubular cable lugs and connectors
 for fine stranded conductors



Indent crimping				
mm ²	16	25	35	50
Part No.	HF 13/16	HF 13/25	HF 13/35	HF 13/50
mm ²	70	95	120	150
Part No.	HF 13/70	HF 13/95	HF 13/120	HF 13/150

C-clamps



Oval crimping							
mm ²	16	25	35	50	70		
width mm	16	17	20	20	20		
Part No.	HC 13/16	HC 13/25	HC 13/35	HC 13/50	HC 13/70		
mm ²	10 – 10	10 – 16	10 – 25	35 – 35	25 – 50	50 – 50	35 – 70
width mm	13	18	18	18	20	20	20
Part No.	HMC 13/10	HMC 13/35			HMC 13/50		HMC 13/70

CRIMPING DIES

for HK 12/2 / HK 12/2 EL /
 HK 120/25 / HK 120/42 /
 HK 120 U /
 EK 120/25 / EK 120/42 /
 EK 120 U-plus /
 PK 120/38 / PK 120 U

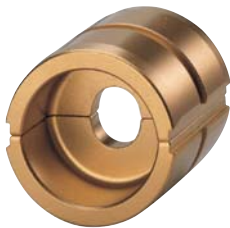


Insulated tubular cable lugs and connectors



Oval crimping, width 5 mm					
mm ²	10	16	25	35	50
Part No.	HIS 13/10	HIS 13/16	HIS 13/25	HIS 13/35	HIS 13/50
mm ²	70	95	120	150	
Part No.	HIS 13/70	HIS 13/95	HIS 13/120	HIS 13/150	

Double compression cable lugs



Oval crimping					
mm ²	2 x 50	2 x 70	2 x 95		
Part No.	HDP 13/50	HDP 13/70	HDP 13/95		

Cable end-sleeves



Trapezoid crimping					
mm ²	25	35	50	70	95
width mm	20	20	26	26	26
Part No.	HAE 13/25	HAE 13/35	HAE 13/50	HAE 13/70	HAE 13/95
mm ²	120	150	185	240	
width mm	26	26	26	26	
Part No.	HAE 13/120	HAE 13/150	HAE 13/185	HAE 13/240	

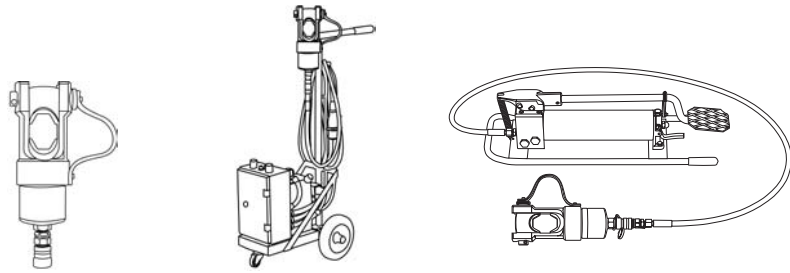
Cable end-sleeves



Special trapezoid crimp for "compacted" fine stranded conductors					
mm ²	25	35	50	70	95
width mm	20	20	26	26	26
Part No.	HAES 13/25	HAES 13/35	HAES 13/50	HAES 13/70	HAES 13/95
mm ²	120	150	185	240	
width mm	26	26	26	26	
Part No.	HAES 13/120	HAES 13/150	HAES 13/185	HAES 13/240	

CRIMPING DIES

for PK 25/2 / HK 25/2 / HK 25/2 EL



Tubular cable lugs and connectors
"standard type"



Hexagon crimping							
mm ²	16	25	35	50	70	95	
width mm	10	10	10	13	13	15	
Part No.	HR 25/16	HR 25/25	HR 25/35	HR 25/50	HR 25/70	HR 25/95	
mm ²	120	150	185	240	300	400	
width mm	15	20	20	20	20	20	
Part No.	HR 25/120	HR 25/150	HR 25/185	HR 25/240	HR 25/300	HR 25/400	

Compression cable lugs
DIN 46235
Compression joints
DIN 46267, part 1



Hexagon crimping							
mm ²	16	25	35	50	70	95	120
die code	8	10	12	14	16	18	20
width mm	10	10	10	13	13	14	14
Part No.	HD 25/16	HD 25/25	HD 25/35	HD 25/50	HD 25/70	HD 25/95	HD 25/120
mm ²	150	185	240	300	400	500	625
die code	22	25	28	32	38	42	44
width mm	15	15	15	17	17	17	15
Part No.	HD 25/150	HD 25/185	HD 25/240	HD 25/300	HD 25/400	HD 25/500	HD 25/625

Aluminium compression cable lugs
Aluminium compression joints



Hexagon crimping						
mm ²	10	16–25	35	50	70	95–120
die code	10	12	14	16	18	22
width mm	12	12	12	12	12	14
Part No.	HA 25/10	HA 25/16–25	HA 25/35	HA 25/50	HA 25/70	HA 25/95–120
mm ²	150	185	240	300	400	500
die code	25	28	32	34	38	44
width mm	14	14	17	17	17	15
Part No.	HA 25/150	HA 25/185	HA 25/240	HA 25/300	HA 25/400	HA 25/500

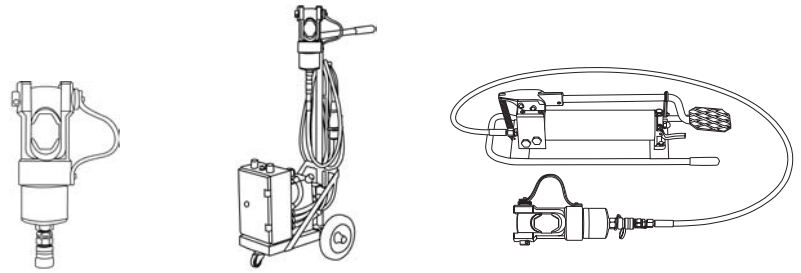
Compression joints for full tension
connections of Aldrey conductors
acc. to DIN 48201, sheet 6
Al-conductors DIN 48201, sheet 5,
120 – 300 mm²



Hexagon crimping					
mm ²	25	35	50	70	95
die code	12	14	16	18	20
Part No.	HAD 25/25	HAD 25/35	HAD 25/50	HAD 25/70	HAD 25/95
mm ²	120	150	185	240	300
die code	25	28	28	34	38
Part No.	HAD 25/120	HAD 25/150–185		HAD 25/240	HAD 25/300

CRIMPING DIES

for PK 25/2 / HK 25/2 / HK 25/2 EL



Compression joints DIN 48085, part 3 for Al-/Steel conductors DIN 48204



Hexagon crimping						
mm ² Al – St	25 – 4	35 – 6	50 – 8	70 – 12	95 – 15	120 – 20
die code Al	12	14	16	18	22	25
Part No. Al	HAST 25/25	HAST 25/35	HAST 25/50	HAST 25/70	HAST 25/95	HAST 25/120
die code St	6	6	7	9	9	13
Part No. St	HSt 25/4-6		HSt 25/8	HSt 25/12-15		HSt 25/20

Pre-rounding dies for sector-shaped Al- and Cu-conductors



For 3 and 4 sector-shaped conductors				
se mm ²			35	50
sm mm ²	10	16	25	35
cond. Ø mm	4.1	5.1	6.3	7.5
width mm	40	40	40	40
Part No.	HRu 25/10	HRu 25/16	HRu 25/35-25	HRu 25/50-35
se mm ²	70	95	120	150
sm mm ²	50	70	95	120
cond. Ø mm	9	10.5	12.5	14
width mm	40	40	40	40
Part No.	HRu 25/70-50	HRu 25/95-70	HRu 25/120-95	HRu 25/150-120
se mm ²	185	240	300	
sm mm ²	150	185	240	300
cond. Ø mm	15.8	17.5	20.3	22.5
width mm	40	40	40	40
Part No.	HRu 25/185-150	HRu 25/240-185	HRu 25/300-240	HRu 25/300-sm

Terminals DIN 46234
Pin terminals DIN 46230



Indent crimping						
mm ²	16	25	35	50	70	95
Part No.	HQ 25/16	HQ 25/25	HQ 25/35	HQ 25/50	HQ 25/70	HQ 25/95
mm ²	120	150	185	240		
Part No.	HQ 25/120	HQ 25/150	HQ 25/185	HQ 25/240		

Insulated terminals,
Insulated pin terminals

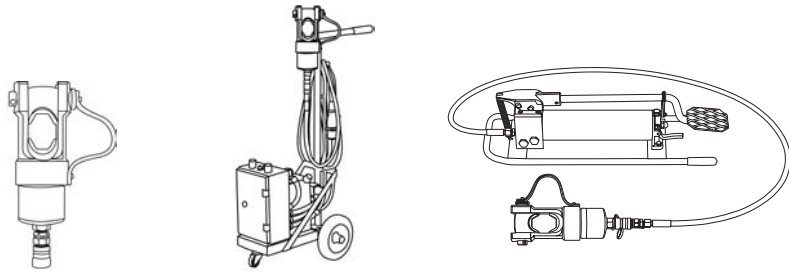


Indent crimping					
mm ²	10	16	25	35	50
Part No.	HISQ 25/10	HISQ 25/16	HISQ 25/25	HISQ 25/35	HISQ 25/50
mm ²	70	95	120	150	
Part No.	HISQ 25/70	HISQ 25/95	HISQ 25/120	HISQ 25/150	

se = sector shaped solid; sm = sector shaped stranded

CRIMPING DIES

for PK 25/2 / HK 25/2 / HK 25/2 EL



Tubular cable lugs and connectors for fine stranded conductors



Indent crimping							
mm ²	16	25	35	50	70	95	
Part No.	HF 25/16	HF 25/25	HF 25/35	HF 25/50	HF 25/70	HF 25/95	
mm ²	120	150	185	240	300		
Part No.	HF 25/120	HF 25/150	HF 25/185	HF 25/240	HF 25/300		

C-clamps



Oval crimping							
mm ²	16	25	35	50	70	95	
width mm	16	17	20	20	20	20	
Part No.	HC 25/16	HC 25/25	HC 25/35	HC 25/50	HC 25/70	HC 25/95	
mm ²	10 – 16	10 – 25	35 – 35	25 – 50	50 – 50	35 – 70	
width mm	18	18	18	20	20	20	
Part No.	HMC 25/35			HMC 25/50		HMC 25/70	
mm ²	35 – 95	70 – 95	120 – 120	150 – 150	185 – 185		
width mm	20	20	20	20	20		
Part No.	HMC 25/95		HMC 25/120	HMC 25/150	HMC 25/185		

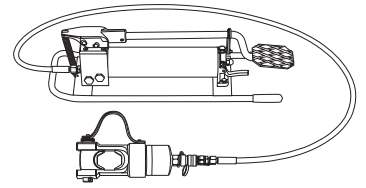
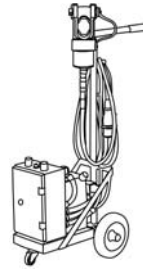
Insulated tubular cable lugs and connectors



Oval crimping					
mm ²	10	16	25	35	50
width mm	7	7	8	8	10
Part No.	HIS 25/10	HIS 25/16	HIS 25/25	HIS 25/35	HIS 25/50
mm ²	70	95	120	150	
width mm	12	14	14	16	
Part No.	HIS 25/70	HIS 25/95	HIS 25/120	HIS 25/150	

CRIMPING DIES

for PK 25/2 / HK 25/2 / HK 25/2 EL



Double compression cable lugs



Oval crimping					
mm ²	2 x 50	2 x 70	2 x 95	2 x 120	
Part No.	HDP 25/50	HDP 25/70	HDP 25/95	HDP 25/120	

Cable end-sleeves



Trapezoid crimping					
mm ²	25	35	50	70	95
width mm	20	20	26	26	26
Part No.	HAE 25/25	HAE 25/35	HAE 25/50	HAE 25/70	HAE 25/95
mm ²	120	150	185	240	
width mm	26	26	26	26	
Part No.	HAE 25/120	HAE 25/150	HAE 25/185	HAE 25/240	

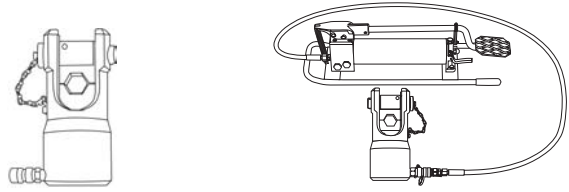
Cable end-sleeves



Special trapezoid crimp for "compacted" fine stranded conductors					
mm ²	25	35	50	70	95
width mm	20	20	26	26	26
Part No.	HAES 25/25	HAES 25/35	HAES 25/50	HAES 25/70	HAES 25/95
mm ²	120	150	185	240	
width mm	26	26	26	26	
Part No.	HAES 25/120	HAES 25/150	HAES 25/185	HAES 25/240	

CRIMPING DIES

for PK 45 / HK 45



Compression cable lugs
DIN 46235
Compression joints
DIN 46267, part 1



Hexagon crimping						
mm ²	120	150	185	240	300	
die code	20	22	25	28	32	
width mm	15	15	15	15	17	
Part No.	HD 45/120	HD 45/150	HD 45/185	HD 45/240	HD 45/300	
mm ²	400	500	625	800	1000	
die code	38	42	44	52	58	
width mm	17	17	17	20	20	
Part No.	HD 45/400	HD 45/500	HD 45/625	HD 45/800	HD 45/1000	

Aluminium compression cable lugs
Aluminium compression joints



Hexagon crimping						
mm ²	150		185	240		
die code	25		28	32		
width mm	15		15	15		
Part No.	HA 45/150		HA 45/185	HA 45/240		
mm ²	300		400	500		
die code	34		38	44		
width mm	20		20	20		
Part No.	HA 45/300		HA 45/400	HA 45/500		

Compression joints for full tension
connections of Aldrey conductors
acc. to DIN 48201, sheet 5,
150 – 300 mm²



Hexagon crimping						
mm ²	150	185	240	300		
die code	28	28	34	38		
Part No.	HAD 45/150-185			HAD 45/240	HAD 45/300	