

microSD card series

Description

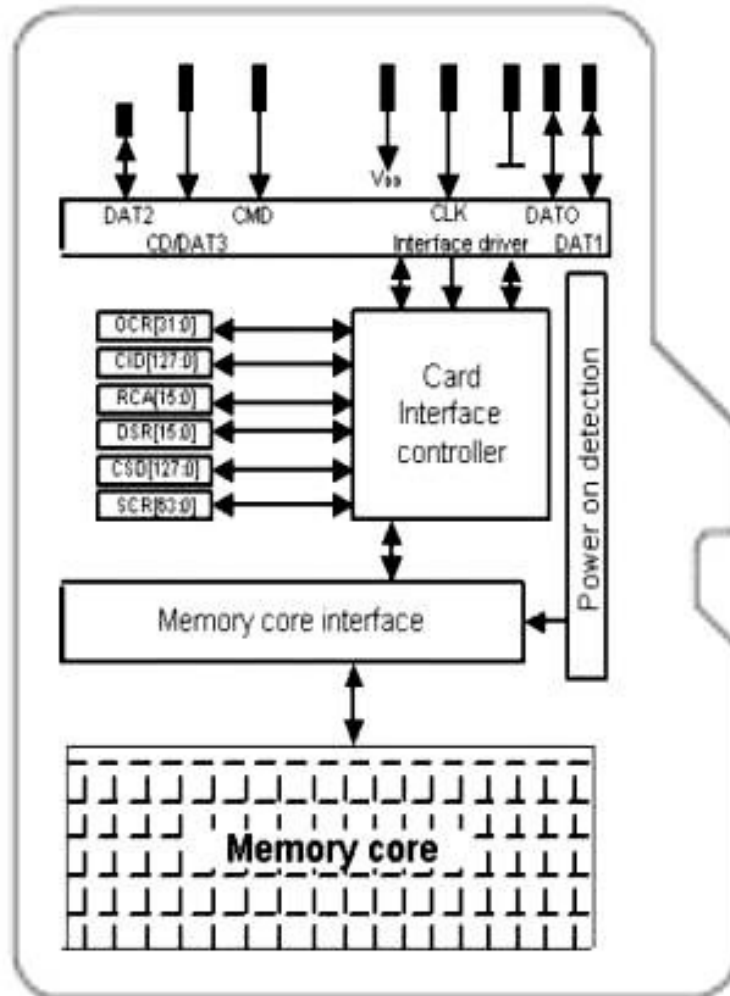
Aimed at heavy mobile users of cell phones, eBooks, tablet PCs or portable gaming consoles, Transcend's microSD card is the most economical memory expanding solution to increase the amount of storage space for expandable mobile devices.

Features

- RoHS compliant
- Mechanical write protection switch on adapter
- MicroSD adapter allows it to be used in standard SD Card slots
- Built-in Error Correcting Code (ECC) to detect and correct transfer errors
- Exclusive RecoverRx photo recovery software

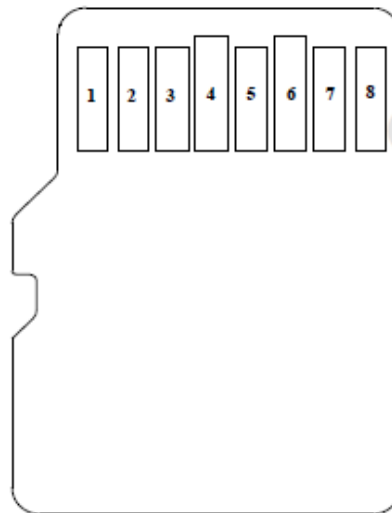


Architecture



Pin Definition

Pin No.	SD Mode		SPI Mode	
	Name	Description	Name	Description
1	DAT2	Data Line [Bit2]	RSV	Reserved
2	CD/DAT3	Card Detect / Data Line [Bit3]	CS	Chip Select
3	CMD	Command / Response	DI	Data In
4	V _{DD}	Supply voltage	V _{DD}	Supply voltage
5	CLK	Clock	SCLK	Clock
6	V _{SS}	Supply voltage ground	V _{SS}	Supply voltage ground
7	DAT0	Data Line [Bit0]	DO	Data out
8	DAT1	Data Line [Bit1]	RSV	Reserved



Specifications

Physical Specification		
Form Factor		microSD
Dimensions (mm)	Length	11.00 ± 0.1
	Width	15.00 ± 0.1
	Height	0.7 ± 0.1

Environmental Specifications	
Operating Temperature	- 25 °C to 85 °C
Storage Temperature	- 40 °C to 85 °C
Durability	10.000 mating cycles
Drop test	1.5m free fall
Regulator	CE/FCC/BSMI

The above technical information is based on industry standard data and has been tested to be reliable. However, Transcend makes no warranty, either expressed or implied, as to its accuracy and assumes no liability in connection with the use of this product. Transcend reserves the right to make changes to the specifications at any time without prior notice.

Order information

Capacity	Transcend Part Number
1GB	TS1GUSD*
	TS1GUSDC
2GB	TS2GUSD*
	TS2GUSD-2**
	TS2GUSDC

*with adapter

** with 2 adapters (miniSD & SD)

**TAIWAN**E-mail: sales-tw@transcend-info.com**USA****Los Angeles:**E-mail: sales-us@transcend-info.com**Maryland:**E-mail: sales-us@transcend-info.com**Miami:**E-mail: sales-us@transcend-info.com**Silicon Valley:**E-mail: sales-us@transcend-info.com**GERMANY**E-mail: sales-de@transcend-info.com**THE NETHERLANDS**E-mail: sales-nl@transcend-info.com**United Kingdom**E-mail: sales-uk@transcend-info.com**JAPAN**E-mail: sales-jp@transcend-info.com**KOREA**E-mail: sales-kr@transcend-info.com**CHINA**E-mail: sales@transcendchina.com**HONG KONG**E-mail: sales-hk@transcend-info.com

Revision History

Version	Date	Note
1.0	2016/04/06	The 1 st edition