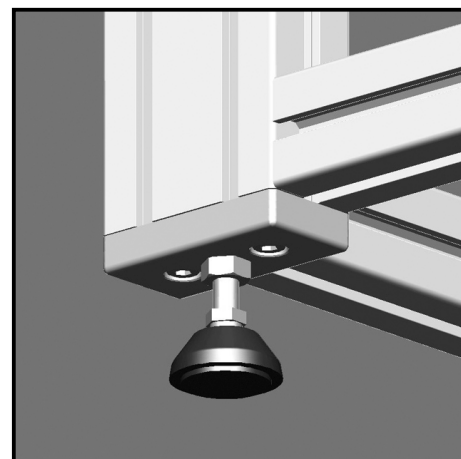
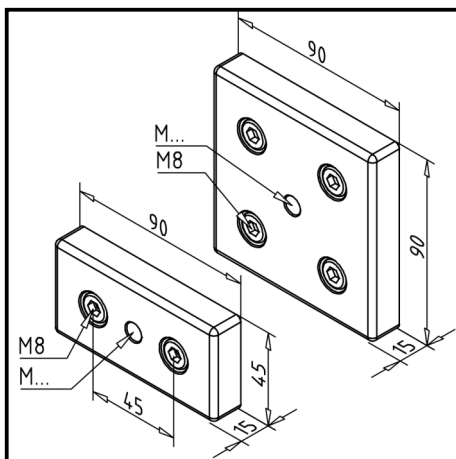
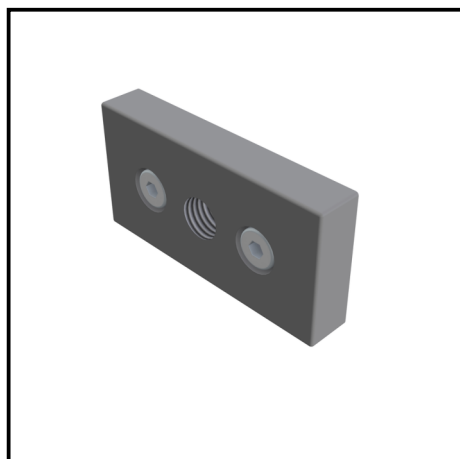


## BASE PLATE 45X90 M16

Article Nr. 21.1040/0

[See the product on the website](#) →

[Download CAD Files](#) →



### TECHN. DATA / ITEMS SUPPLIED

- Aluminium, Pressure die-casting, powder-coated, grey
- Fastening kit
- Weight = 0.182 kg/piece

### ASSEMBLY

- Use fixing material supplied to fix to the end face of the profile

### APPLICATIONS

- Centric attachment of hinged feet to profiles 45 x 90