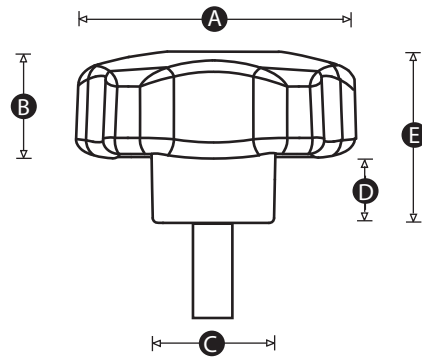


**DataSheet**  
**Male Lobe Knob**



**Material**

High impact resistant thermoplastic

**Standard colour**

Black

**Finish**

Matt

**Male thread material**

Zinc plated steel or stainless steel

**Cap colour**

Black

Part No.	A	B	C	D	E	Thread size	Thread length (mm)	Material	Thread material
7027627	28	16	14	9	25	M6	15	Polypropylene	Stainless steel
7027579	28	16	14	9	25	M6	20	Polypropylene	Zinc plated steel
7027636	28	16	14	9	25	M6	20	Polypropylene	Stainless steel
7027572	40	17	18	12	29	M6	25	Polypropylene	Zinc plated steel
7027639	40	17	18	12	29	M6	25	Polypropylene	Stainless steel
7027576	40	17	18	12	29	M8	20	Polypropylene	Zinc plated steel
7027633	40	17	18	12	29	M8	20	Polypropylene	Stainless steel
7027585	40	17	18	12	29	M8	30	Polypropylene	Zinc plated steel
7027642	40	17	18	12	29	M8	30	Polypropylene	Stainless steel
7027588	50	19	21	12	31	M8	25	Polypropylene	Zinc plated steel
7027645	50	19	21	12	31	M8	25	Polypropylene	Stainless steel
7027582	60	21	21	13	34	M10	25	Polypropylene	Zinc plated steel
7027649	60	21	21	13	34	M10	25	Polypropylene	Stainless steel
7027591	60	21	21	13	34	M12	30	Polypropylene	Zinc plated steel
7027658	60	21	21	13	34	M12	30	Polypropylene	Stainless steel