

Evaluation Board for the **AD5111** Digital Potentiometer

FEATURES

- Full-featured evaluation board for the **AD5111**
- Several test circuits
- Various ac/dc input signals
- PC control via a separately purchased system demonstration platform (**SDP**)
- PC control software

PACKAGE CONTENTS

- EVAL-AD511xSDZ evaluation board
- CD that includes
 - Self-installing software that allows users to control the board and exercise all functions of the device
 - Electronic version of the **AD5111** data sheet
 - Electronic version of the UG-323 user guide

GENERAL DESCRIPTION

This user guide describes the evaluation board for evaluating the **AD5111**—a single-channel, 128-position, nonvolatile memory digital potentiometer.

The **AD5111** supports single-supply 2.3 V to 5.5 V operation, making the device suited for battery-powered applications and many other applications, offering guaranteed low resistor tolerance errors of $\pm 8\%$ and high bandwidth while allowing up to ± 6 mA current density in the A, B, and W pins.

A simple 3-wire up/down interface allows manual switching or high speed digital control with clock rates up to 50 MHz. The EVAL-AD5111SDZ can operate in single-supply mode and incorporates an internal power supply from the USB.

Complete specifications for the **AD5111** part can be found in the **AD5111** data sheet, which is available from Analog Devices, Inc., and should be consulted in conjunction with this user guide when using the evaluation board.

DIGITAL PICTURE OF EVALUATION BOARD WITH SYSTEM DEMONSTRATION PLATFORM

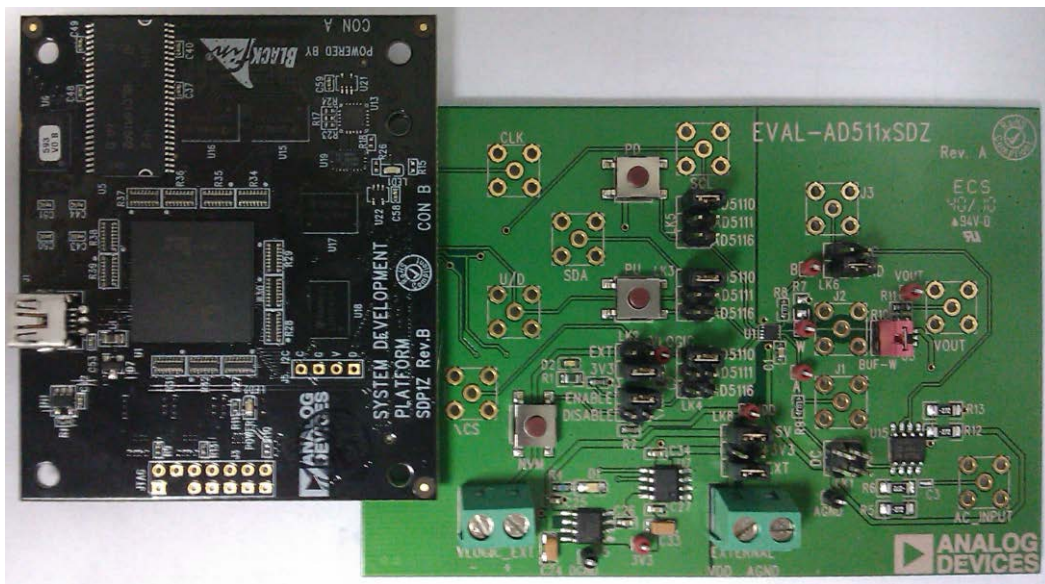


Figure 1.

10201-001

TABLE OF CONTENTS

Features	1	Test Circuits	4
Package Contents.....	1	Evaluation Board Software.....	5
General Description	1	Installing the Software	5
Digital Picture of Evaluation Board with System Demonstration Platform	1	Running the Software	5
Revision History	2	Operating the Software.....	6
Evaluation Board Hardware	3	Evaluation Board Schematics and Artwork.....	7
Power Supplies	3	Ordering Information.....	11
Link Options	3	Bill of Materials.....	11

REVISION HISTORY

11/11—Revision 0: Initial Version

EVALUATION BOARD HARDWARE

POWER SUPPLIES

The EVAL-AD5111SDZ supports using single power supplies.

The evaluation board can be powered either from the SDP port or externally by the EXTERNAL-1 and EXTERNAL-2 connectors, as described in Table 2.

All supplies are decoupled to ground using 10 μ F tantalum and 0.1 μ F ceramic capacitors.

LINK OPTIONS

One link option is incorporated in the evaluation board and should be set up before using the board. Table 1 describes the position of the link to control the evaluation board by a PC, via the SDP board, using the EVAL-AD5111SDZ. The functions of this link option is described in detail in Table 3.

Table 1. Link Options Setup for SDP Control (Default)

Link No.	Option
LK8	+5V

Table 2. Maximum and Minimum Voltages of the Connectors

Connector Number	Label	Voltage
EXTERNAL-1	VDD	Analog positive power supply, V_{DD} . If connected to the SDP, it is 3.3 V to 5.5 V. If controlled externally, it is 2.3 V to 5.5 V.
EXTERNAL-2	AGND	Analog ground, AGND.

Table 3. Link Functions

Link Number	Power Supply	Options
LK8	V_{DD}	This link selects one of the following as the positive power supply: +5V (from SDP). +3V3 (from SDP). EXT ¹ (external supply from the EXTERNAL-1 connector).

¹ If the part is powered using the external connector without connecting the SDP board, +5V jumper must be connected as well.

TEST CIRCUITS

The EVAL-AD5111SDZ incorporates several test circuits to evaluate the AD5111 performance.

DAC

The AD5111 can be operated as a digital-to-analog converter (DAC), as shown in Figure 2.

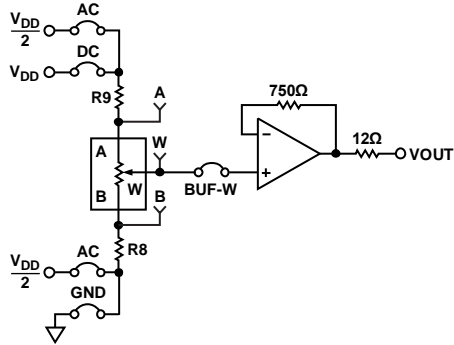


Figure 2. DAC

Table 4 shows the options available for the voltage references.

Table 4. DAC Voltage References

Terminal	Link	Options	Description
A	LK1	AC DC	Connects Terminal A to V _{DD} /2 Connects Terminal A to V _{DD}
W	BUF-W		Connects Terminal W to an output buffer
B	LK6	AC GND	Connects Terminal B to V _{DD} /2 Connects Terminal B to analog ground

The output voltage is defined in Equation 1.

$$V_{OUT} = (V_A - V_B) \times \frac{RDAC}{256} \tag{1}$$

where:

- RDAC is the code loaded in the RDAC register.
- V_A is the voltage applied to Terminal A (LK1 link).
- V_B is the voltage applied to Terminal B (LK6 link)

However, by using the R8 and R9 external resistors, the user can reduce the voltage of the voltage references. In this case, use the A and B test points to measure the voltage applied to the A and B terminals and recalculate V_A and V_B in Equation 1.

AC Signal Attenuation

The AD5111 can be used to attenuate an ac signal, which must be provided externally using the AC_INPUT connector, as shown in Figure 3.

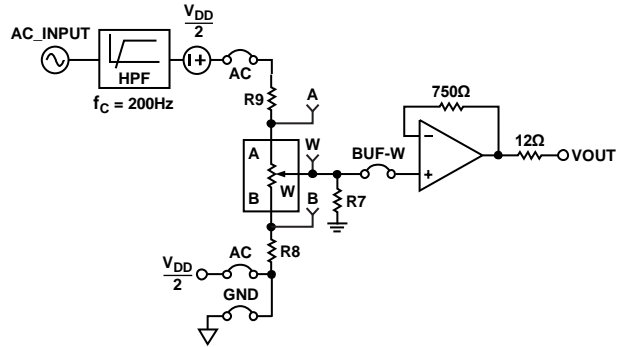


Figure 3. AC Signal Attenuator

Depending on the voltage supply rails and the dc offset voltage of the ac signal, various configurations can be used as described in Table 5.

Table 5. AC Signal Attenuation Link Options

Terminal	Link	Options	Description
A	LK1	AC	Remove dc voltage and biased the signal to V _{DD} /2
W	BUF-W		Connects Terminal W to an output buffer
B	LK6	AC ¹ GND	Connects Terminal B to V _{DD} /2 Connects Terminal B to analog ground

¹ Recommended to ensure optimal total harmonic distortion (THD) performance.

The signal attenuation is defined in Equation 2.

$$Attenuation \text{ (dB)} \approx 20 \times \log\left(\frac{RDAC}{128}\right) \tag{2}$$

where:

RDAC is the code loaded in the RDAC register.

In addition, R7 can be used to achieve an exponential attenuation. To do so, adjust the R7 resistor until a desirable transfer function is found, typically around 1.6 kΩ for a 10 kΩ potentiometer.

EVALUATION BOARD SOFTWARE

INSTALLING THE SOFTWARE

The EVAL-AD5111SDZ evaluation kit includes evaluation board software provided on a CD. The software is compatible with Windows® XP, Windows Vista, and Windows 7 (both 32 and 64 bits).

Install the software before connecting the **SDP** board to the USB port of the PC to ensure that the **SDP** board is recognized when it is connected to the PC.

1. Start the Windows operating system and insert the CD.
2. The installation software opens automatically. If it does not, run the **setup.exe** file from the CD.
3. After the installation is completed, power up the evaluation board as described in the Power Supplies section.
4. Plug the EVAL-AD511xSDZ into the **SDP** board and the **SDP** board into the PC using the USB cable included in the box.
5. When the software detects the evaluation board, follow the instructions that appear to finalize the installation.

To uninstall the program, click **Start > Control Panel > Add or Remove Programs > AD5111 Eval Board**.

RUNNING THE SOFTWARE

To run the evaluation board software, do the following:

1. Click **Start > All Programs > Analog Devices > AD5111 > AD5111 Eval Board**.
2. If the **SDP** board is not connected to the USB port when the software is launched, a connectivity error is displayed (see Figure 4). Connect the evaluation board to the USB port of the PC, wait a few seconds, click **Rescan**, and follow the instructions.

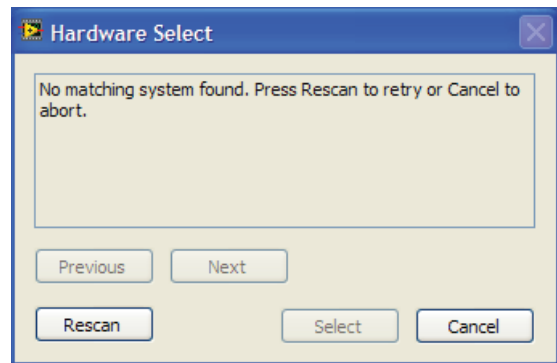


Figure 4. Pop-Up Window Error

The main window of the EVAL-AD5111SDZ evaluation software then opens, as shown in Figure 5.



Figure 5. EVAL-AD5111SDZ Evaluation Board Software Main Window

OPERATING THE SOFTWARE

The main window of the EVAL-ADAD5111SDZ software is divided into five different operations: **INCREMENT**, **DECREMENT**, **SHUTDOWN**, **STORE**, and **EXIT**. The operations are as follows:

- The **INCREMENT** button increases the RDAC value by the number of steps selected by the window.
- The **DECREMENT** button decreases the RDAC value by the number of steps selected by the window.
- The **SHUTDOWN** button places the part in shutdown.
- The **STORE** button stores the data contained in the RDAC register to the memory.
- Clicking **EXIT** closes the program but does not reset the part.

EVALUATION BOARD SCHEMATICS AND ARTWORK

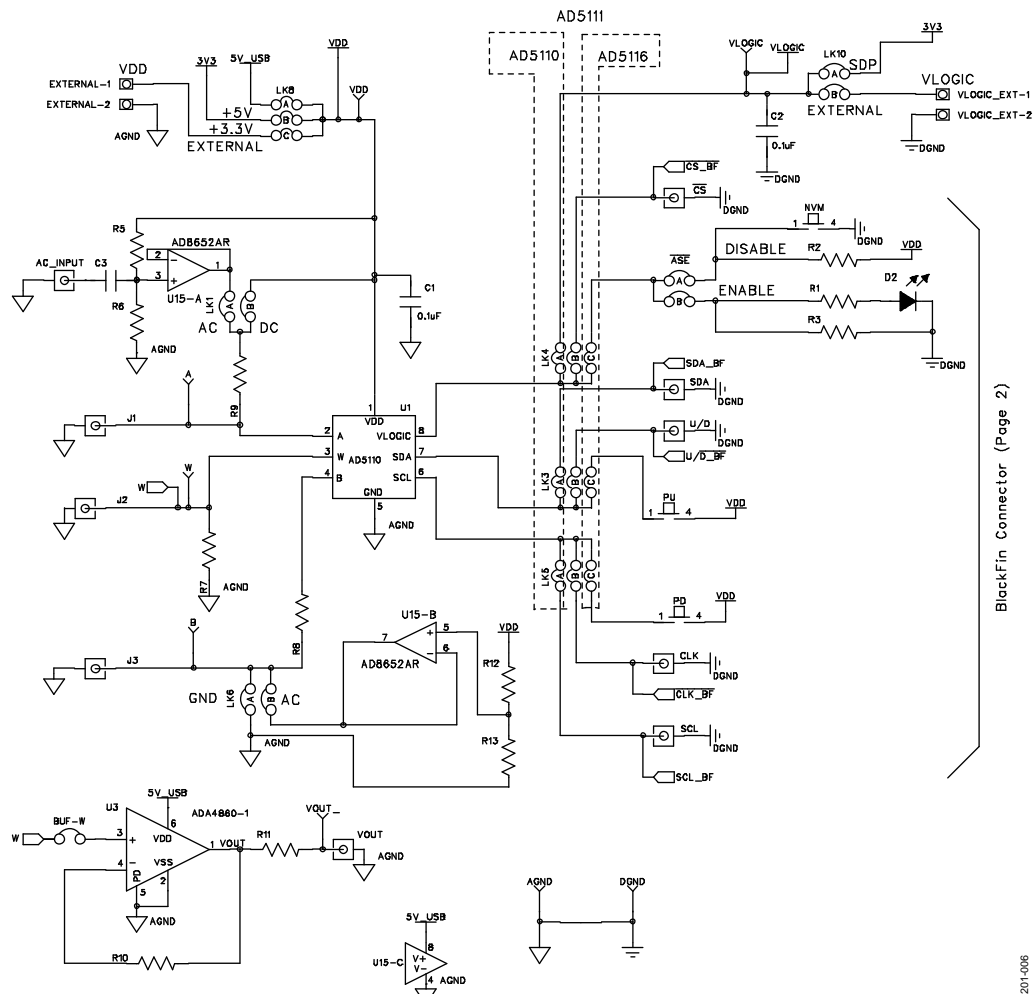


Figure 6. Schematic of the AD5111 Circuitry

10201-006

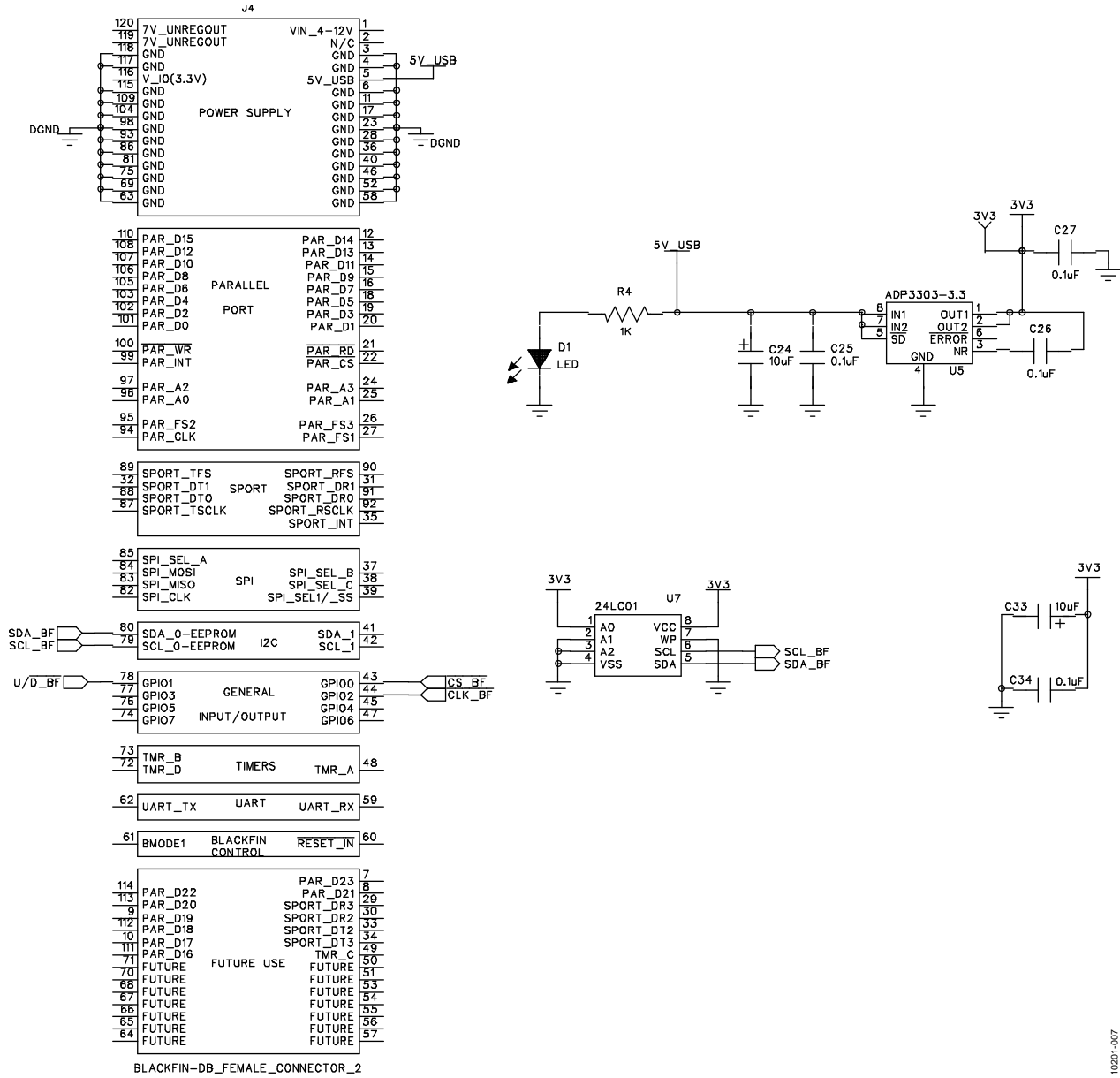


Figure 7. Schematic of SDP Connector

10201-007

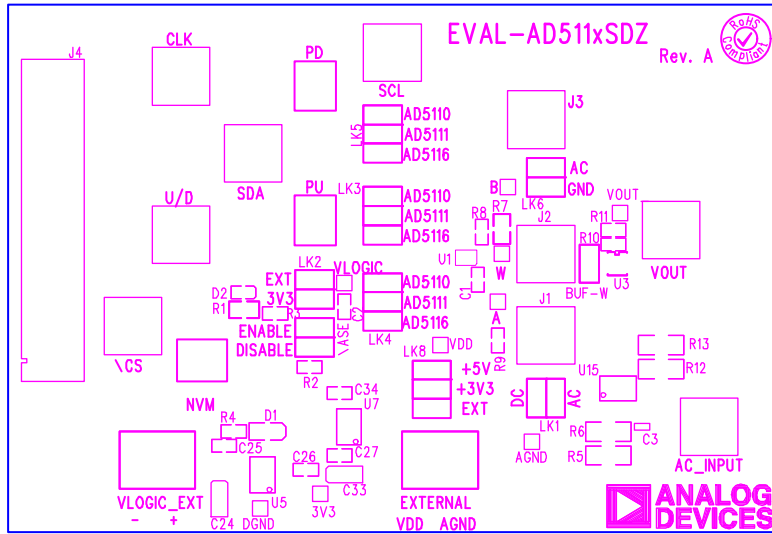


Figure 8. Component Placement Drawing

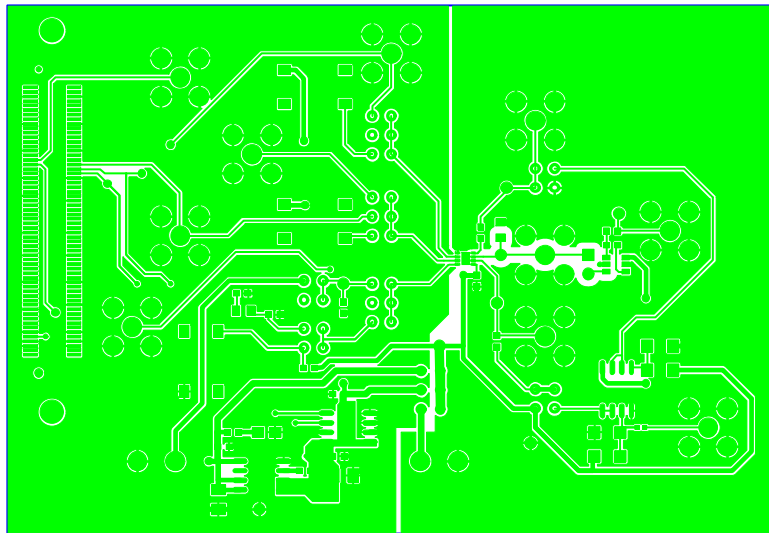
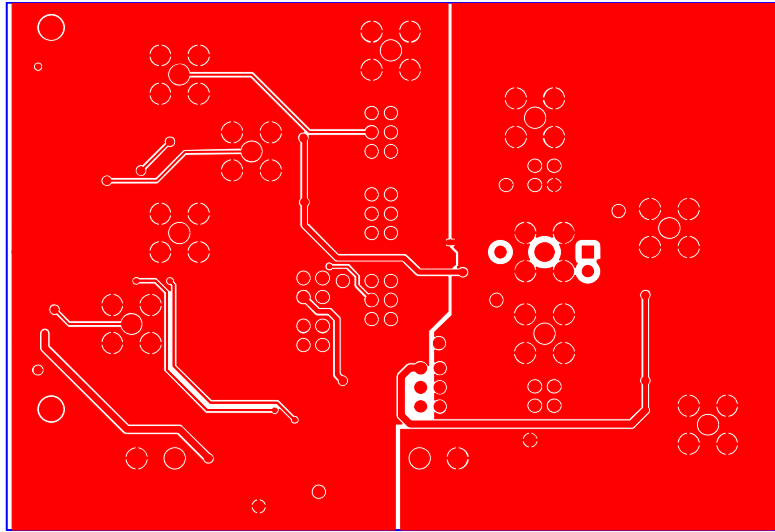


Figure 9. Component Side PCB Drawing



102201-010

Figure 10. Solder Side PCB Drawing

ORDERING INFORMATION**BILL OF MATERIALS**

Table 6.

Qty	Reference Designator	Description	Supplier ¹ /Part Number
1	C3	100 nF, 0402 capacitor	FEC 1414580
1	C1	0.1 μ F, 0603 capacitor	FEC 138-2224
3	C25, C26, C271	0.1 μ F, 0603 capacitor	FEC 301-9482
1	C24	10 μ F, 1206 capacitor	FEC 197-130
1	D1	Green LED	FEC 579-0852
1	EXTERNAL	2-pin connector	FEC 151789
1	J4	Receptacle, 0.6 mm, 120 way	Digi-Key H1219-ND
6	LK1, LK3, LK4, LK5, LK6, LK8	Header, 2-row, 36 + 36 way, and jumper socket, black	FEC 148-535 and FEC 150-411
1	BUF-W	Header, 1-row, 2-way, and jumper socket, black	FEC 102-2247 and FEC 150-411
1	R11	12 Ω , 0603, 1% resistor	FEC 9330534
1	R10	750 Ω , 0603, 1% resistor	FEC 9331506
1	R4	1 k Ω , 0603, 0.01% resistor	FEC 9330380
4	R5, R6, R12, R13	2.7 k Ω , 1206, 1% resistor	FEC 9337288
2	R8, R9	0 Ω , 0603 resistor	FEC 9331662
2	DGND, AGND	Test point, PCB, black, PK100	FEC 873-1128
6	3V3, A, B, VDD, VOUT, W	Test point, PCB, red, PK100	FEC 873-1144
1	U1	AD5111	Analog Devices AD5111
1	U3	ADA4860	Analog Devices ADA4860
1	U5	ADP3303	Analog Devices ADP3303
1	U7	24LC64 serial EEPROM	FEC 9758070
1	U15	AD8652	Analog Devices AD8652

¹ FEC refers to Farnell Electronic Component Distributors.

NOTES

I²C refers to a communications protocol originally developed by Philips Semiconductors (now NXP Semiconductors).

**ESD Caution**

ESD (electrostatic discharge) sensitive device. Charged devices and circuit boards can discharge without detection. Although this product features patented or proprietary protection circuitry, damage may occur on devices subjected to high energy ESD. Therefore, proper ESD precautions should be taken to avoid performance degradation or loss of functionality.

Legal Terms and Conditions

By using the evaluation board discussed herein (together with any tools, components documentation or support materials, the "Evaluation Board"), you are agreeing to be bound by the terms and conditions set forth below ("Agreement") unless you have purchased the Evaluation Board, in which case the Analog Devices Standard Terms and Conditions of Sale shall govern. Do not use the Evaluation Board until you have read and agreed to the Agreement. Your use of the Evaluation Board shall signify your acceptance of the Agreement. This Agreement is made by and between you ("Customer") and Analog Devices, Inc. ("ADI"), with its principal place of business at One Technology Way, Norwood, MA 02062, USA. Subject to the terms and conditions of the Agreement, ADI hereby grants to Customer a free, limited, personal, temporary, non-exclusive, non-sublicensable, non-transferable license to use the Evaluation Board FOR EVALUATION PURPOSES ONLY. Customer understands and agrees that the Evaluation Board is provided for the sole and exclusive purpose referenced above, and agrees not to use the Evaluation Board for any other purpose. Furthermore, the license granted is expressly made subject to the following additional limitations: Customer shall not (i) rent, lease, display, sell, transfer, assign, sublicense, or distribute the Evaluation Board; and (ii) permit any Third Party to access the Evaluation Board. As used herein, the term "Third Party" includes any entity other than ADI, Customer, their employees, affiliates and in-house consultants. The Evaluation Board is NOT sold to Customer; all rights not expressly granted herein, including ownership of the Evaluation Board, are reserved by ADI. CONFIDENTIALITY. This Agreement and the Evaluation Board shall all be considered the confidential and proprietary information of ADI. Customer may not disclose or transfer any portion of the Evaluation Board to any other party for any reason. Upon discontinuation of use of the Evaluation Board or termination of this Agreement, Customer agrees to promptly return the Evaluation Board to ADI. ADDITIONAL RESTRICTIONS. Customer may not disassemble, decompile or reverse engineer chips on the Evaluation Board. Customer shall inform ADI of any occurred damages or any modifications or alterations it makes to the Evaluation Board, including but not limited to soldering or any other activity that affects the material content of the Evaluation Board. Modifications to the Evaluation Board must comply with applicable law, including but not limited to the RoHS Directive. TERMINATION. ADI may terminate this Agreement at any time upon giving written notice to Customer. Customer agrees to return to ADI the Evaluation Board at that time. LIMITATION OF LIABILITY. THE EVALUATION BOARD PROVIDED HEREUNDER IS PROVIDED "AS IS" AND ADI MAKES NO WARRANTIES OR REPRESENTATIONS OF ANY KIND WITH RESPECT TO IT. ADI SPECIFICALLY DISCLAIMS ANY REPRESENTATIONS, ENDORSEMENTS, GUARANTEES, OR WARRANTIES, EXPRESS OR IMPLIED, RELATED TO THE EVALUATION BOARD INCLUDING, BUT NOT LIMITED TO, THE IMPLIED WARRANTY OF MERCHANTABILITY, TITLE, FITNESS FOR A PARTICULAR PURPOSE OR NON-INFRINGEMENT OF INTELLECTUAL PROPERTY RIGHTS. IN NO EVENT WILL ADI AND ITS LICENSORS BE LIABLE FOR ANY INCIDENTAL, SPECIAL, INDIRECT, OR CONSEQUENTIAL DAMAGES RESULTING FROM CUSTOMER'S POSSESSION OR USE OF THE EVALUATION BOARD, INCLUDING BUT NOT LIMITED TO LOST PROFITS, DELAY COSTS, LABOR COSTS OR LOSS OF GOODWILL. ADI'S TOTAL LIABILITY FROM ANY AND ALL CAUSES SHALL BE LIMITED TO THE AMOUNT OF ONE HUNDRED US DOLLARS (\$100.00). EXPORT. Customer agrees that it will not directly or indirectly export the Evaluation Board to another country, and that it will comply with all applicable United States federal laws and regulations relating to exports. GOVERNING LAW. This Agreement shall be governed by and construed in accordance with the substantive laws of the Commonwealth of Massachusetts (excluding conflict of law rules). Any legal action regarding this Agreement will be heard in the state or federal courts having jurisdiction in Suffolk County, Massachusetts, and Customer hereby submits to the personal jurisdiction and venue of such courts. The United Nations Convention on Contracts for the International Sale of Goods shall not apply to this Agreement and is expressly disclaimed.