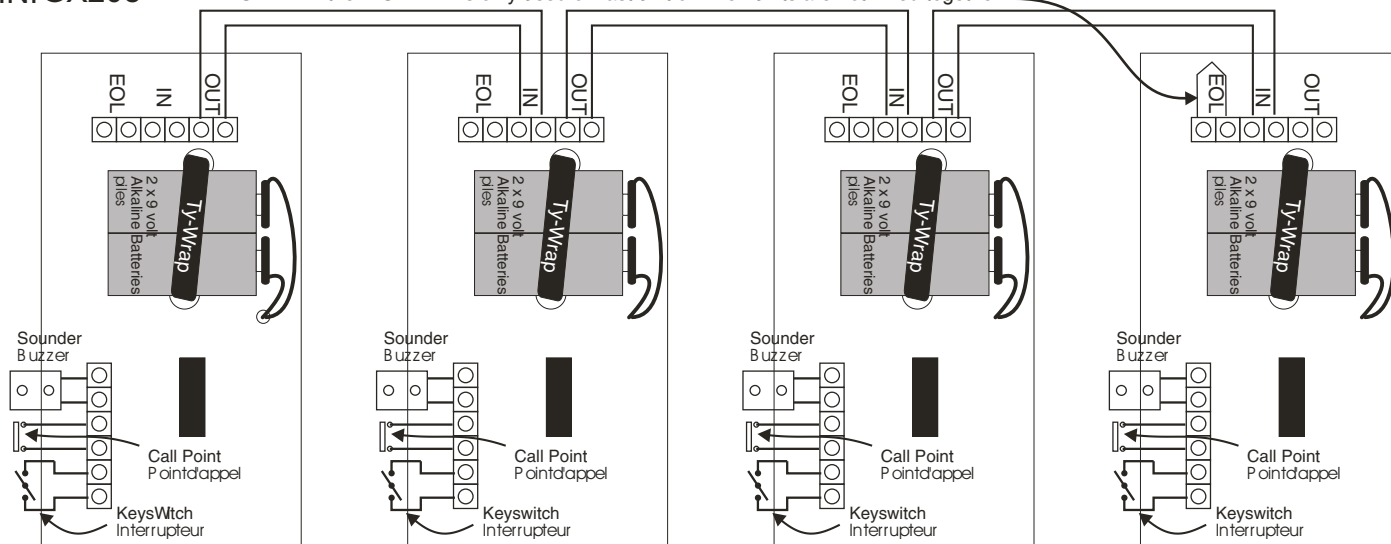


GEMINI GX20e

IMPORTANT the E.O.L. link is only used on last unit or when units are not wired together



The Gemini GX20e is intended as a standalone battery powered fire alarm. Each unit is independently powered from two 9v PP3 size Alkaline batteries.

Installation as a Standalone Unit

GX20e is supplied with two operating keys, a TEST key, batteries and fixing screws etc. Remove the front panel and fix the Back box to any solid surface using the screws provided or with some other suitable form of fixing. Ensure that an EOL link is fitted. Clip the batteries on to the red and black leads. Switch to SILENCE & BATTERY TEST - the sounder will sound and the LEDs will flash alternate Fire & Fault. Return the Keyswitch to RE-START & NORMAL. Test the fire Alarm By inserting the black plastic Test Key in to the underside of the call point, this will simulate an alarm condition. The sounder will sound and the fire LEDs will flash alternately. Turn the Keyswitch to SILENCE. The Fire LEDs will flash and the sounder will give a short warning bleep every 30 seconds. Remove the Test Key and restore the keyswitch to its NORMAL position.

Installation Interconnected.

A two wire connection is required between each unit. It is NOT possible to spur off, the circuit must run through all units as shown above. It is best to install each unit and test it as a standalone unit before making the interconnections. Once it is confirmed that each unit functions correctly disconnect the batteries and make the two wire connections as shown. DO NOT FORGET that the last unit must have the EOL link. Starting with the end of line unit refit the batteries and test each unit in turn as outlined above. It is not recommended that more than four units are interconnected.

Dw: 60083 Iss Jun 03

A cable fault and battery fault monitor is included to detect cable disconnection or short circuit. The batteries should last for at least 12 months depending on the frequency of testing. If batteries need to be replaced therboth should be replaced.

Visual Indications

FIRE

SILENCED after Fire
SILENCED no Fire Condition

BATTERY LOW or cable fault

Audible Warning

FIRE
SILENCED after Fire
SILENCED no Fire Condition

BATTERY LOW or cable fault

Two red LEDs flashing alternately
Two red LEDs flashing together every 30 seconds
Alternate red amber LED if battery is healthy
Flashing amber LED at 2 sec intervals if battery is low
Flashing amber LED every 60 seconds

Continuous Sounder
Bleep every 30 seconds
Continuous (for audibility walk test)
Single bleep every 2 seconds if battery is low
Bleep every 60 seconds

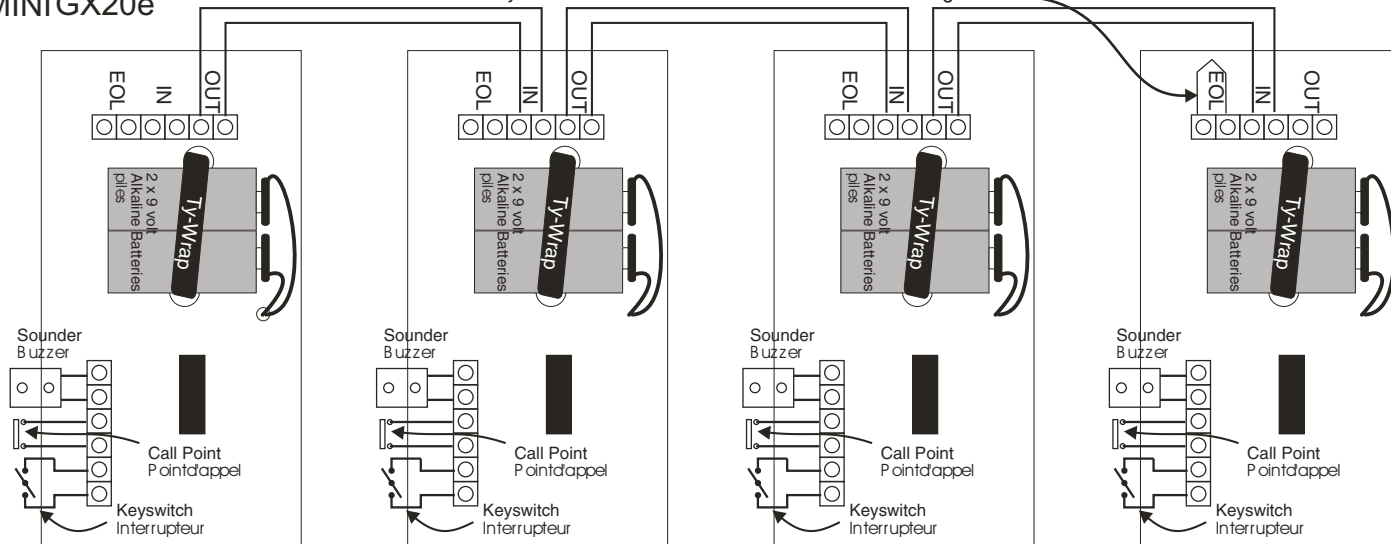


Hoyles Electronic Developments Ltd

T. 01744 886600 F. 01744 886607 E. sales@hoyles.com W. www.hoyles.com

GEMINI GX20e

IMPORTANT the E.O.L. link is only used on last unit or when units are not wired together



The Gemini GX20e is intended as a standalone battery powered fire alarm. Each unit is independently powered from two 9v PP3 size Alkaline batteries.

Installation as a Standalone Unit

GX20e is supplied with two operating keys, a TEST key, batteries and fixing screws etc. Remove the front panel and fix the back box to any solid surface using the screws provided or with some other suitable form of fixing. Ensure that an EOL link is fitted. Clip the batteries on to the red and black leads. Switch to SILENCE & BATTERY TEST - the sounder will sound and the LEDs will flash alternate Fire & Fault. Return the keyswitch to RE-START & NORMAL. Test the fire alarm by inserting the black plastic Test Key in to the underside of the call point, this will simulate an alarm condition. The sounder will sound and the fire LEDs will flash alternately. Turn the Keyswitch to SILENCE. The Fire LEDs will flash and the sounder will give a short warning bleep every 30 seconds. Remove the Test Key and restore the keyswitch to its NORMAL position.

Installation Interconnected.

A two wire connection is required between each unit. It is NOT possible to spur off, the circuit must run through all units as shown above. It is best to install each unit and test it as a standalone unit before making the interconnections. Once it is confirmed that each unit functions correctly disconnect the batteries and make the two wire connections as shown. DO NOT FORGET that the last unit must have the EOL link. Starting with the end of line unit refit the batteries and test each unit in turn as outlined above. It is not recommended that more than four units are interconnected.

Dw: 60083 Iss Jun 03

A cable fault and battery fault monitor is included to detect cable disconnection or short circuit. The batteries should last for at least 12 months depending on the frequency of testing. If batteries need to be replaced therboth should be replaced.

Visual Indications

FIRE

SILENCED after Fire
SILENCED no Fire Condition

BATTERY LOW or cable fault

Audible Warning

FIRE
SILENCED after Fire
SILENCED no Fire Condition

BATTERY LOW or cable fault

Two red LEDs flashing alternately
Two red LEDs flashing together every 30 seconds
Alternate red amber LED if battery is healthy
Flashing amber LED at 2 sec intervals if battery is low
Flashing amber LED every 60 seconds

Continuous Sounder
Bleep every 30 seconds
Continuous (for audibility walk test)
Single bleep every 2 seconds if battery is low
Bleep every 60 seconds



Hoyles Electronic Developments Ltd

T. 01744 886600 F. 01744 886607 E. sales@hoyles.com W. www.hoyles.com