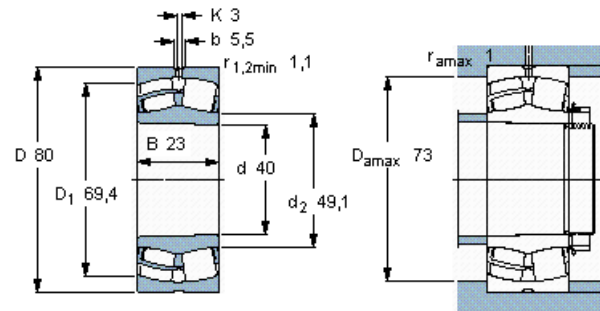


# Spherical roller bearings, cylindrical and tapered bore



Principal dimensions			Basic load ratings		Fatigue load limit $P_u$	Speed ratings		Mass	Designation
d	D	B	dynamic	static		Reference speed	Limiting speed		
mm			kN		kN	r/min		kg	-
40	80	23	96,5	90	9,8	8000	11000	0,52	22208 EK *



Tapered bore, taper  
1: 12

### Calculation factors

- e 0,28
- $Y_1$  2,4
- $Y_2$  3,6
- $Y_0$  2,5