

Inrush current limiter ESG 3



Advantages

Dynamic limit times for optimum inrush of consumers with high inrush currents

Current-controlled with no-load detection, hence full current limit protection, even if momentarily switched back on

Very good moisture protection thanks to XtraDenseFill resin encapsulation

May be used anywhere for stationary and mobile applications

High degree of protection

ESG 3: 2 x 1.4 m connecting cable with DIN 49440,1 safety plug and safety connector (GER)

ESG 4: 2 x 1.4 m connecting cable with BS 1363 safety plug and safety connector (UK)

ESG 5: 2 x 1.4 m connecting cable with NEMA5-15 safety plug and safety connector (USA)

ESG 7: 2 x 1.4 m connecting cable with DIN 49440,1 safety plug and safety connector (GER)

Applications

Inrush current limiting option for limiting the inrush current in power tools, transformers and other consumers with high switch-on or inrush currents.

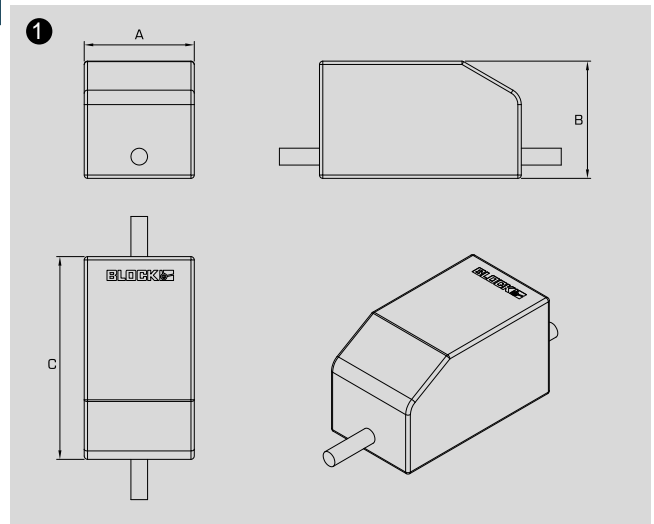
Approvals



Inrush current limiter ESG 3

Type		ESG 3
Electrical data	Operating data	
	Rated voltage	230 Vac
	Voltage range	207 - 253 Vac
	Rated current	16 A
	Internal impedance	7.80 Ω
	Rated frequency	50 - 60 Hz
	Approvals	
	Approvals	-
	Environment	
	Ambient temperature max.	40 °C
	Safety and protection	
	Safety	integrated, non-replaceable thermal fuse in the input circuit
	Type	Resin encapsulated transformer
	Protection index	housing IP 65, housing connections IP 44
	Safety class (prepared)	I
Order numbers		
Order Number	ESG 3	

Type		ESG 3
Mechanical data	Input	
	Terminals Input	Mains connecting cable with DIN49440,1 protected contact plug (GER)
	Output	
Terminals Output	Connecting cable with DIN49440,1 protected contact coupling (GER)	
Measures and weights		
Weight	0.75 kg	



Subjects to change.