

Features

- Simple push fit
- Clean, neat finish
- Re-useable
- No tooling required
- Suitable for light duty applications

RS PRO Rivets

RS Stock No.: See Table



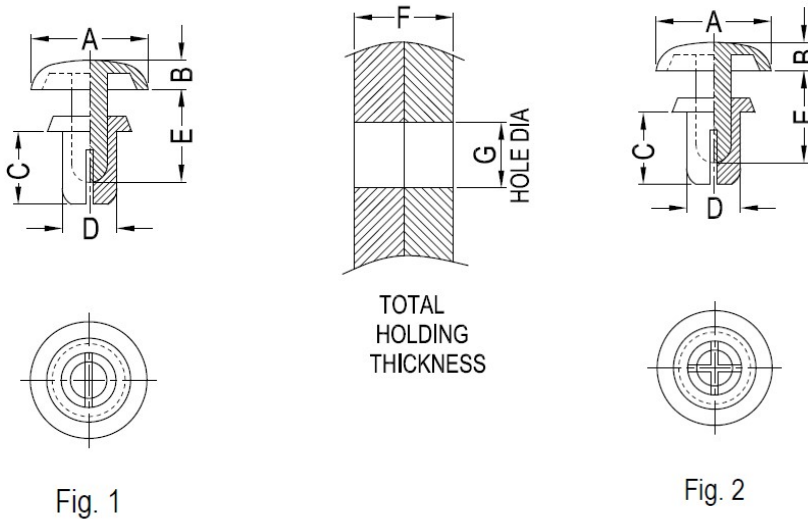
RS PRO is the own brand of RS. The RS PRO Seal of Approval is your assurance of professional quality, a guarantee that every part is rigorously tested, inspected, and audited against demanding standards. Making RS PRO the Smart Choice for our customers.

Product Description

- Expanding push-in Snap Rivets are easy to install
- Push the head in and the grommet expands for a tight fit
- Removable by simply pulling the head
- Typical applications for snap rivets include lighting, motor vehicles, domestic appliances, audio equipment and furniture.

Material Specifications

Material Type	Nylon 6
Rivet Type	Snap
Colour	Black
Finish	Plain
Flammability Rating	UL94-V2
Working Temperature Range	-30°C to +75°C



Part Specifications

Stock#	G (Fixing Hole Dia.)	Extraction Force Kgf (Min)	F (Grip Range)	A (Head Dia.)	B (Head Height)	C (Rivet Length)	D (Rivet Dia.)	E	Fig
0304051	2.1-2.2	3.0	0.6-1.2	4.2	1.2	2.4	2	2.8	1
0304054			1.3-2.0			3.2		3.8	
0304057			2.1-2.8			4.0		5.5	
0304060			2.9-3.6			4.8		5.5	
0304063			3.7-4.4			5.6		7.2	
0304066			4.4-5.2			6.4			
0304069	2.7-2.8	3.0	1.0-2.0	5.0	1.4	3.2	4.6		
0304202			2.0-3.0			4.2			
0304205			2.7-3.6			4.8	6.2		
0304207			3.4-4.3			5.5			
0304211			4.3-5.2			6.4	7.8		
0304213			5.1-6.0			7.2	7.8		
0304216	3.1-3.2	7.0	1.0-2.0	6.4	1.6	3.5	5.1		
0304219			2.0-3.0			4.5			
0304222			2.5-3.5			5.0		6.1	
0304225			3.0-4.0			5.5			
0304228			4.0-5.0			6.5	7.1		
0304230			5.0-6.0			7.5	9.0		
0304233			5.5-6.5			8.0			
0304235			6.5-7.5			9.0	11.0		
0304238			7.5-8.5			10.0			
0304241			11.5-13.0			14.5	15.5		
0304072	4.1-4.2	15.0	1.7-2.5	8.0	1.8	4.0	5.0		
0304075			2.5-3.5			5.0			
0304077			3.0-4.0			5.5	7.1		
0304081			3.5-4.5			6.0			
0304083			4.5-5.5			7.0	9.0		
0304086			5.5-6.5			8.0			
0304089			6.5-7.5			9.0	11.0		
0304092			7.5-8.5			10.0			
0304095			9.0-10.5			12.0	14.0		
0304098			12.5-14.0			15.5		16.6	
0304101	5.1-5.2	20.0	1.5-2.5	9.0	2.2	4.5	6.5		
0304104			2.5-3.5			5.5			
0304106			3.5-4.5			6.5	8.5		
0304109			4.5-5.5			7.5			
0304244			5.5-6.5			8.5	10.5		
0304247	6.1-6.2	30.0	2.5-4.0	12.0	2.5	6.0	6.0	9.0	
0304250			3.5-5.5		3.0			8.0	10.0