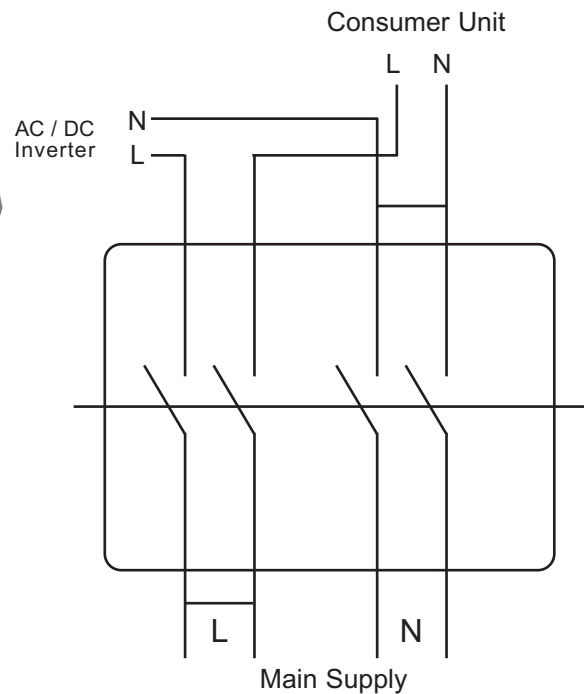


⚠ Important Safety Notice ⚠

It is the responsibility of the person installing the electrical equipment to ensure that the installation meets the requirements of the IET wiring regulations and is therefore 'fit for purpose'. Factors such as correct selection of components, cable sizing, protective devices and Earth bonding are all critical and should be checked prior to full testing and power-up. Any other regulations applicable to the equipment being installed such as the Machinery Directive and current health and safety legislation must also be adhered to. Terminals should be checked periodically to ensure correct tightness.

DO NOT USE POWER TOOLS ON THESE PRODUCTS



Enclosure

- ✓ IP40
- ✓ ABS 4 Module
- ✓ Secure Fit Screw Sealed Lid
- ✓ Security Screw with Wire Lock Off Option

4 Pole Mainswitch Isolator

- ✓ CE & SEMKO Certified
- ✓ EN60947-3
- ✓ 100A AC22A 4 Pole
- ✓ Can be Locked in OFF Position

ⓘ Dimensions

Height: 150mm

Width: 100mm

Depth: 70mm

Europa House, Airport Way, Luton, Beds, LU2 9NH

Tel: 01582 692 440 / Fax: 01582 692 450 e-mail: sales@europacomponents.com

website: <http://www.europacomponents.com>