



Brand of NTN Group

Technical data

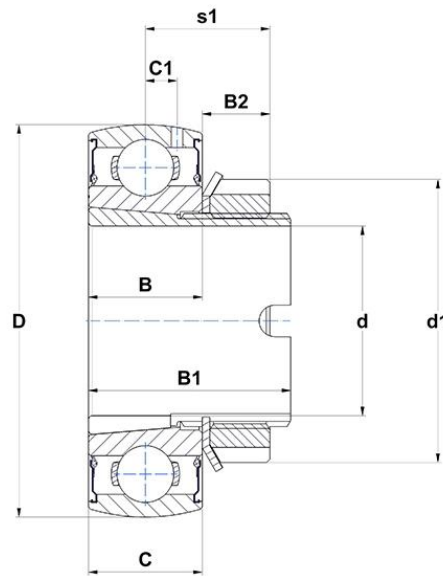
LK208G2H

Insert bearings



Spherical outer diameter, fixing by adapter sleeve (light weight design), single lip seal

VISUAL (S)



PRODUCT DEFINITION

| | |
|---|---------|
| Brand | SNR |
| B - Width of Inner Ring | 22 mm |
| B1 - Overall width Inner Ring | 38 mm |
| B2 - Width of eccentric locking collar/nut | 12,2 mm |
| C - Width of Outer Ring | 21 mm |
| C1 - Distance center of OR to center of lubrication zone | 6,3 mm |
| d - Shaft diameter | 40 mm |
| d1 - Outer dia of eccent. Lock. collar / nut of adapter sleeve | 58 mm |



NTN Europe

1 rue des Usines · BP 2017 · 74010 Annecy Cedex · France · Tel. +33 (0)4 50 65 30 00
S.A. au capital de 322 639 919 € · RCS ANNECY B 325 821 072 · Id. Fiscale : FR 48 325 821 072
SIRET 325 821 072 00015 · Code APE 2815 Z · Code NACE 28.15

PRODUCT DEFINITION

| | |
|---------------------------------|-------|
| D - Outer diameter of OR | 80 mm |
| f0 - Factor | 14.4 |

PRODUCT PERFORMANCE

| | |
|-----------------------------------|-------------|
| C - Dynamic load rating | 29500000 mN |
| C0 - Static load rating | 19800000 mN |
| Operating temperature min. | 253,15 °K |
| Operating temperature max. | 373,15 °K |

OTHER FEATURES

| | |
|-----------------------------------|---------|
| Mass | 0,54 kg |
| Adapter sleeve designation | HLK2308 |

BEARING FREQUENCIES

| | |
|---|---------------------|
| BPFO - Over rolling frequency on outer ring (60 rpm) | 4.532 Hz |
| BPFI - Over rolling frequency on inner (60 rpm) | 6.468 Hz |
| BSF - Over rolling frequency on rolling element (60 rpm) | 5.50581818181818 Hz |
| BRF - Rotational frequency - rolling element (60 rpm) | 2.75290909090909 Hz |
| FTF - Rotational frequency - cage (60 rpm) | 0.412 Hz |

