



Brand of NTN Group

## Technical data

### MUCNFL208

Bearing units

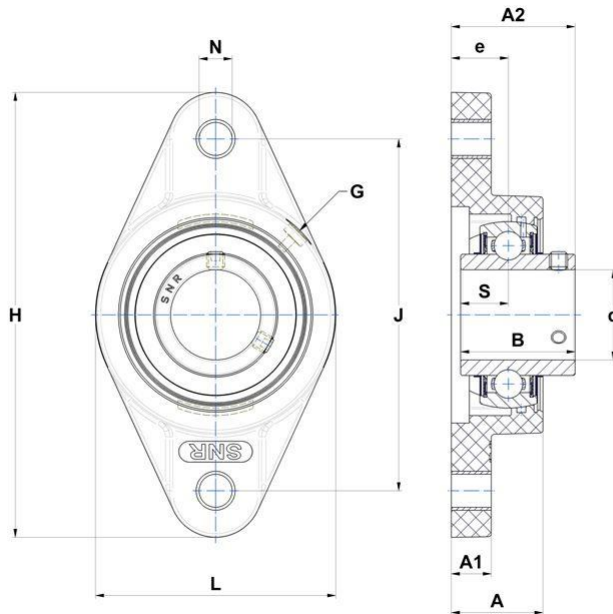


Thermoplastic housing, stainless steel insert ball bearing with socket set screws, seal with slinger, food grease

## KIT CONTENT

MUC208FD, NFL208

## VISUAL (S)



## PRODUCT DEFINITION

<b>Brand</b>	SNR
<b>A - Housing height</b>	37,5 mm
<b>A1 - Housing foot height / flange height</b>	20 mm
<b>A2 - Total height from mounting surface</b>	51,7 mm
<b>B - Width of Inner Ring</b>	49,2 mm



**NTN Europe**

1 rue des Usines · BP 2017 · 74010 Annecy Cedex · France · Tel. +33 (0)4 50 65 30 00  
S.A. au capital de 322 639 919 € · RCS ANNECY B 325 821 072 · Id. Fiscale : FR 48 325 821 072  
SIRET 325 821 072 00015 · Code APE 2815 Z · Code NACE 28.15

**PRODUCT DEFINITION**

<b>d - Shaft diameter</b>	40 mm
<b>e - Distance mounting surface to bearing center</b>	21,5 mm
<b>G - Grease fitting</b>	1/4"-28
<b>H - Housing length, width or diameter</b>	175 mm
<b>J - Mounting holes distance</b>	144 mm
<b>L - Housing width / diameter</b>	100 mm
<b>N - Mounting hole dimension</b>	14 mm
<b>S - Distance front side/bearing centre</b>	19 mm

**PRODUCT PERFORMANCE**

<b>C - Dynamic load rating</b>	24900000 mN
<b>C0 - Static load rating</b>	14300000 mN
<b>Operating temperature min.</b>	253,15 °K
<b>Operating temperature max.</b>	373,15 °K

**OTHER FEATURES**

<b>Mass</b>	0,87 kg
<b>Recommended tightening torque for set screw</b>	8.3 N-m

