

## Features

- 10 Pin Plug & Socket Set
- Cable to Cable Connections
- SY25 Series
- Solder
- Bayonet Coupling
- Cable Outer Diameter: 10-14mm
- Used in Factory Automation, Robotics, Industrial Machinery, Railway & Transportation, Aerospace & Defence, Medical Equipment, Renewable Energy Systems etc.

## Product Description

## RS PRO Industrial Circular Connectors

RS Stock No.: 0672253



RS PRO is the own brand of RS. The RS PRO Seal of Approval is your assurance of professional quality, a guarantee that every part is rigorously tested, inspected, and audited against demanding standards. Making RS PRO the Smart Choice for our customers.

*The RS PRO range of industrial circular cable connectors is engineered for robust and reliable performance in demanding environments. Featuring a circular design for secure mating and easy installation, these connectors deliver outstanding protection against dust, moisture, and mechanical stress. This makes them an ideal choice for industrial automation, robotics, and outdoor applications where durability is critical. Designed to support both power and signal transmission, the connectors offer aesthetic consistency across your project by allowing a single series to be used for multiple functions.*

## General Specifications

<b>Number of Contacts</b>	10
<b>Shell Material</b>	Polycarbonate, Nylon66, fire resistance: V-0
<b>Insert Material</b>	Polyphenylene Sulphide (PPS)
<b>Contact Material</b>	Brass Alloy
<b>Contact Plating</b>	Gold
<b>Pole Format</b>	10P
<b>Contact Gender</b>	Male & Female
<b>Mating Type</b>	Bayonet
<b>Mating Cycles</b>	500
<b>Colour</b>	Black

## Electrical Specifications

<b>Plug/Socket</b>	Plug & Socket
<b>Termination</b>	Solder
<b>Current Rating</b>	10A
<b>Voltage Rating</b>	500V
<b>Insulation Resistance</b>	2000M $\Omega$
<b>Contact Resistance</b>	2.5m $\Omega$ Max

## Mechanical Specifications

<b>Connector Size</b>	SY25
<b>Contact Diameter</b>	1.5mm

Cable Outer Diameter	10-14mm
Wire size (mm <sup>2</sup> / AWG)	≤2 / 14

## Operation Environment Specifications

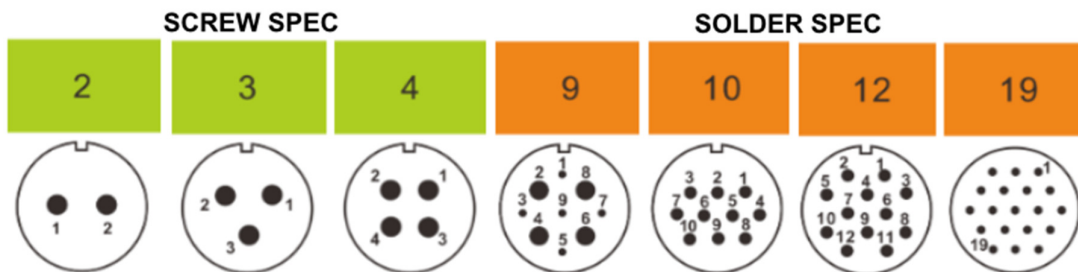
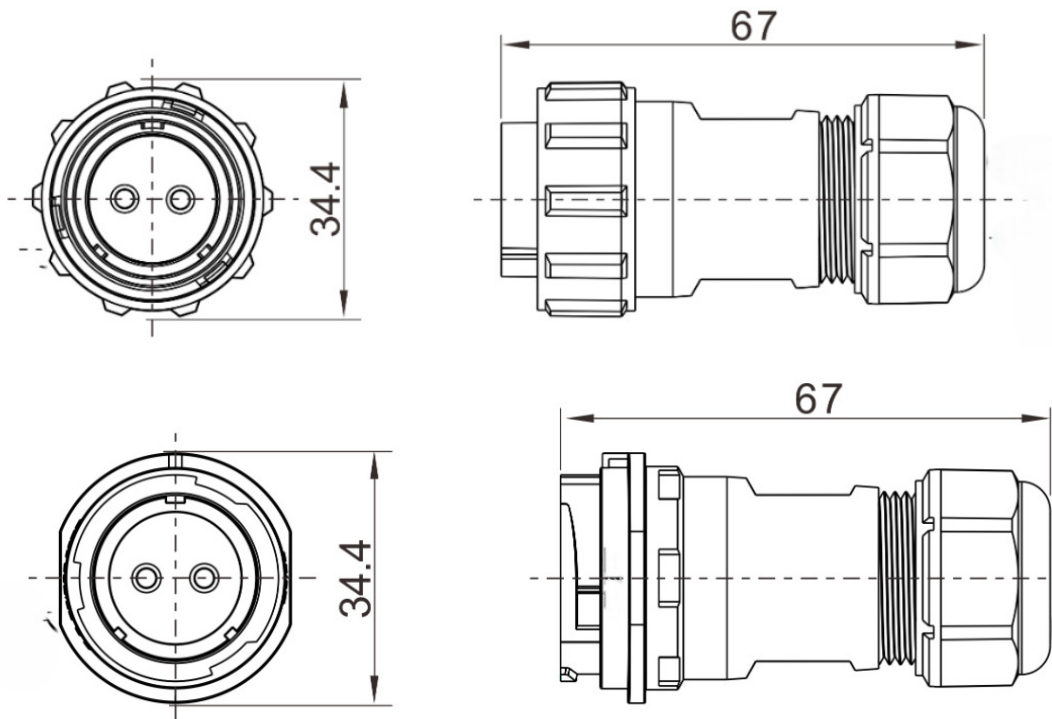
Operating Temperature	-40°C to 85°C
-----------------------	---------------

## Protection Category

IP Rating	IP67
-----------	------

## Approvals

Compliance/Certifications	RoHS, CE
---------------------------	----------



## Similar Products

Parameters	SY2510/P2II2NBN P&SY2511C/S2II2 CBNP	0672249	0672250	0672252
<b>Number of Contacts</b>	2	3	4	9
<b>Current Rating</b>	10	10	10	5 & 25
<b>Voltage Rating</b>	500	500	500	500
<b>Termination Method</b>	Screw	Screw	Screw	Solder
<b>Wire size (mm<sup>2</sup>)</b>	0.5-1.5	0.5-1.5	0.5-1.5	≤0.75 & ≤4
<b>Contact Diameter</b>	2.5mm	2.5mm	2.5mm	1 & 2.5mm

Parameters	0672254	0672255
<b>Number of Contacts</b>	12	19
<b>Current Rating</b>	10	5
<b>Voltage Rating</b>	500	400
<b>Termination Method</b>	Solder	Solder
<b>Wire size (mm<sup>2</sup>)</b>	≤2	≤0.75
<b>Contact Diameter</b>	1.5mm	1mm