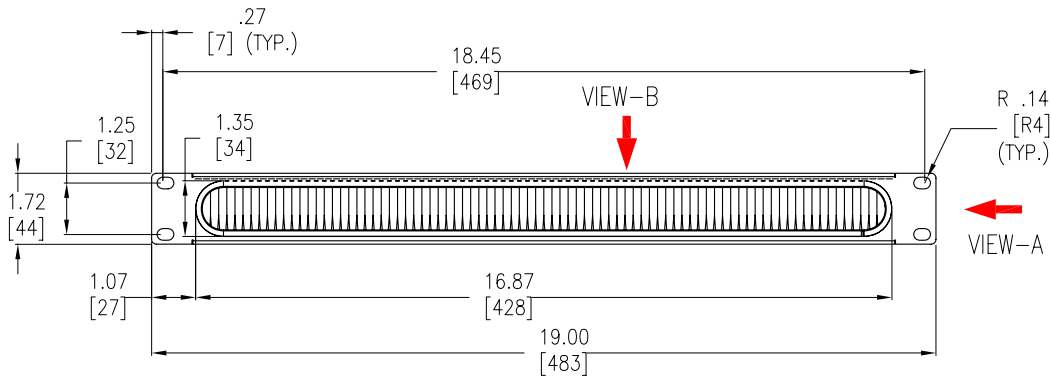
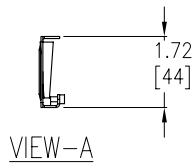


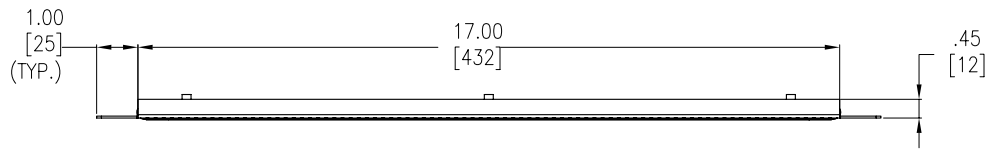
SKU DETAILS



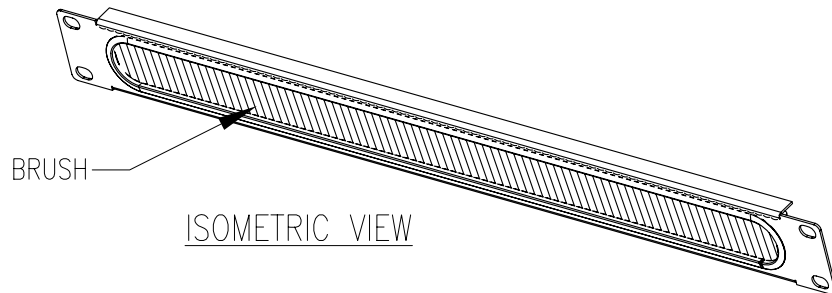
FRONT VIEW



VIEW-A



VIEW-B

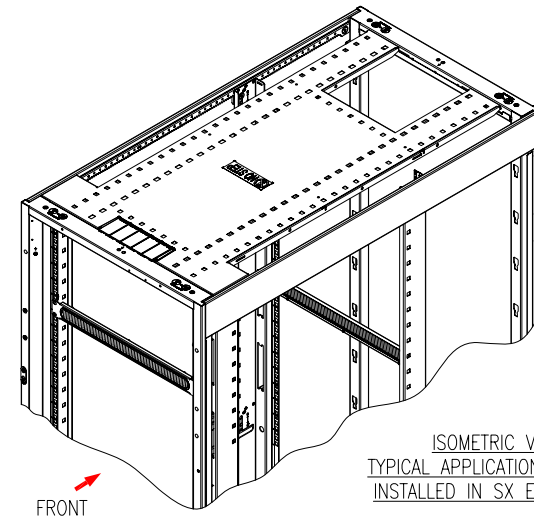
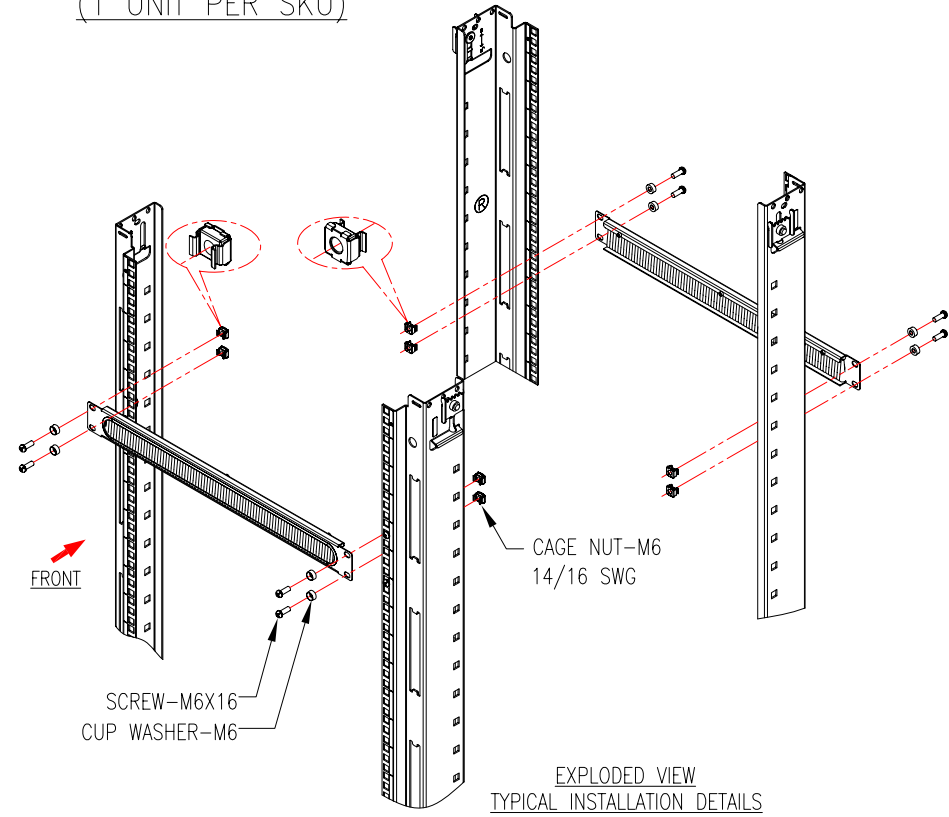


ISOMETRIC VIEW

NOTES:

1. INSTALLATION MUST COMPLY WITH ALL APPLICABLE NATIONAL AND LOCAL CODES.
2. PLEASE REFER TO APC PRODUCT MANUAL FOR DETAILS.
3. ALL DIMENSIONS ARE IN INCHES [MILLIMETERS].
4. EACH SKU INCLUDES ACCESSORIES OF (4)SCREWS, (4)CUP WASHERS & (4)CAGE NUTS.
5. WEIGHT OF UNIT IS 0.5 LBS [0.23 kg].

APPLICATION DETAILS (1 UNIT PER SKU)



ISOMETRIC VIEW
TYPICAL APPLICATION EXAMPLE,
INSTALLED IN SX ENCLOSURE

THIS DRAWING AND SPECIFICATIONS HEREIN ARE THE PROPERTY OF AMERICAN POWER CONVERSION AND SHALL NOT BE COPIED, REPRODUCED OR USED IN WHOLE OR IN PART, AS THE BASIS FOR THE MANUFACTURE OR SALE OF ITEMS WITHOUT WRITTEN PERMISSION FROM APC. THIS DRAWING IS BASED UPON LATEST AVAILABLE INFORMATION AND IS SUBJECT TO CHANGE WITHOUT NOTICE.

APC
www.apc.com

TITLE: HORIZONTAL
CABLE ORGANIZER - 1U WITH BRUSH STRIP
MECHANICAL

PROJECT: SUBMITTAL DRAWINGS SHEET 1 OF 1

DWG NO: AR8429

DRAWN: NAGENDRA 03-JAN-08

ENGINEER: M.UHRHAN/B.OLIVER 03-JAN-08

APPROVED: B.SHERIDAN/E.SILVA/C.LARSEN/S.WACH 03-JAN-08

REV: 0

ANGLE

PROJECTION

N.A