



Brand of NTN Group

Technical data

SUCF205CO

Bearing units

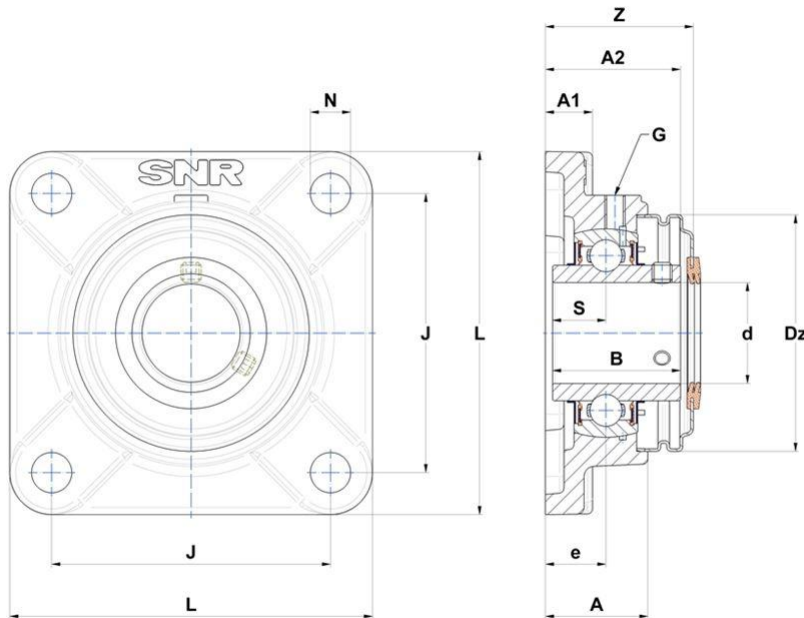


Stainless steel cast housing, stainless steel insert ball bearing with socket set screws, seal with slinger, food grease

KIT CONTENT

SUC205, SCO205-25, SF205N

VISUAL (S)



PRODUCT DEFINITION

Brand	SNR
A - Housing height	27 mm
A1 - Housing foot height / flange height	14 mm
A2 - Total height from mounting surface	35,8 mm
B - Width of Inner Ring	34,1 mm



NTN Europe

1 rue des Usines · BP 2017 · 74010 Annecy Cedex · France · Tel. +33 (0)4 50 65 30 00
S.A. au capital de 322 639 919 € · RCS ANNECY B 325 821 072 · Id. Fiscale : FR 48 325 821 072
SIRET 325 821 072 00015 · Code APE 2815 Z · Code NACE 28.15

PRODUCT DEFINITION

d - Shaft diameter	25 mm
Dz - Outer diameter of cover	60 mm
e - Distance mounting surface to bearing center	16 mm
G - Grease fitting	M6x1
J - Mounting holes distance	70 mm
L - Housing width / diameter	95 mm
N - Mounting hole dimension	12 mm
S - Distance front side/bearing centre	14,3 mm
Z - Width over covers	39,1 mm

PRODUCT PERFORMANCE

C - Dynamic load rating	14000000 mN
C0 - Static load rating	7800000 mN
Operating temperature min.	253,15 °K
Operating temperature max.	373,15 °K

OTHER FEATURES

Mass	0,954 kg
Recommended tightening torque for set screw	3.9 N-m

