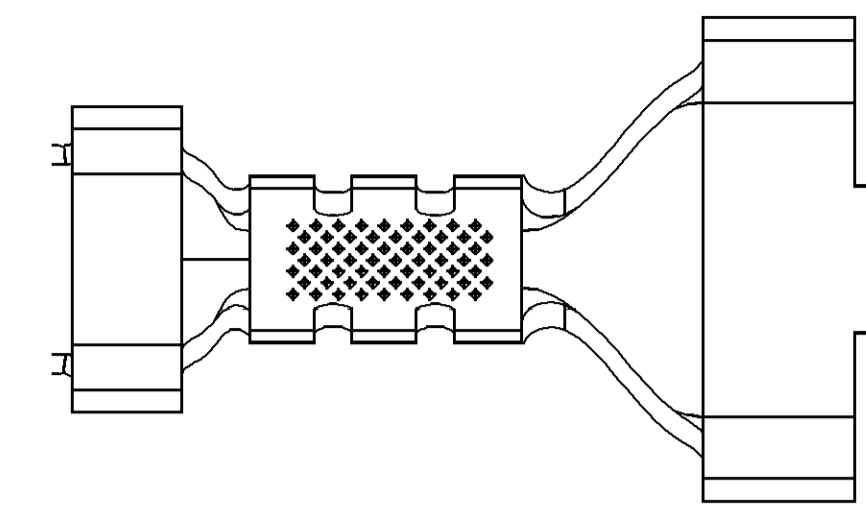
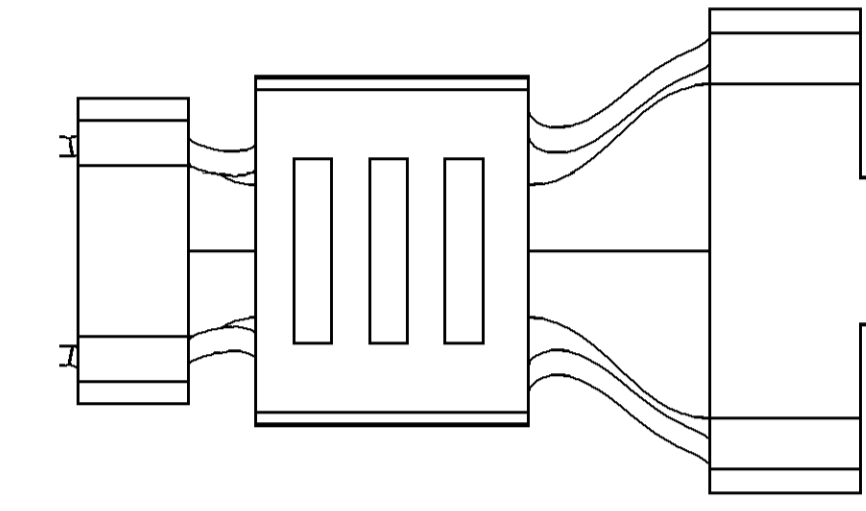


SYMBOL DEFINITION		TOTAL NO OF INSPECTIONS REQUIRED	MISSING SYMBOLS
A DIMENSION WITHOUT AN INSPECTION REPORT SYMBOL DOES NOT REQUIRE INSPECTION. IT MAY BE CONTROLLED ON THE INDIVIDUAL COMPONENT DRAWING.		8	NO MISSING SYMBOL NUMBER
		8	

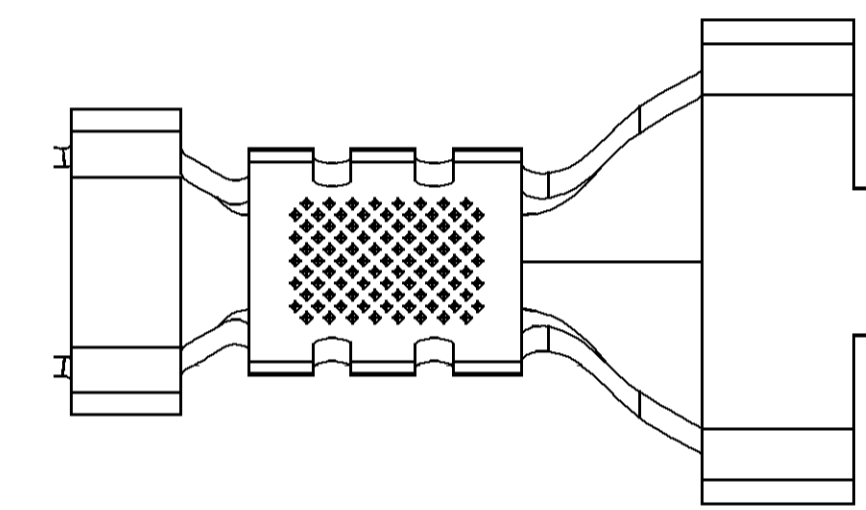
DWS STATUS		ZONE		REVISION HISTORY		AUTH	DR	APVD	APVD
DATE	STG	REV	N/P	CHG					
05N003	R	01	-	-	ALL PARTS - REDRAWN TO PD	246857	JGR	RCH	JDY
21DE06	R	02	-	-	MATERIAL FOR P/N 12146576 AND 12146501 WAS P1519285 MATERIAL FOR P/N 12124587, 12124582, 12089307, 12089040 WAS P1519285	282294	TMF	TMF	TM
05AP11	R	03	-	-	ALL ACTIVE PARTS - ADDED TERMINAL ALIGNMENT VIEWS	413854	JEG	JVM	MAC
25MY12	R	04	-	-	12089306 AND 12089305 - ADDED REPLACED BY COLUMN	418180	JRV	FRE	JRV



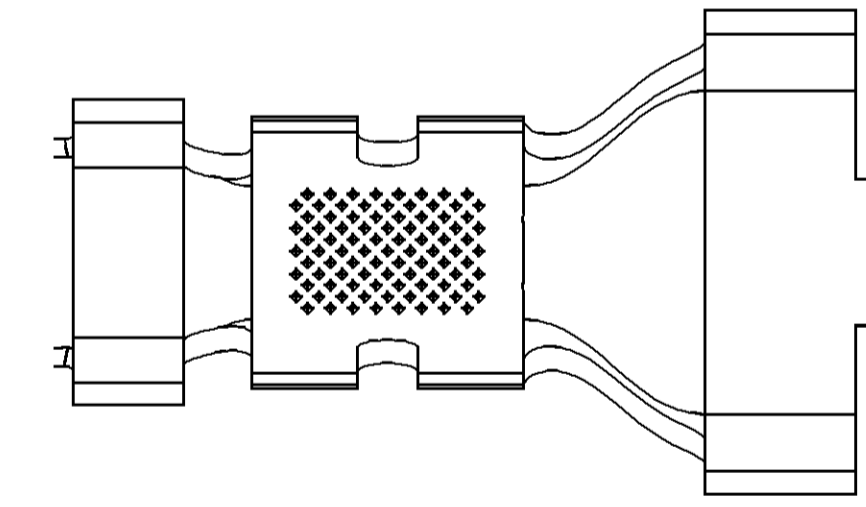
TYPE 102  
SAME AS TYPE 101  
EXCEPT AS SHOWN



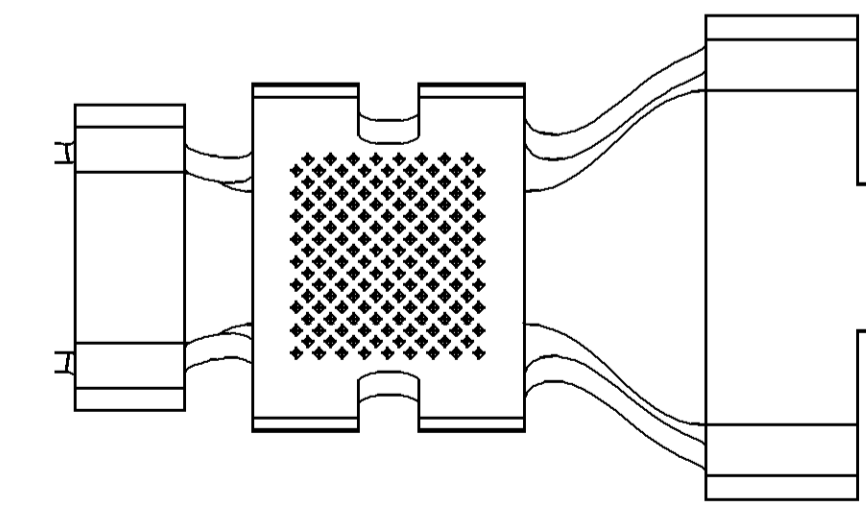
TYPE 103  
SAME AS TYPE 101  
EXCEPT AS SHOWN



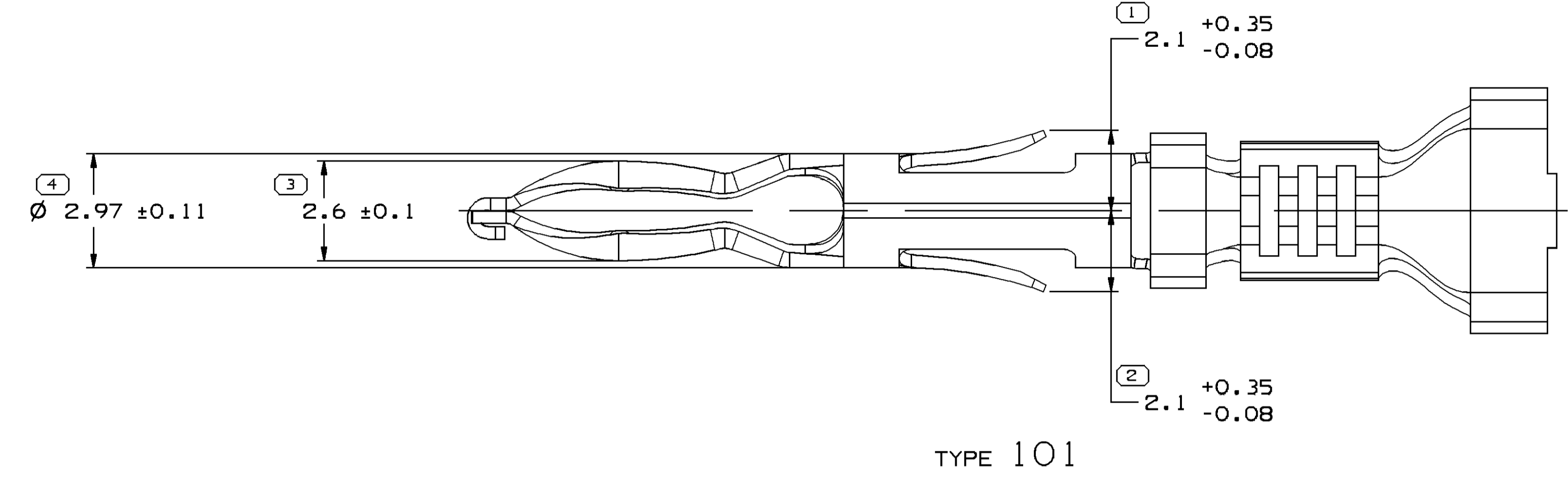
TYPE 104  
SAME AS TYPE 101  
EXCEPT AS SHOWN



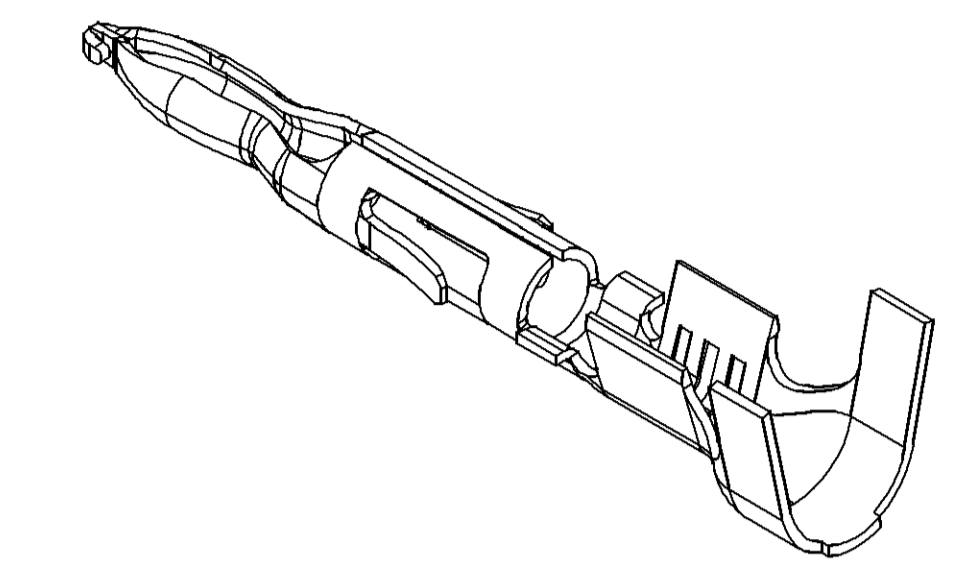
TYPE 105  
SAME AS TYPE 101  
EXCEPT AS SHOWN



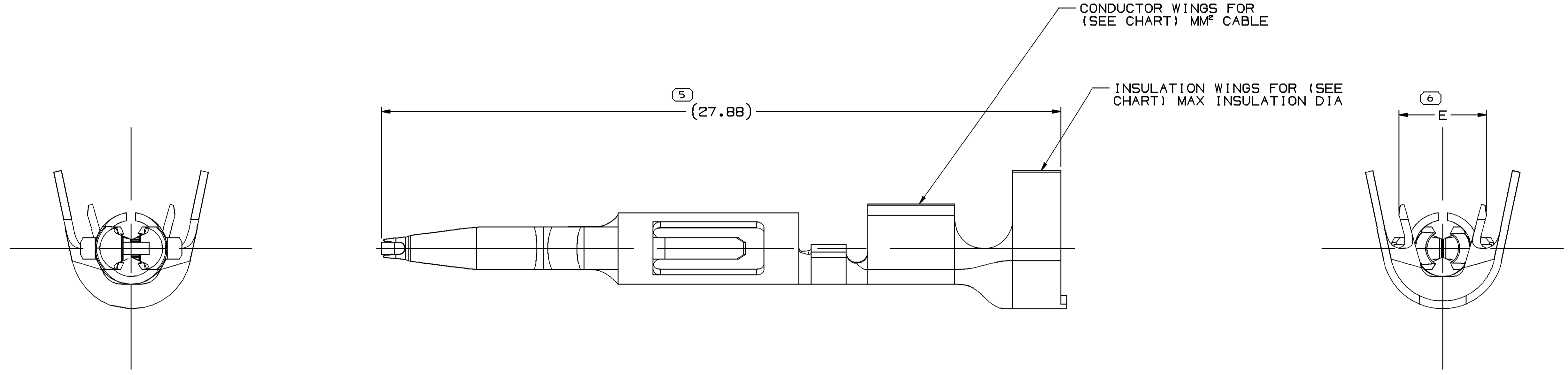
TYPE 106  
SAME AS TYPE 101  
EXCEPT AS SHOWN



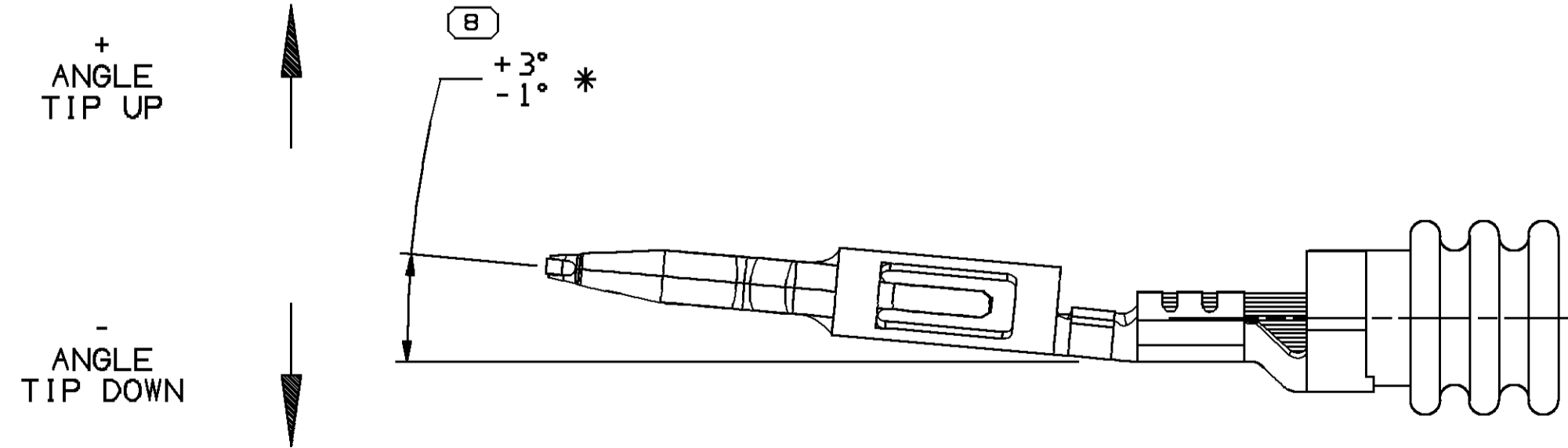
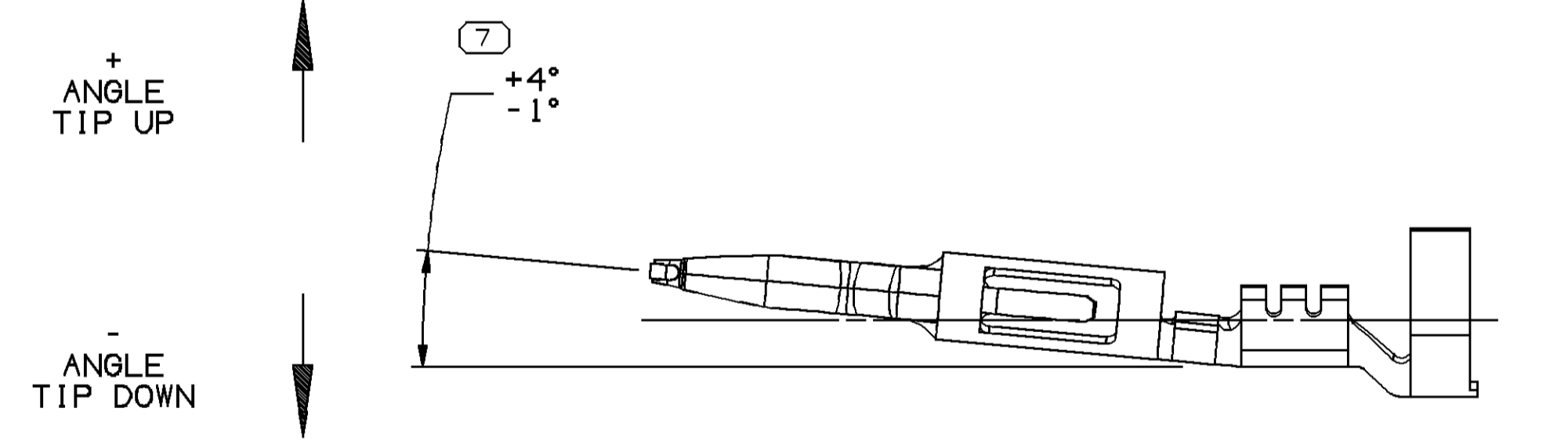
TYPE 101



SCALE 5:1



TERMINAL ALIGNMENT (TERMINAL MAKE)  
MEASURED FROM BOTTOM OF CORE WING  
SCALE 5:1



TERMINAL, SEAL AND CABLE ALIGNMENT  
MEASURED FROM BOTTOM OF CORE CRIMP  
SCALE 5:1

- NOTES
- UNLESS OTHERWISE SPECIFIED AND/OR INDICATED: DIMENSIONS ARE TO FACE OF VIEW SHOWN AND AUTOMATICALLY ROUNDED BY COMPUTER FOR INSPECTION (SEE MATH MODEL FOR PRECISE DIMENSIONS). FOR ALL OTHER DIMENSIONS NOT SHOWN BUT REQUIRED FOR TOOL BUILD, SEE MATH MODEL FOR PRECISE TOOL PATH DATA.
  - "PXX" INDICATES "P" PLUS LAST TWO DIGITS OF MAKE DIE SERIES NUMBER (P01, P02, P03, ETC).
  - TERMINAL DESIGNED FOR 3MM<sup>2</sup> CABLE. TERMINAL IS RATED AT 20 AMPERES. DO NOT EXCEED RATED CURRENT.
  - \* DENOTES DIMENSIONS MADE AT CUT-OFF AND CRIMP DIE.

PART NO	REV	N/P	STATUS	MAT'L SIZE	MAT'L SPEC	CABLE SIZE (MM <sup>2</sup> )	MAX. CABLE DIA.	I.D.NO.	TYPE	E±0.4	REPLACED BY
12146576	B3	-		0.320X36.53	M3639285	0.35-0.22	1.86	23	102	2.2	-
12146501	B3	-		0.320X36.53	M3639285	0.8-0.5	3.11	19	104	3	-
12124587	B3	-		0.320X36.53	M1574285	SEE NOTE 3	3.96	11	106	4.6	-
12124582	B3	-		0.320X36.53	M1574285	2-1	3.96	15	105	3.6	-
12089307	B3	-		0.320X36.53	M1574285	0.35-0.22	1.86	23	102	2.2	-
12089306	B1	-	OBsolete	0.320X36.53	P-1519285	SEE NOTE 3	3.96	11	103	4.6	12124587
12089305	B1	-	OBsolete	0.320X36.53	P-1519285	2-1	3.96	15	101	3.6	12124582
12089040	C3	-		0.320X36.53	M1574285	0.8-0.5	3.11	19	104	3	-

DWS TYPE		PART DRAWING	
STYLE	D		
VOLUME (OMP)	DISTR CODE		
UNLESS OTHERWISE SPECIFIED			
THIS DOCUMENT IS IN ACCORDANCE WITH ASME Y14.5M-1994 AS MODIFIED BY THE 2003 SUPPLEMENT AND TELEPHANING ADDENDUM-2001. SEPARATE PATTERNS OF FEATURES MAY BE SHOWN SEPARATELY, REGARDLESS OF DIMENSIONS.			
ALL DIMENSIONS ARE IN MILLIMETERS			
REFERENCE			
DIMENSIONAL RANGE (MM)		CHART CD	
FROM	TO	0	> 12
TOLERANCE UNLESS OTHERWISE SPECIFIED		USE MATH DATA	
±0.1	±0.2	ANGULAR TOLERANCE ±2°	
DO NOT SCALE		USE MATH DATA	
THIRD ANGLE PROJECTION		DO NOT SCALE	

**DELPHI**  
DELPHI PACKARD ELECTRICAL/ELECTRONIC ARCHITECTURE  
WARREN, OH  
COPYRIGHT 2003 DELPHI CORPORATION AND/OR ITS AFFILIATES. ALL RIGHTS RESERVED.  
THIS DRAWING IS THE PROPERTY OF DELPHI CORPORATION. THE REPRODUCTION, DISTRIBUTION AND UTILIZATION OF THIS DOCUMENT OR ITS RELATED CAD DATA, AS WELL AS COMMUNICATION OF ANY CONTENT TO OTHERS, WITHOUT EXPRESS AUTHORIZATION IS PROHIBITED.

DR	DATE
APV01 J.GAVALDON	05N003
APV02 R.CHACON	05N003
APV03 J.DEL VAL	07N003
APV04	

THIS DOCUMENT IS THE PROPERTY OF DELPHI CORPORATION. THE REPRODUCTION, DISTRIBUTION AND UTILIZATION OF THIS DOCUMENT OR ITS RELATED CAD DATA, AS WELL AS COMMUNICATION OF ANY CONTENT TO OTHERS, WITHOUT EXPRESS AUTHORIZATION IS PROHIBITED.

DRAWING NUMBER: 12010088

TAXI TERM M W/P SEALED TANG

SIZE	SCALE	FRAME NO	SHEET NO	STG	REV	N/P
A0	10:1	1	1	1	04	-