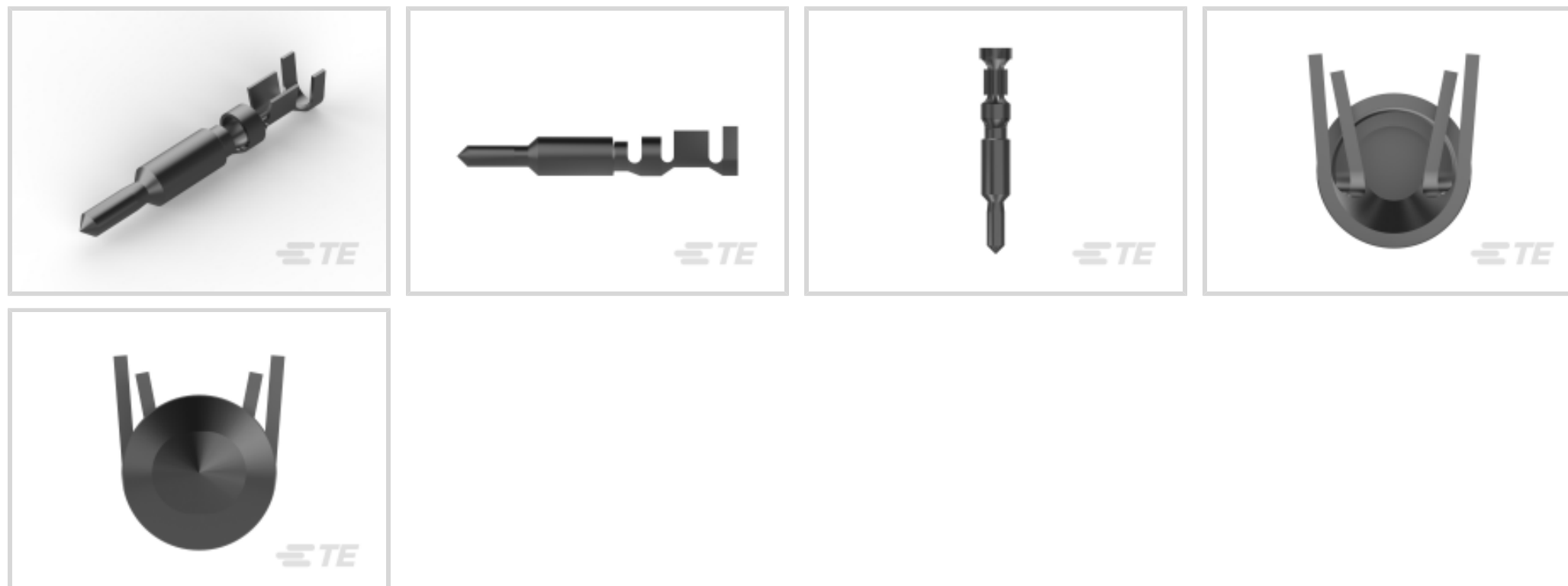




Connectors > Power Connectors > Power Contacts



Product Type: **Contact**

Operating Voltage: **600 VAC**

Wire Size: **.5 – 2 mm²**

Connector System: **Wire-to-Wire**

Features

Product Type Features

| | |
|-----------------------------------|--------------|
| Product Type | Contact |
| Connector System | Wire-to-Wire |
| Connector & Contact Terminates To | Wire & Cable |

Electrical Characteristics

| | |
|-------------------|---------|
| Operating Voltage | 600 VAC |
|-------------------|---------|

Contact Features

| | |
|--|----------|
| Contact Current Rating (Max) | 7 A |
| Contact Type | Pin |
| Contact Base Material | Brass |
| Contact Mating Area Plating Material | Pre-Tin |
| Contact Termination Area Plating Material | Pre-Tin |
| Wire Contact Termination Area Plating Material | Pre-Tin |
| Contact Angle | Straight |

Termination Features

| | |
|------------------|-------|
| Termination Type | Crimp |
|------------------|-------|

Mechanical Attachment

| | |
|------------------------------|----------------------------|
| Connector Mounting Type | Cable Mount (Free-Hanging) |
| Contact Retention in Housing | Without |
| Wire Insulation Support | Without |

Dimensions

| | |
|--|-----------------------------|
| Wire Size | .5 – 2 mm ² |
| Mating Pin Diameter | 2.18 mm[.086 in] |
| Accepts Wire Insulation Diameter Range | 1.52 – 3.3 mm[.06 – .13 in] |

Usage Conditions

| | |
|-----------------------------|----------------------------|
| Operating Temperature Range | -55 – 120 °C[-67 – 248 °F] |
|-----------------------------|----------------------------|

Operation/Application

| | |
|---------------------|-------|
| Circuit Application | Power |
| For Multiple Crimp | No |

Industry Standards

| | |
|------------------|-------------------------------|
| CSA Rating | Certified |
| Glow Wire Rating | Standard Part - Not Glow Wire |
| VDE Tested | Yes |
| Agency/Standard | CSA, UL |
| CSA File Number | LR 7189 |
| UL Rating | Recognized |
| UL File Number | E28476 |

Packaging Features

| | |
|--------------------|------|
| Packaging Method | Reel |
| Packaging Quantity | 4000 |

Other

| | |
|-----------------|---------------------------------------|
| Wire/Cable Type | Discrete Wire |
| Wire Type | Stranded |
| For Use With | Standard Universal MATE-N-LOK(Socket) |

Product Compliance

[For compliance documentation, visit the product page on TE.com>](#)

| | |
|------------------------------|-----------|
| EU RoHS Directive 2011/65/EU | Compliant |
| EU ELV Directive 2000/53/EC | Compliant |

| | |
|---|--|
| China RoHS 2 Directive MIIT Order No 32, 2016 | No Restricted Materials Above Threshold |
| EU REACH Regulation (EC) No. 1907/2006 | Current ECHA Candidate List: JAN 2019 (197) Candidate List Declared Against: JAN 2019 (197) |
| Halogen Content | Low Halogen - Br, Cl, F, I < 900 ppm per homogenous material. Also BFR/CFR/PVC Free |
| Solder Process Capability | Not applicable for solder process capability |

Product Compliance Disclaimer

This information is provided based on reasonable inquiry of our suppliers and represents our current actual knowledge based on the information they provided. This information is subject to change. The part numbers that TE has identified as EU RoHS compliant have a maximum concentration of 0.1% by weight in homogenous materials for lead, hexavalent chromium, mercury, PBB, PBDE, DBP, BBP, DEHP, DIBP, and 0.01% for cadmium, or qualify for an exemption to these limits as defined in the Annexes of Directive 2011/65/EU (RoHS2). Finished electrical and electronic equipment products will be CE marked as required by Directive 2011/65/EU. Components may not be CE marked. Additionally, the part numbers that TE has identified as EU ELV compliant have a maximum concentration of 0.1% by weight in homogenous materials for lead, hexavalent chromium, and mercury, and 0.01% for cadmium, or qualify for an exemption to these limits as defined in the Annexes of Directive 2000/53/EC (ELV). Regarding the REACH Regulations, TE's information on SVHC in articles for this part number is still based on the European Chemical Agency (ECHA) 'Guidance on requirements for substances in articles' (Version: 2, April 2011), applying the 0.1% weight on weight concentration threshold at the finished product level. TE is aware of the European Court of Justice ruling of September 10th, 2015 also known as O5A (Once An Article Always An Article) stating that, in case of 'complex object', the threshold for a SVHC must be applied to both the product as a whole and simultaneously to each of the articles forming part of its composition. TE has evaluated this ruling based on the new ECHA "Guidance on requirements for substances in articles" (June 2017, version 4.0) and will be updating its statements accordingly.

Compatible Parts



Applicators(4)



Portable Crimp Tools(4)



Rectangular Power Connectors(15)

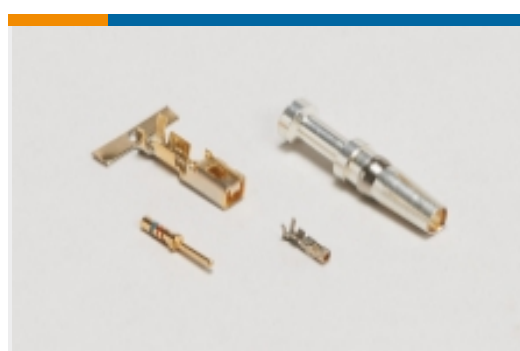


Spare & Wear Tooling(1)

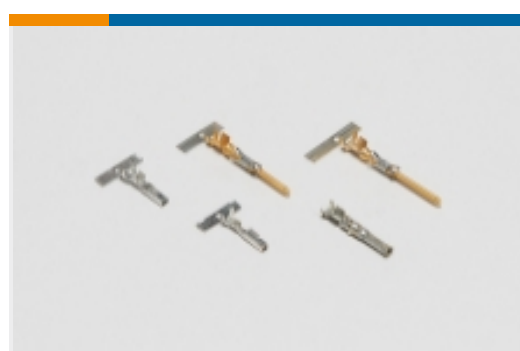
Also in the Series | Universal MATE-N-LOK



Circular Power Connectors (2)



Connector Contacts(11)



Power Contacts(208)



Rectangular Boots & Strain Relief(35)



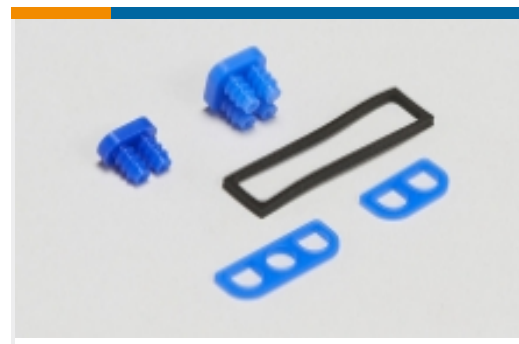
Rectangular Connector Adapters(7)



Rectangular Connector Housings(3)



Rectangular Connector Keying Plugs(3)



Rectangular Connector Seals(26)



Rectangular Power Connectors(717)



Wire-to-Board Headers & Receptacles(3)

Customers Also Bought



TE Part #770028-1
09P UMNLII IN-LINE CAP HSG KIT



TE Part #770030-1
15P UMNLII IN-LINE CAP HSG KIT



TE Part #770027-1
06P UMNLII IN-LINE CAP HSG KIT



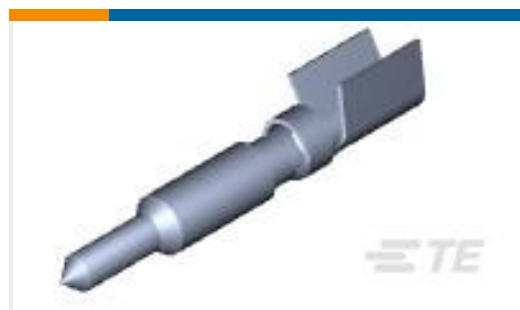
TE Part #770004-3
UMNL II SOK PTPPHBZ



TE Part #62613-2
RING .190 12-10 AWG 0245 TPCRS



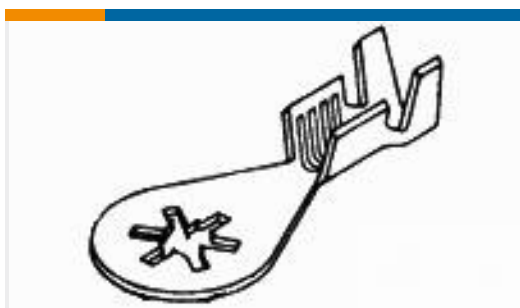
TE Part #770008-3
UMNL II SOK PTPPHBZ



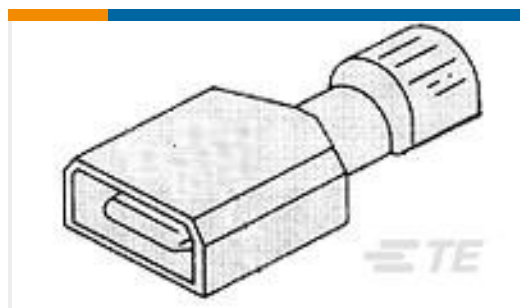
TE Part #770009-1
UMNL II PIN PTPBR



TE Part #62754-1
SPLICE 14000-30000 .030 BR



TE Part #61795-1
RING 18-14 AWG TPST



TE Part #3-520106-2
ULTRA-FAST 250 ASY TAB 16-14 AWG TPBR

Documents



Product Drawings

[UMNL II PIN PTPBR](#)

English

CAD Files

[3D PDF](#)

3D

Customer View Model

[ENG_CVM_CVM_770007-1_T.2d_dxf.zip](#)

English

Customer View Model

[ENG_CVM_CVM_770007-1_T.3d_igs.zip](#)

English

Customer View Model

[ENG_CVM_CVM_770007-1_T.3d_stp.zip](#)

English

Datasheets & Catalog Pages

[SOFT_SHELL_PIN_SOCKET_CONNECTORS_STANDARD_DENSITY](#)

English

Product Specifications

[Application Specification](#)

English

Product Environmental Compliance

[TE Material Declaration](#)

English