

Circuit Breaker for Equipment thermal, Threaded neck type, Reset type, Quick connect terminals



### Description

- Threaded neck type 6 mm
- Thermal circuit breaker
- 1-pole
- Reset type
- Positively trip-free release
- Quick connect terminals 6.3 x 0.8 mm

### Standards

- IEC 60934
- UL 1077
- CSA C22.2 235
- GB 17701

### Applications

- Power tools
- Household Equipment
- Power supplies and chargers
- Industrial appliances

### Weblinks

[pdf-datasheet](#), [html-datasheet](#), [General Product Information](#), [Approvals](#), [CE declaration of conformity](#), [RoHS](#), [CHINA-RoHS](#), [REACH](#), [e-Shop](#), [SCHURTER-Stock-Check](#), [Distributor-Stock-Check](#), [Detailed request for product](#), [Product News](#)

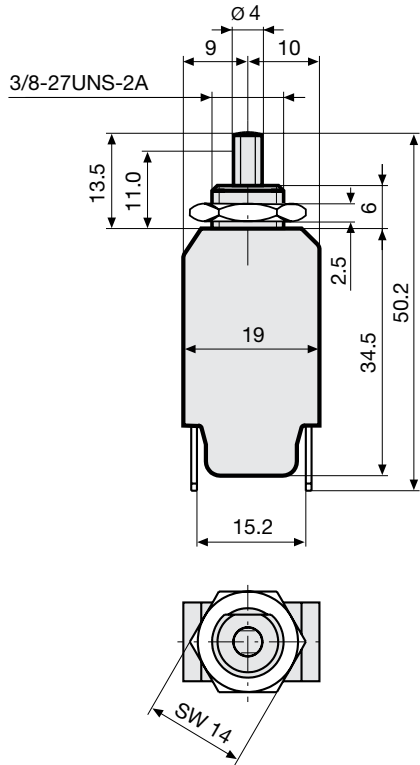
### Technical Data

|                                    |  |
|------------------------------------|--|
| Rated Voltage AC                   | 240 V; 50/60 Hz  |
| Rated Voltage DC                   | 48 V   |
| Rated current range AC             | 0.05 - 16 A  |
| Conditional short circuit capacity | IEC: Inc, PC1, AC 240V: 2kA  |
| Short circuit capacity Icn         | at I <sub>n</sub> < 6.5 A/240 VAC : 8 x I <sub>n</sub><br>at I <sub>n</sub> ≥ 6.5 A/240 VAC : 96 A                       |
| Degree of Protection               | from front side IP 40 acc. to IEC 60529  |
| Dielectric Strength                | 50Hz: > 1.5 kV<br>Impulse 1.2/50 μs: > 2.5 kV  |
| Insulation resistance              | 500VDC > 100 MΩ  |
| Endurance typical                  | 2 x I <sub>r</sub> : 500 switching cycles  |
| Endurance minimum                  | Reset type<br>AC : 2 x I <sub>r</sub> , cos φ 0.6 :<br>DC : 2 x I <sub>r</sub> , L/R = 2 - 3 ms :<br>50 switching cycles |

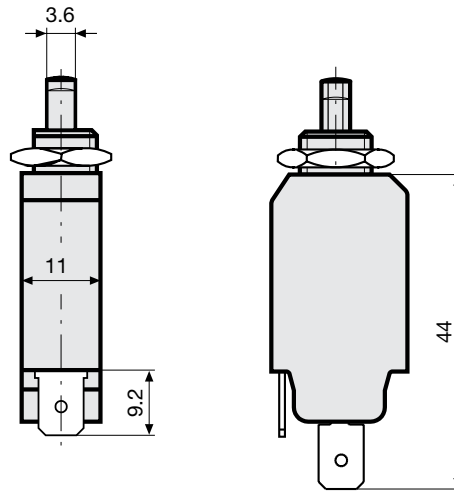
|                      |  |
|----------------------|--|
| Overload             | IEC: min. 40 trips<br>@ 6 x I <sub>r</sub> , cos φ 0.6<br>UL / CSA: min. 50 trips<br>@ 1.5 x I <sub>r</sub> , cos φ 0.75 |
| Ambient temperature  | -5 °C to 60 °C   |
| Vibration Resistance | ± 1.5 mm @ 10 - 60 Hz<br>acc. to IEC 60068-2-6, test Fc<br>5 G @ 60 - 500 Hz<br>acc. to IEC 60068-2-6, test Fc           |
| Shock Resistance     | 100 G / 6ms<br>acc. to IEC 60068-2-27, test Ea   |
| Tripping Type        | Thermal  |
| Actuation type       | Reset type   |
| Weight               | ca. 10g  |

## Dimension

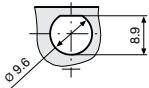
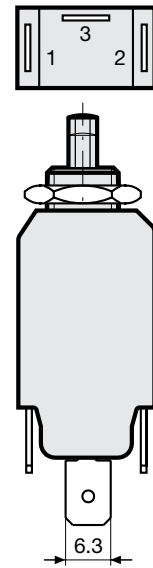
T11-211  $\leq 7,5A$



T11-211 <7,5A

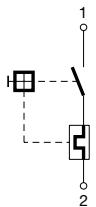


T11-211N

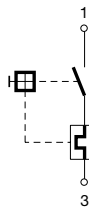


## Diagrams

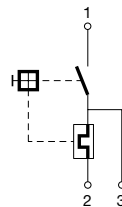
Rated current  $\leq 7,5 A$



Rated current  $>7,5 A$



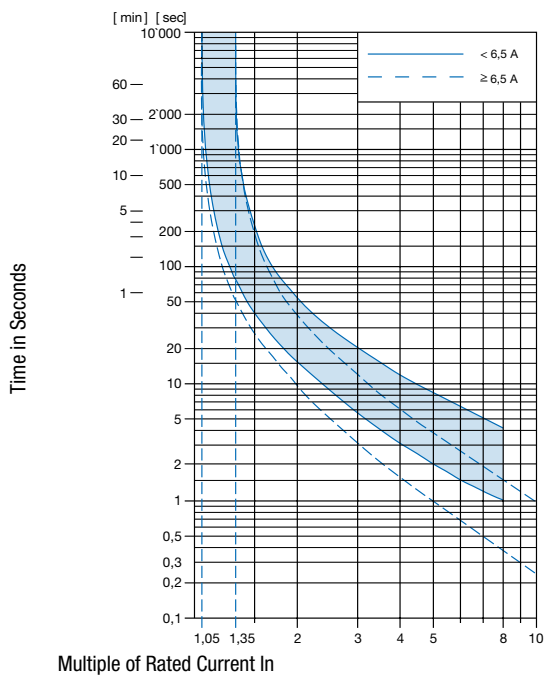
Shunt terminal T11-...N  $\leq 6,5 A$



Typical internal resistance

| Rated Current [A] | Internal Resistance [ $\Omega$ ] |
|-------------------|----------------------------------|
| 0.05              | 380.000                          |
| 0.50              | 5.200                            |
| 1.00              | 1.350                            |
| 2.00              | 0.300                            |
| 3.00              | 0.130                            |
| 4.00              | 0.080                            |
| 5.00              | 0.040                            |
| 6.00              | 0.040                            |
| 7.00              | 0.020                            |
| 8.00              | 0.012                            |
| 9.00              | 0.012                            |
| 10.00             | 0.011                            |
| 11.00             | 0.0095                           |
| 12.00             | 0.0095                           |
| 13.00             | 0.0085                           |
| 14.00             | 0.0085                           |
| 15.00             | 0.0075                           |
| 16.00             | 0.0075                           |

Time-Current-Curves



Reference Temperature  $+23^\circ$

## Effect of ambient temperature

The units are calibrated for an ambient temperature of +23°C. To determine the rated current for a lower or higher ambient temperature, use a correction factor (typical value) from the table below:

| Ambient temperature [°C] | Correction factor |
|--------------------------|-------------------|
| -5                       | 0.87              |
| 0                        | 0.90              |
| +10                      | 0.95              |
| +23                      | 1.00              |
| +30                      | 1.04              |
| +40                      | 1.10              |
| +50                      | 1.15              |
| +60                      | 1.20              |

Example: Rated current = 5 A; Environmental temperature = 40 °C; --> Correction factor = 1.1; Resulting current = 5.5 A --> Fount to next higher rated current: 6 A

## Config. Code

T11 - 1 2 3 A B - 1.23

The characters are placeholders for the correspondingly keys of selections from the key tables.

### T11 - 1 2 3 A B - 1.23 = Mounting

| Mounting                | Configuration key |
|-------------------------|-------------------|
| Threaded neck type 6 mm | 2                 |

### T11 - 1 2 3 A B - 1.23 = Actuation type

| Actuation type | Configuration key |
|----------------|-------------------|
| Reset type     | 1                 |

### T11 - 1 2 3 A B - 1.23 = Terminal

| Terminal                         | Configuration key |
|----------------------------------|-------------------|
| Quick connect terminal 6.3x0.8mm | 1                 |

### T11 - 1 2 3 A B - 1.23 = Shunt terminal

| Shunt terminal | Configuration key |
|----------------|-------------------|
| Shunt terminal | N                 |

### T11 - 1 2 3 A B - 1.23 = Setting indication

| Setting indication | Configuration key |
|--------------------|-------------------|
| Setting indication | R                 |

### T11 - 1 2 3 A B - 1.23 = Rated current

| Rated current | Configuration key |
|---------------|-------------------|
| 0.05 A        | 0.05              |
| 0.1 A         | 0.1               |
| 0.15 A        | 0.15              |
| 0.2 A         | 0.2               |

Other rated currents on request

| Rated current | Configuration key |
|---------------|-------------------|
| 0.3 A         | 0.3               |
| 0.4 A         | 0.4               |
| 0.5 A         | 0.5               |
| 0.6 A         | 0.6               |
| 0.7 A         | 0.7               |
| 0.8 A         | 0.8               |
| 0.9 A         | 0.9               |
| 1.0           | 1                 |
| 1.1 A         | 1.1               |
| 1.2 A         | 1.2               |
| 1.3 A         | 1.3               |
| 1.4 A         | 1.4               |
| 1.5 A         | 1.5               |
| 1.6 A         | 1.6               |
| 1.7 A         | 1.7               |
| 1.8 A         | 1.8               |
| 1.9 A         | 1.9               |
| 2.0 A         | 2                 |
| 2.1 A         | 2.1               |
| 2.3 A         | 2.3               |
| 2.5 A         | 2.5               |
| 2.8 A         | 2.8               |
| 3.0 A         | 3                 |
| 3.3 A         | 3.3               |
| 3.5 A         | 3.5               |
| 4.0 A         | 4                 |
| 4.5 A         | 4.5               |
| 5.0 A         | 5                 |
| 5.5 A         | 5.5               |
| 6.0           | 6                 |
| 6.5 A         | 6.5               |
| 7.0 A         | 7                 |
| 7.5 A         | 7.5               |
| 8.0 A         | 8                 |
| 8.5 A         | 8.5               |

Other rated currents on request

| Rated current | Configuration key | Rated current                   | Configuration key |
|---------------|-------------------|---------------------------------|-------------------|
| 9.0 A         | 9                 | 13.0 A                          | 13                |
| 9.5 A         | 9.5               | 14.0 A                          | 14                |
| 10.0 A        | 10                | 15.0 A                          | 15                |
| 11.0 A        | 11                | 16.0 A                          | 16                |
| 12.0 A        | 12                | Other rated currents on request |                   |

Other rated currents on request

### Variants

| Rated current | Construction variants |                    | Config. Code | Order Number |
|---------------|-----------------------|--------------------|--------------|--------------|
|               | Shunt terminal        | Setting indication |              |              |
| 1.0           |                       |                    | T11-211-1    | 4400.0008    |
| 3.0 A         |                       |                    | T11-211-3    | 4400.0010    |
| 0.8 A         |                       |                    | T11-211-0.8  | 4400.0042    |
| 12.0 A        |                       |                    | T11-211-12   | 4400.0052    |
| 1.5 A         |                       |                    | T11-211-1.5  | 4400.0056    |

Most Popular.

Availability for all products can be searched real-time: <http://www.schurter.com/en/Stock-Check/Stock-Check-SCHURTER>

**Packaging Unit** 1 Pcs

### Accessories

Description



T-Linie Zubehör  
Accessories to T-Line

# Mouser Electronics

Authorized Distributor

Click to View Pricing, Inventory, Delivery & Lifecycle Information:

## Schurter:

[4400.0011](#) [4400.0014](#) [4400.0015](#) [4400.0017](#) [4400.0035](#) [4400.0039](#) [4400.0042](#) [4400.0052](#) [4400.0059](#) [4400.0065](#)  
[4400.0067](#) [4400.0069](#) [4400.0073](#) [4400.0098](#) [4400.0102](#) [4400.0405](#) [4400.0454](#) [4400.0515](#) [4400.0526](#) [4400.0547](#)  
[4400.0569](#) [4400.0572](#) [4400.0579](#) [4400.0725](#) [4400.0751](#) [4400.0671](#) [4400.0009](#) [4400.0549](#) [4400.01](#) [4400.018](#)  
[4400.022](#) [4400.052](#) [4400.067](#) [4400.0100](#) [4400.0220](#) [4400.0180](#) [4400.0670](#) [4400.0520](#)