



Features

- Top third diffused lens package
- Low current requirements
- High light output
- Reliable and rugged
- IC. compatible

Recommended Maximum Ratings

Reverse voltage	5.0V
D.C. forward current	30mA
Pulse current (10% duty cycle 0.1ms pulse width)	100mA
Operating temperature range	-25°C to +85°C
Storage temperature range	-25°C to +100°C
Lead soldering temperature (1.6mm from body)	+260°C for 5 secs.

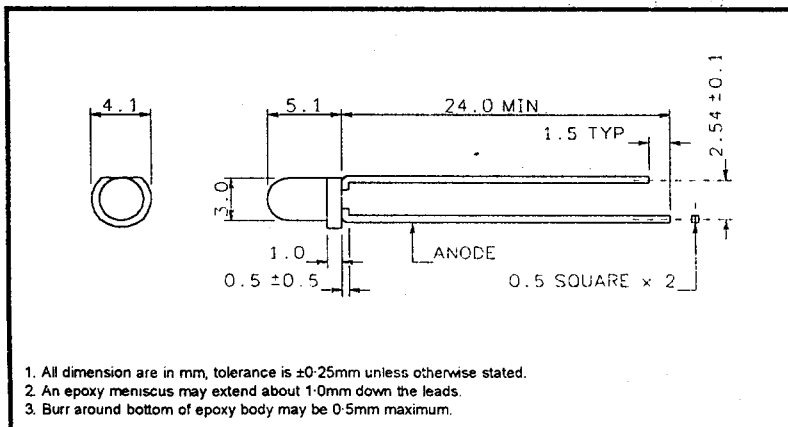
(Ta=25°C)

Electrical & Optical Characteristics

Part Number	L.E.D. Chip		Lens Colour	Peak Wavelength @20mA(nm)	Forward Voltage @20mA(V)		Luminous Intensity (mcd)		View Angle 2D 1/2 (deg)
	Material	Emitting Colour			TYP.	MAX.	@5mA	@20mA	
							MIN.	TYP.	
L 02 R 3000 G 1 EP4	GaP	Green	Green Diffused	567	2.1	3.0	14.8	52.8	35°
L 02 R 3000 G 2 EP4	GaP	Green	White Diffused	567	2.1	3.0	14.8	52.8	35°
L 03 R 3000 G 1 EP4	GaAsP on GaP	Yellow	Yellow Diffused	585	2.1	3.0	14.5	51.9	35°
L 03 R 3000 G 2 EP4	GaAsP on GaP	Yellow	White Diffused	585	2.1	3.0	14.5	51.9	35°
L 04 R 3000 G 1 EP4	GaAsP on GaP	Orange	Orange Diffused	635	2.1	3.0	13.0	46.3	35°
L 04 R 3000 G 2 EP4	GaAsP on GaP	Orange	White Diffused	635	2.1	3.0	13.0	46.3	35°
L 4R R 3000 G 1 EP4	GaAsP on GaP	Hi-Eff. Red	Red Diffused	635	2.1	3.0	13.0	46.3	35°
L 05 R 3000 G 1 EP4	GaP	Red	Red Diffused	700	2.1	3.0	3.0	10.7	35°
L 05 R 3000 G 2 EP4	GaP	Red	White Diffused	700	2.1	3.0	3.0	10.7	35°
L 07 R 3000 G 1 EP4	GaAlAs on GaAs	S'Bright Red	Red Diffused	660	1.7	2.2	115	460	35°
L 07 R 3000 G 2 EP4	GaAlAs on GaAs	S'Bright Red	White Diffused	660	1.7	2.2	115	460	35°
L UR R 3000 G 1 EP4	GaAlAs on GaAlAs	U'Bright Red	Red Diffused	660	1.9	2.5	229	915	35°
L UR R 3000 G 2 EP4	GaAlAs on GaAlAs	U'Bright Red	White Diffused	660	1.9	2.5	229	915	35°

(Ta=25°C)

Package Dimensions



Radiation Pattern

