

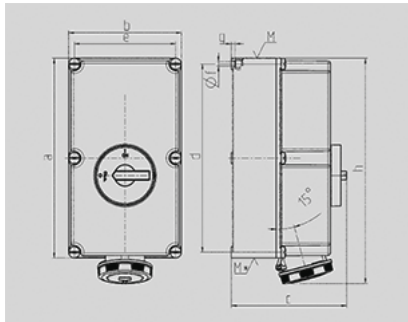
Wall mounted receptacle - Part no. 5691A



- screw terminals
- X-CONTACT
- switched
- mechanical DUO-interlock
- upon request with provision for an additional padlock

Technical information

Ampere	125 A
Poles	4 p
Voltage	400 V
Earth position	6 h
Hertz	50-60 Hz
Connection technology	Screw terminals, X-CONTACT
Contact	standard
Protection type	IP 67



Drawing 1 MB 177	Amp. Poles	125		
		3	4	5
Dim. in mm	a	460	460	460
	b	260	260	260
	c	270	270	270
	d	434	434	434
	e	234	234	234
	f	11	11	11
	g.	9	9	9
	h	519	519	519
	M	63	63	63
	M*	2x63	2x63	2x63
Max. cable diam. (mm)		44	44	44
Terminal for cond. cross section (mm ²) min.-max.		25 —70	25 —70	25 —70