

# 2mm LOW PROFILE TMM SERIES

## SPECIFICATIONS

For complete specifications see [www.samtec.com/TMM](http://www.samtec.com/TMM)

**Insulator Material:**  
Black Liquid Crystal Polymer



**Terminal Material:**  
Phosphor Bronze



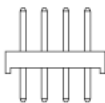
**Plating:**  
Sn or Au over 50µ" (1,27µm) Ni

**Operating Temp Range:**  
-55°C to +105°C with Tin;  
-55°C to +125°C with Gold  
**Voltage Rating:**  
500 VAC mated with SQW  
450 VAC mated with SQT  
**RoHS Compliant:**  
Yes

**Processing:**  
**Max Processing Temp:**  
230°C for 60 seconds, or  
260°C for 20 seconds 3x  
**Lead-Free Solderable:**  
Yes

**Mates with:**  
CLT, SQT, SQW, ESQT,  
TLE, SMM, MMS, TCSD

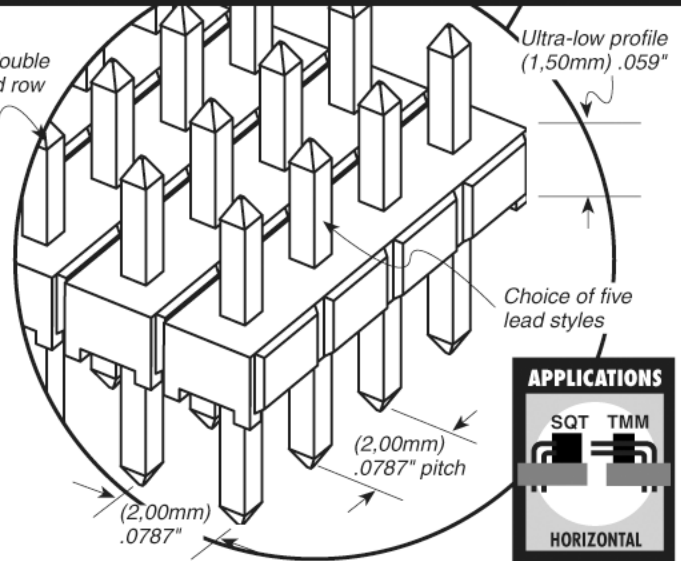
## ALSO AVAILABLE



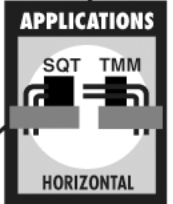
Paste In Hole (PIH) processing.  
Contact Samtec ASP Group.

AMBIENT TEMP	CURRENT RATING	
	Mated with	
20°C	5.5A	3.7A
40°C	5A	3.3A
60°C	4A	2.9A
80°C	3A	2.4A

Single, double and quad row



Choice of five lead styles



**Note:**  
Some lengths, styles and options are non-standard, non-returnable.

## Also Available

**Press Fit**  
See PTT Series.

**2mm Shunt**  
See 2SN Series.

**Surface Mount**  
See TMM Series.

**Elevated**  
See TW Series.

**High Density**  
See TMMH Series.

**Shrouded Four Row Vertical & Right Angle**  
See TMMS Series.

TMM	NO. PINS PER ROW	LEAD STYLE	PLATING OPTION	ROW OPTION	OTHER OPTION
	01 thru 50	Specify LEAD STYLE from chart below.	-L = 10µ" (0,25µm) Gold on contact area, Matte Tin on tail  -G = 20µ" (0,51µm) Gold on contact area Gold flash on tail  -T = Matte Tin  -S = 30µ" (0,76µm) Gold on contact area, Matte Tin on tail	-S = Single Row  -D = Double Row  -Q = Four Row	-RA & -RE = Right Angle (Lead Style -01 only)  -"XXX" = Polarized Position Specify position of omitted pin

LEAD STYLE	A	B	C
-01	(3,20) .126	(3,50) .138	(3,70) .146
-02	(8,20) .323	(3,70) .146	(3,00) .118
-03	(4,00) .158	(2,70) .106	
-04	(5,69) .224	(1,91) .075	(2,29) .090
-05	(5,43) .214	(1,65) .065	

OPTION	D
-RA	(1,27) .050
-RE	(3,56) .140

Due to technical progress, all designs, specifications and components are subject to change without notice.

[WWW.SAMTEC.COM](http://WWW.SAMTEC.COM)