

FEATURES

- Angles ball joints made from steel
- Various threads
- Made to DIN71802 with zinc passivated finish
- Induction hardened balls
- Security clips retain ball studs in sockets
- Static pull values
- Supplied with locknut

RS PRO Steel M5 Ball and Socket Joint, 28.5mm x 25mm

RS Stock No.: 689-394



RS Professionally Approved Products bring to you professional quality parts across all product categories. Our product range has been tested by engineers and provides a comparable quality to the leading brands without paying a premium price.

Product Description

RS PRO range of steel ball and socket joints are a type of end fitting accessory for gas springs which are also referred to as gas struts. Gas spring accessories like these RS PRO ball and socket joints end fittings are important for the service life of gas springs and gas struts and come in a range of sizes.

General Specifications

Accessory Type	Ball & Socket Joint
Rod Connection Thread	M5
Material	Steel
Finish	Zinc
Applications	Gas strut end fittings and gas spring accessories are important in the assembly of gas springs and gas struts.

Mechanical Specifications

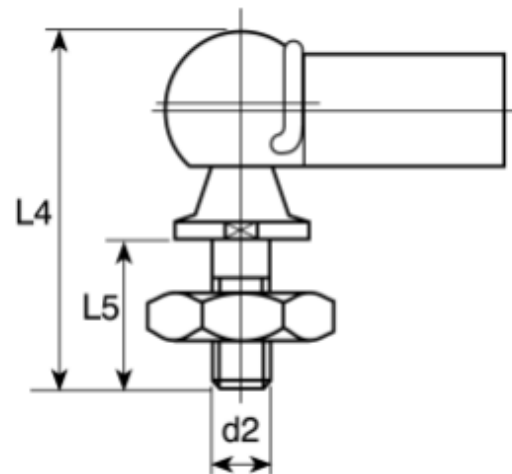
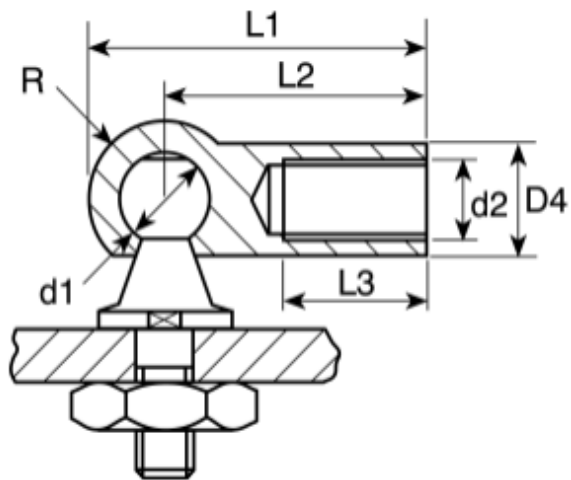
Overall Length	28.5mm
Overall Width	25mm
Ball Diameter	8mm

Approvals

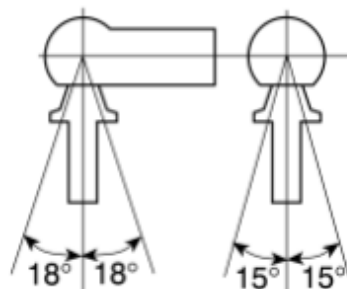
Compliance/Certifications	DIN, RoHS
----------------------------------	-----------



Dimensions:



Working angles



Dimensions (mm)											
Size mm	D1	D2	D4	L1	L2	L3	L4	L5	R	A/F	min.pull-off force in N
5	8	M5	8	28.5	22	10.5	25	10.2	10.2	6.4	30
6	10	M6	10	32.5	25	11.5	30	12.5	7.5	8	40
8	13	M8	13	39.5	30	14.0	38	16.5	9.7	11	60
10	16	M10	16	47.0	35	15.5	47.5	20.0	12.0	13	80