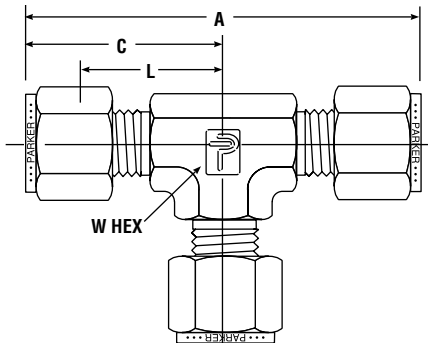
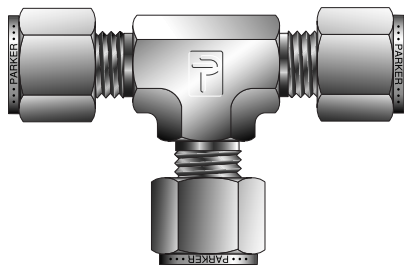


# Tube to Tube Unions

## ET Union Tee For fractional tube

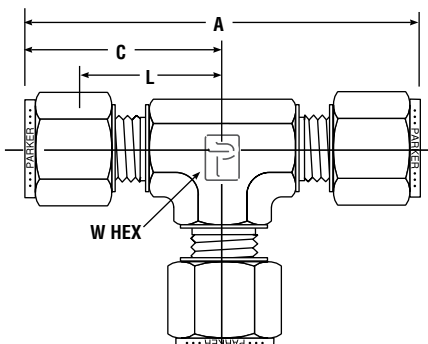
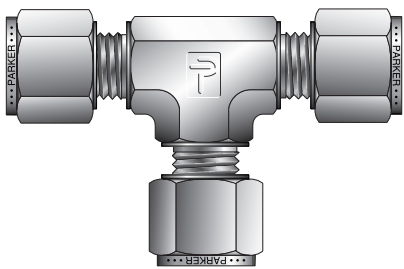


PARKER PART NO.	INTER- CHANGES WITH	INCHES				
		TUBE O.D.	A	C	L	W HEX
1ET1	100-3	1/16	1.42	.71	.56	3/8
2ET2	200-3	1/8	1.76	.88	.62	3/8
3ET3	300-3	3/16	2.00	1.00	.74	1/2
4ET4	400-3	1/4	2.12	1.06	.77	1/2
5ET5	500-3	5/16	2.34	1.17	.88	5/8
6ET6	600-3	3/8	2.40	1.20	.91	5/8
8ET8	810-3	1/2	2.84	1.42	1.02	13/16
10ET10	1010-3	5/8	2.86	1.43	1.03	7/8
12ET12	1210-3	3/4	3.12	1.56	1.16	1-1/16
14ET14	1410-3	7/8	3.52	1.76	1.36	1-3/8
16ET16	1610-3	1	3.88	1.94	1.45	1-3/8
20ET20	2010-3	1-1/4	5.22	2.61	1.75	1-5/8
24ET24	2410-3	1-1/2	6.12	3.06	2.00	1-7/8
32ET32	3210-3	2	8.44	4.22	2.75	2-13/16

NOTE: A and C dimensions are typical finger-tight.

Dimensions for reference only, subject to change.

## ETM Union Tee For metric tube



PARKER PART NO.	INTER- CHANGES WITH	MILLIMETERS				INCH
		TUBE O.D.	A	C	L	W HEX
ETM2	2MO-3	2	44,7	22,3	15,7	3/8
ETM3	3MO-3	3	44,7	22,3	15,7	3/8
ETM4	4MO-3	4	50,8	25,4	18,8	1/2
ETM6	6MO-3	6	53,9	27,0	19,6	1/2
ETM8	8MO-3	8	59,7	29,9	22,4	5/8
ETM10	10MO-3	10	63,0	31,5	23,9	11/16
ETM12	12MO-3	12	72,0	36,0	25,9	13/16
ETM14	14MO-3	14	77,6	38,8	28,7	1
ETM15	15MO-3	15	77,6	38,8	28,7	1
ETM16	16MO-3	16	77,6	38,8	28,7	1
ETM18	18MO-3	18	79,5	38,8	29,7	1-1/16
ETM20	20MO-3	20	89,3	44,6	34,5	1-3/8
ETM22	22MO-3	22	89,3	44,6	34,5	1-3/8
ETM25	25MO-3	25	98,3	49,1	36,8	1-3/8

NOTE: A and C dimensions are typical finger-tight.

Dimensions for reference only, subject to change.