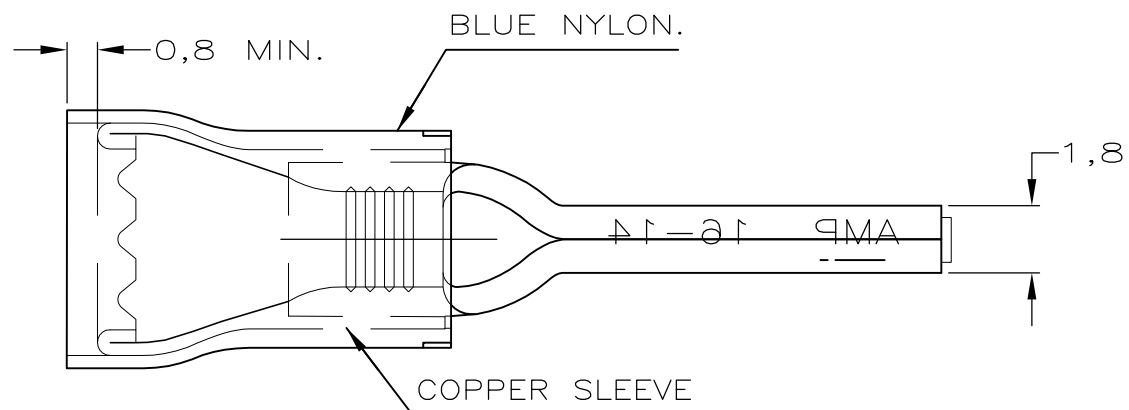
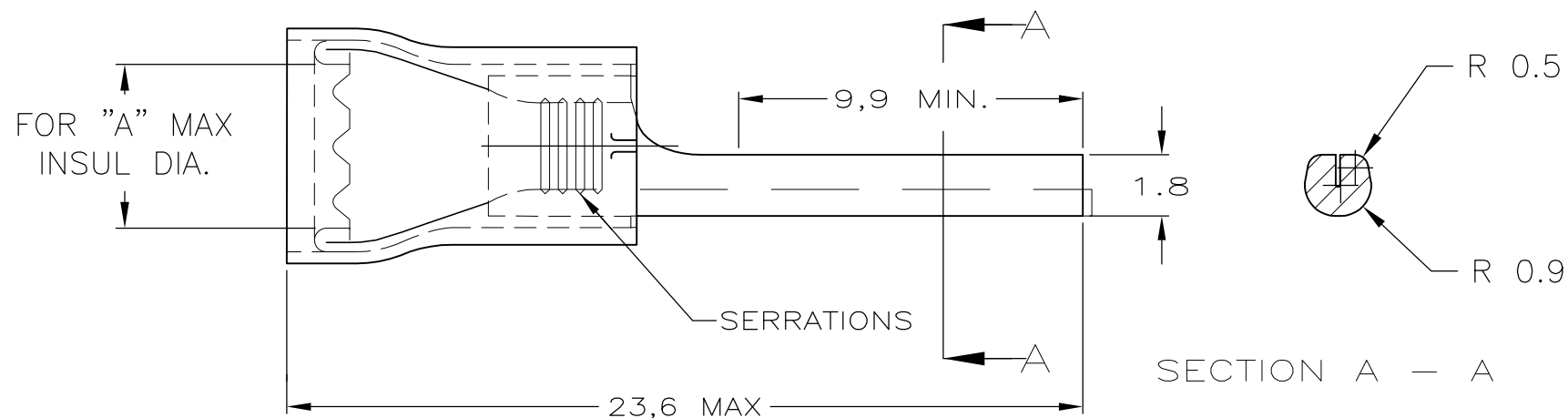


THIS DRAWING IS UNPUBLISHED. RELEASED FOR PUBLICATION
 © COPYRIGHT - BY TYCO ELECTRONICS CORPORATION. ALL RIGHTS RESERVED.

LOC	DIST	REVISIONS					
G	86	P	LTR	DESCRIPTION	DATE	DWN	APVD
			K	REV PER ECR 07-023647	12OCT07	JR	TM



WIRE RANGE:
 1.0-2.6mm²
 (16-14 AWG)
 INSULATION RANGE:
 "A" MAX



SUPERSEDED BY
 165172-2

100	4.3	TIN PLATED	COPPER	8-165172-1
1000	4.8	TIN PLATED	COPPER	165172-2
1000	4.6	TIN PLATED	COPPER	165172-1
1000	4.3	TIN PLATED	COPPER	165172-0
PACKAGE QTY	DIM "A"	FINISH	MATERIAL	PART NO

THIS DRAWING IS A CONTROLLED DOCUMENT.		DWN JR RUTH 19FEB04	Tyco Electronics Corporation Harrisburg, Pa 17105-3608		
DIMENSIONS: mm		CHK T MICHIELUTTI 19FEB04	NAME PIDG WIRE PIN (LONG)		
TOLERANCES UNLESS OTHERWISE SPECIFIED:		APVD T MICHIELUTTI 19FEB04	PRODUCT SPEC -		
0 PLC ± -		APPLICATION SPEC	-		
1 PLC ± -		WEIGHT	-		
2 PLC ± -		SIZE A3		CAGE CODE 00779	DRAWING NO C-165172
3 PLC ± -		CUSTOMER DRAWING		RESTRICTED TO	-
4 PLC ± -		SCALE 5:1		SHEET 1 OF 1	REV K
ANGLES ± -					
MATERIAL -					
FINISH -					