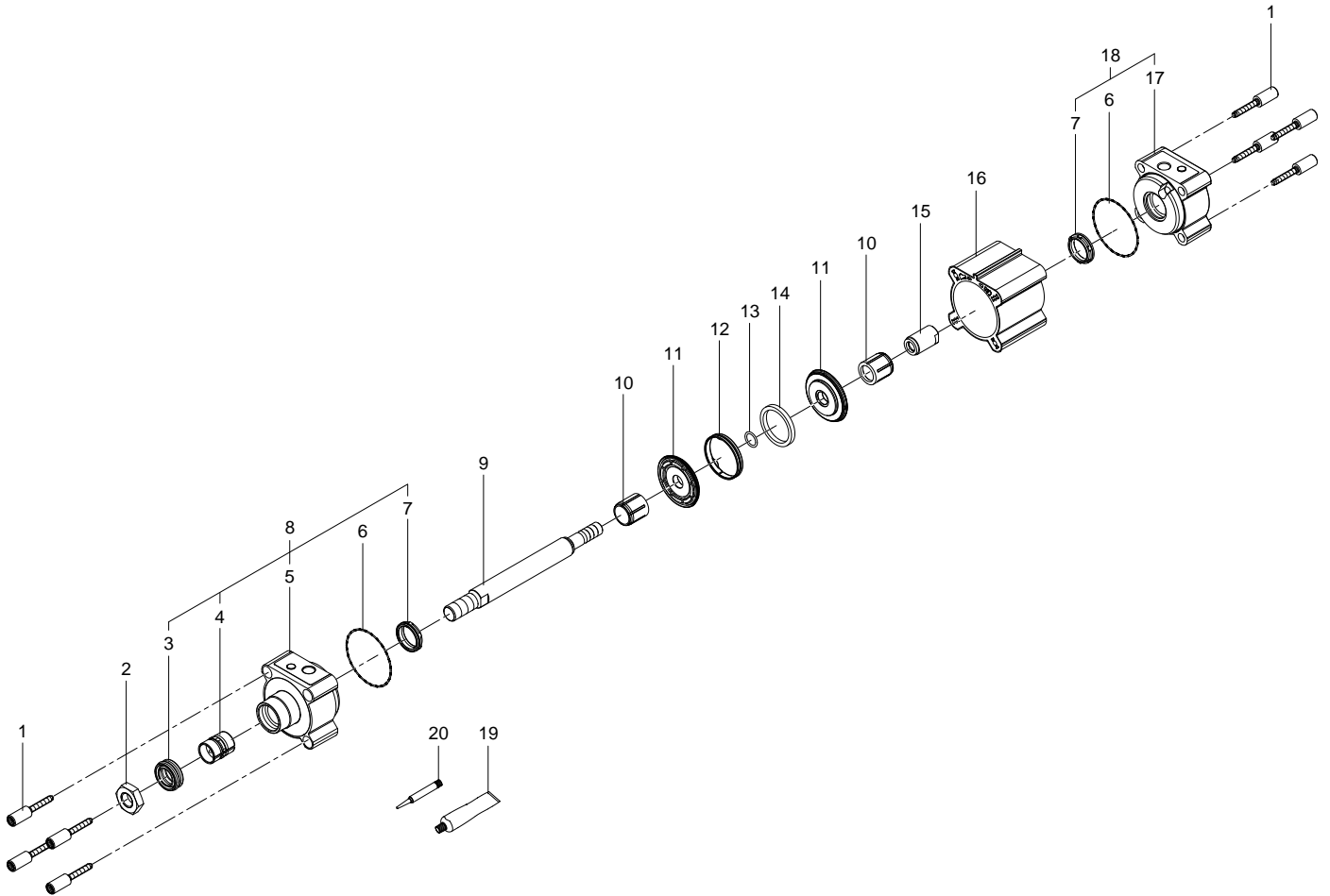


1782828 DSBF-C-100-125-PPSA-N3-R standards-based cylinder - Series: All



## 1782828 DSBF-C-100-125-PPSA-N3-R standards-based cylinder - Series: All

Pos.	Part no.	Type	Note	Qty.	Unit
A	752725	DSBF-C-100- - Set of wearing parts	Spare parts: 3, 6, 7, 11, 12, 13, 19, 20 <a href="#">Replacing the wearing parts</a>	1	PC
1	371670	DNC-80/100-R3- flange screw	Tightening torque 25 Nm / 18.4 lbf ft Use locking compound. See position 20	8	PC
2	225323	DIN 439-B-M20X1,5-A2-70 Hex nut		1	PC
3	645267	WIFC2-25X35X11,2-TPE-U:Q Wiper seal	Grease using during assembly. See position 19	1	PC
4	5211165	DSBX-80/100 Bearing	Grease using during assembly. See position 19	1	PC
5		DSBF-100-PPV:CO Bearing cap	Not available separately, see position 8	1	PC
6		B-100X1,5-N-NBR70 O-ring ISO3601	Not available separately, see position A Grease using during assembly. See position 19	2	PC
7		DIFC1-30X40X7,8-TPE-U Buffer seal	Not available separately, see position 8+18+999 Grease using during assembly. See position 19	2	PC
8	1221111	DSBF-100-P/PPS Bearing cap module		1	PC
9	752718	DSBF-C-100- - Piston rod	When ordering please specify the configuration (see type plate)	1	PC
10	1332074	100-PPS Buffer sleeve		2	PC
11		BA-K01D-100-02 Piston module	Not available separately, see position A	2	PC
12		BA-K01F-100 Guiding band	Not available separately, see position A	1	PC
13		B-14X1,5-N-NBR75 O-ring ISO3601	Not available separately, see position A Grease using during assembly. See position 19	1	PC
14	4760183	96,8X85,3X4,9BA-K01M-100 Ring magnet		1	PC
15	711418	M14-D80/100 Threaded coupling	Tightening torque 60 Nm / 44.3 lbf ft Use locking compound. See position 20	1	PC
16		DSBF-100-X Cylinder barrel	Not available Grease using during assembly. See position 19	1	PC
17		DSBF-100-PPV:CO End cap	Not available separately, see position 18	1	PC
18	1218626	DSBF-100-P/PPS End cap module		1	PC
19	394819	LUB-E1-SILIKONFREI-20ML Lubricating grease		1	PC
20	8181256	CYBERBOND TM44 TB1ML Adhesive bonding agent		1	PC