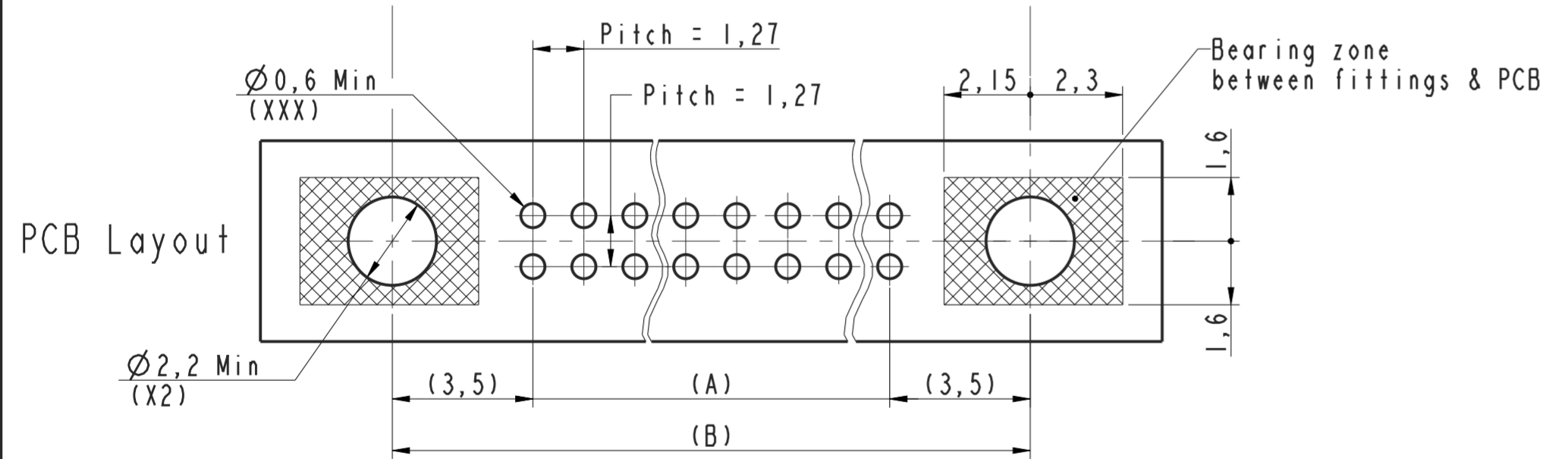
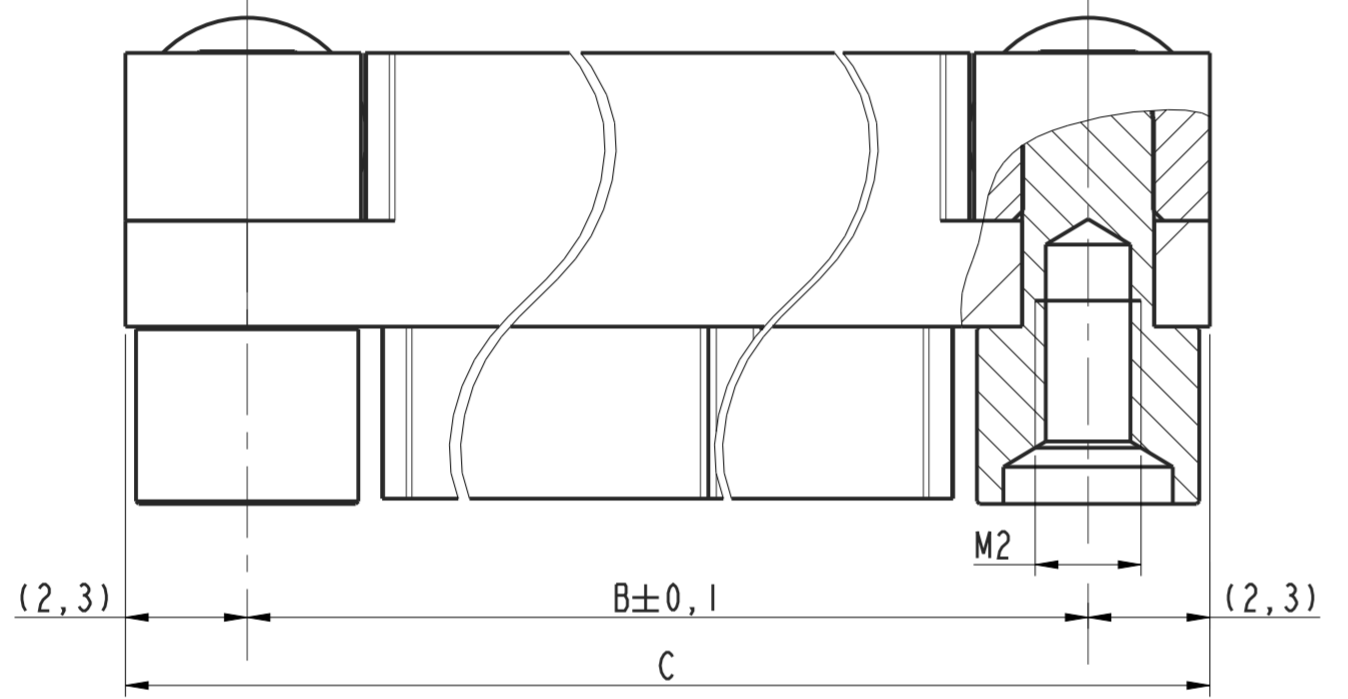
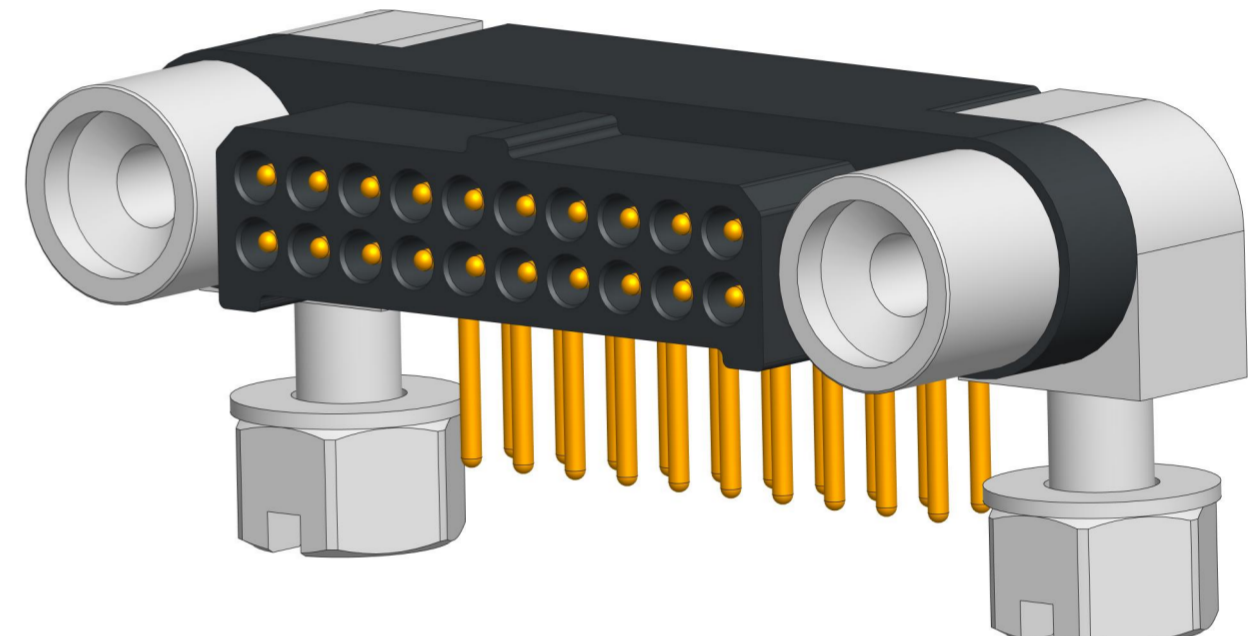
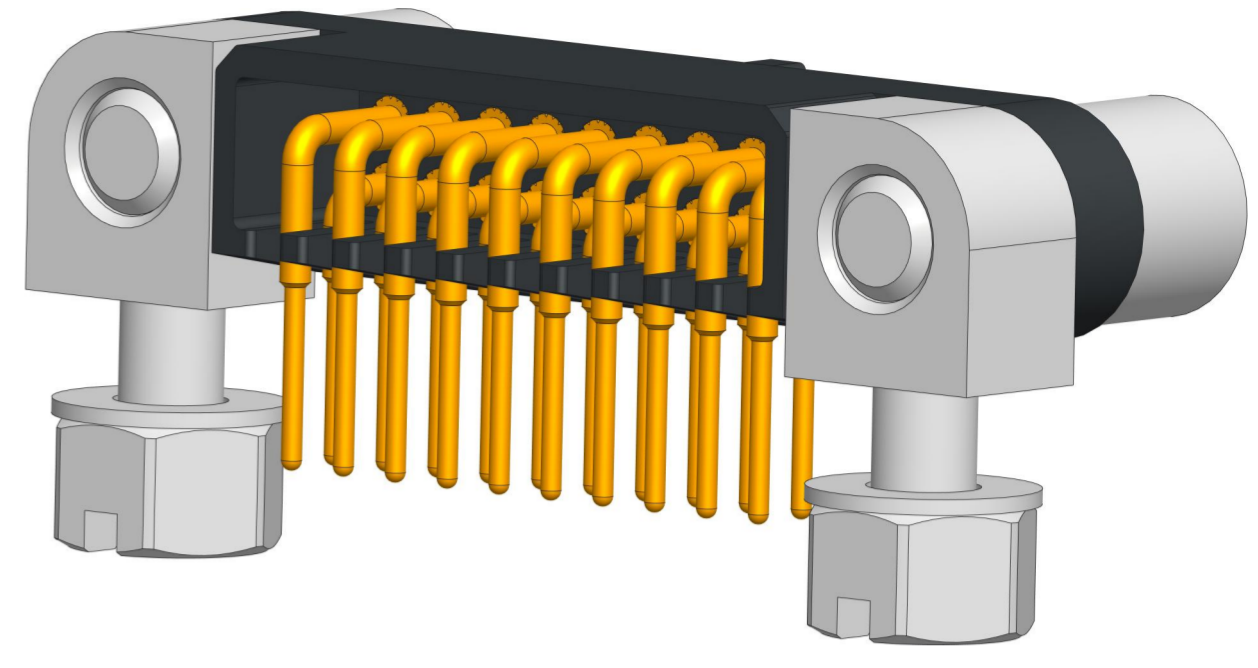
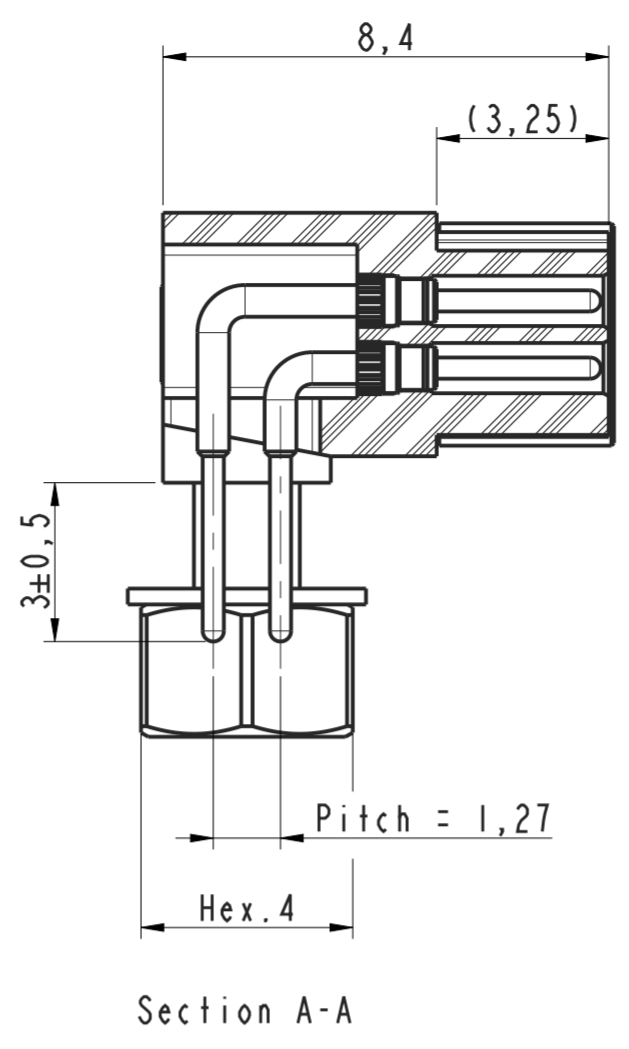
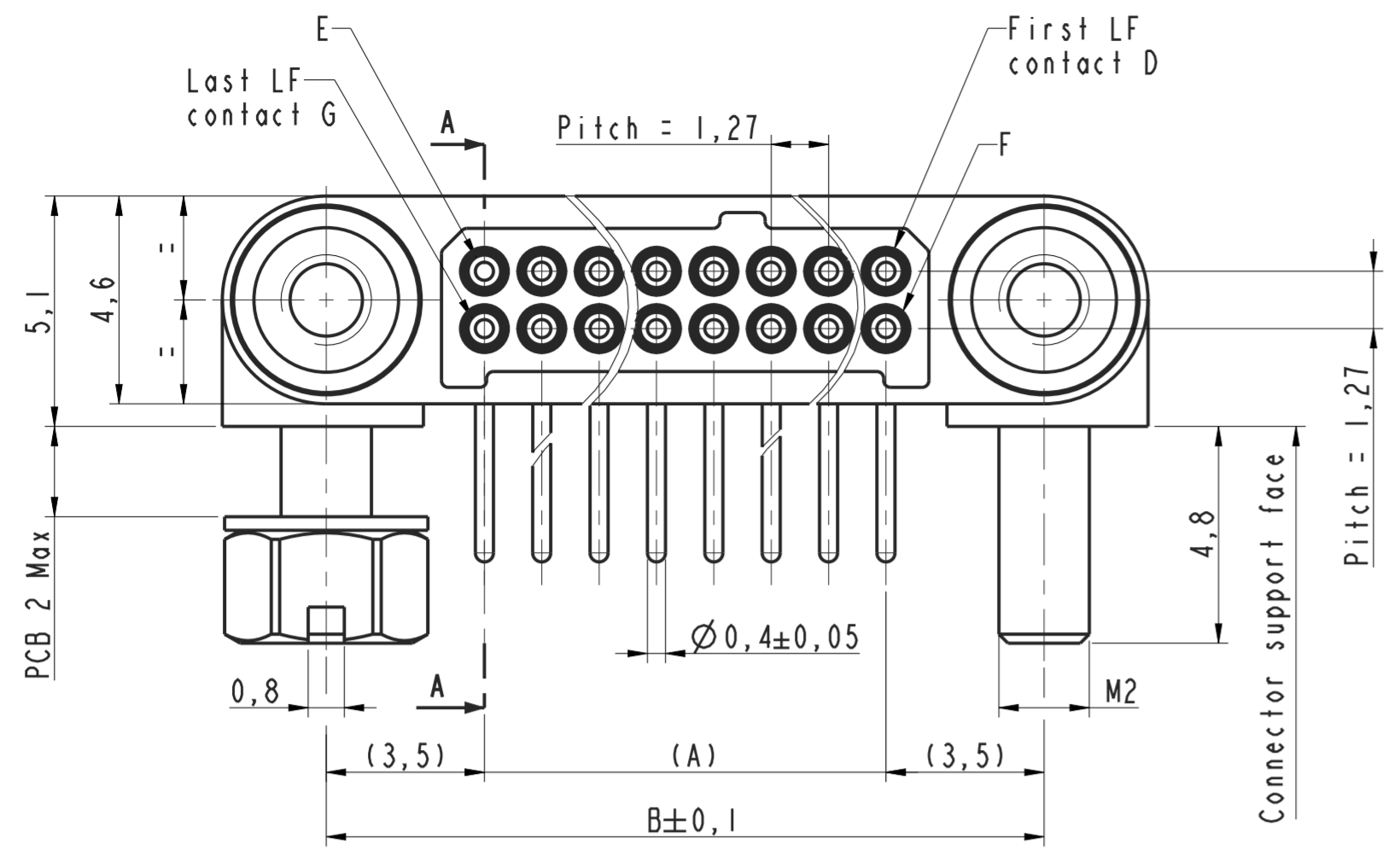


DANS LE BUT CONSTANT D'AMELIORER SES PRODUITS, Amphenol Socapex SE RESERVE LE DROIT D'EN MODIFIER TOUTE COTE OU CARACTERISTIQUE.
IMP 037 A



- Notes:
- "XXX" to be replaced by the number of LF contacts.
 - MHDAS is fully intermateable and intermountable with EMM connector (EMM is a NICOMATIC trademark)
 - Connector delivered with fittings not assembled, coupling torque: 0,3 Nm
 - General tolerance $\pm 0,2$
 - Fittings material : Passivated stainless steel
 - Contacts material : Copper alloy
 - Insulator material : LCP (Liquid Crystal Polymer) UL94-V0

LF Contacts number	Distance in mm between axes			Length in mm	LF Contacts reference mark number			
	A	B	C		D	E	F	G
004	1,27	8,27	12,87		1	2	3	4
008	3,81	10,81	15,41		1	4	5	8
016	8,89	15,89	20,49		1	8	9	16
020	11,43	18,43	23,03		1	10	11	20
026	15,24	22,24	26,84		1	13	14	26
030	17,78	24,78	29,38		1	15	16	30
040	24,13	31,13	35,73		1	20	21	40
050	30,48	37,48	42,08		1	25	26	50
060	36,83	43,83	48,43		1	30	31	60

MICRO HDAS
 Male connector
MHDAS 2 M XXX YC E51

MODIFICATIONS	A	Plan original	ECHELLE	Amphenol Socapex	DESSIN: S Satpute LE:15/10/19
			7	BP 29 - 74311 THYEZ CEDEX	TECHNIQUE: T Dabbabi LE:15/10/19
					A