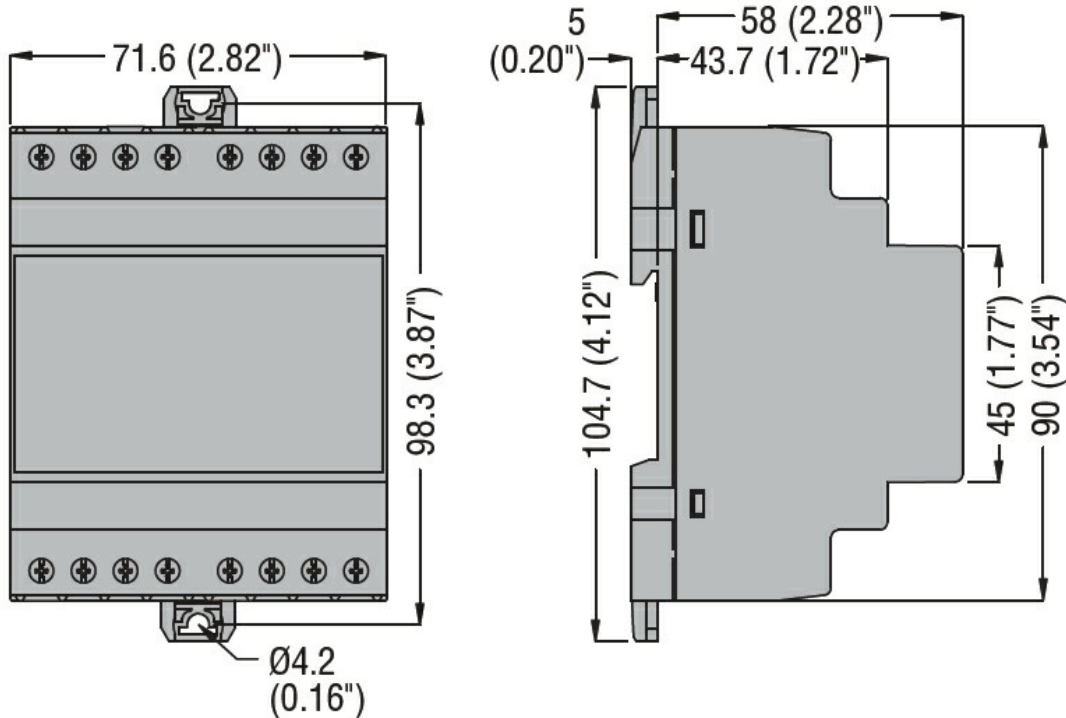




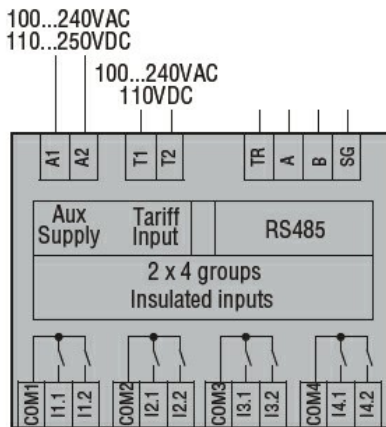
Auxiliary supply Us			
Auxiliary rated supply voltage DC	VDC	110...250	
Auxiliary operating voltage range			
AC	min	VAC	85
	Max	VAC	264
DC	min	VDC	93.5
	Max	VDC	300
Operational frequency	min	Hz	50
	max	Hz	60
Power consumption	Max	VA	8.8
Power dissipation Max		W	3.6
Accuracy			
	Active energy	Class 1 (IEC/EN 62053-21)	
RS485 serial interface			
Baud rate	bps	Programmable 1200...38400	
Insulations			
Rated insulation voltage Ui IEC/EN	V	250	
Rated impulse withstand voltage Uimp	kV	6.5	
Operating frequency withstand voltage	kV	3.6	
Mechanical features			
Housing type	Polyamide		
Terminals type	Fixed		
Conductor cross section	min	mm ²	0.2
	Max	mm ²	4
	min	AWG	24
	Max	AWG	12
Tightening torque (Max)	Nm	0.8	
	lbin	7	
Fixing	Din rail		
Weight	g	337	
Ambient conditions			
Temperature	Operating temperature		
	min	°C	-20
	max	°C	+60
	Storage temperature		
	min	°C	-30

	max	°C	+80
Relative humidity		%	<90
Maximum Pollution degree			2

Dimensions



Wiring diagrams



Certifications and compliance

Compliance

IEC/EN 61000-6-2
IEC/EN 61000-6-3
IEC/EN 61010-1

Certificates

cULus
EAC

ETIM classification

ETIM 8.0

EC002300 -
Impulse meter
for installation