



Datasheet

ENGLISH

Marine Panel

Switch & Breaker with Mounting Panel

RS Stock No. 1748329,1748315



Package Contain:

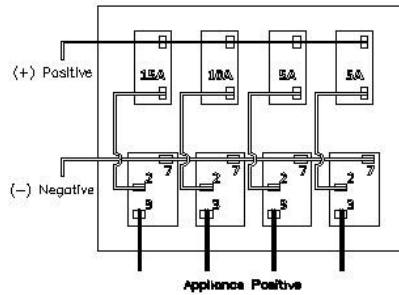
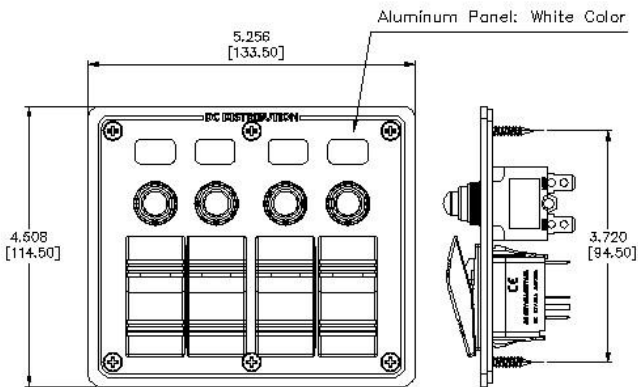
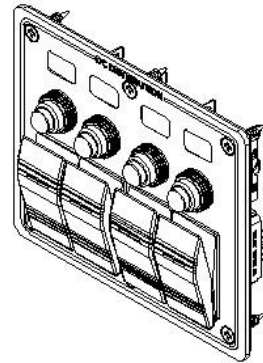
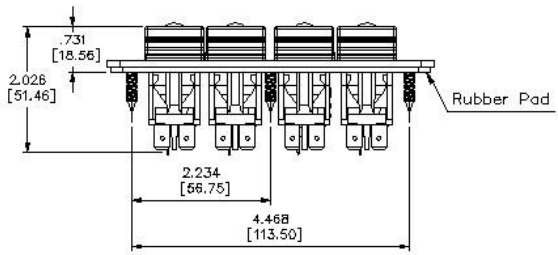
- 4 x Rocker Switch
- 2 x 5A Breaker
- 1 x 10A Breaker
- 1 x 15A Breaker
- 1 x Rubber Pad
- 6 x Stainless Steel Screw
- 40 x Indicator

Specification:

SWITCH TYPE:		1748329,1748315
POLES/THROWS:		SPST
SWITCH FUNCTIONS:		ON-OFF
ELECTRICAL CHARACTERISTICS	VOLTAGE:	12VDC
	TOTAL LOAD CURRENT:	35A
	ELECTRICAL LIFE:	10,000 make-and-break cycles at full load
	CONTACT RESISTANCE:	20m-ohms max. initial @ 2-4VDC, 100mA
	INSULATION RESISTANCE:	Apply 500VDC for 1min±5sec. After which measurement to be made b/w terminals shall result 100M-ohms min.
	DIELECTRICAL STRENGTH:	1,500VAC (50Hz-60Hz) RMS @ sea level shall result no damage to parts arcing or flashover
RELIABILITY PERFORMANCE	OPERATING TEMPERATURE:	-30Celsius degree to +85Celsius degree
	MECHANICAL LIFE:	Without load, 10,000cycles min.
	SOLDERING HEAT RESISTANCE:	Max soldering temperature @ 260Celsius degree, immersion time 5+/-1sec, frequency of soldering process @ 2 times max.
	COLD TEST:	Stored at temperature -30(+/-3)Celsius degree for 48 hours, shall result no changes to switch's electrical performance
	HOT TEST:	Stored at temperature +85(+/-3)Celsius degree for 48 hours, shall result no changes to switch's electrical performance
	HUMIDITY TEST:	Stored at temperature 40(+/-3)Celsius degree with relative humidity 90%~95% for 48 hours, shall result no changes to switch's electrical performance

	SALT SPRAY TEST:	Stored at temperature @ 35(+/-3)Celsius degree, and salt solution concentration of 5% with full air temperature @ 47(+/-3) Celsius degree and air pressure 1.0kg for 48 hours. The switch shall result no corrosion as well as no apparent changes to its functional performance. Per ASTM-B117 & JIS-Z371 STD.
--	-------------------------	---

SOLDERING & CLEANING RECOMMENDATION	HAND SOLDERING:	Max. temperature @ 350 Celsius degree (662F)with continuous soldering time @ 3sec. max.
	CLEANING PROCESS:	Noted, the switch is "not totally sealed" so it is important not to immerse/spray or clean unsealed areas of the switch during flux removal. Improper cleaning could cause switch deficiencies such as intermittence or open contact failures
PACKAGE	INTERNAL PACKAGING:	Tray
	RoHS IDENTIFICATIONS:	Package is attached with a label marking "RoHS"
PRODUCT HANDLING & STORING	<p>The switch is suitable for power rated applications, rating recommendation is per aforementioned above (Contact rating section)</p> <p>Problem relates to terminal oxidization can be prevented by storing product in an environment that is dry and cool with the relative humidity less than 90%. Noted, prior to mounting products onto circuit board as well as for unused units, it is recommended to keep them in the bag and with the bag sealed.</p>	



ADDITION	REMOVE	ANCHOR LIGHT	AUTO PILOT	BATT PUMP
BLOW PUMP_1	BLOW PUMP_2	BLADES	CABIN LIGHTS	DO ORUPLY
ROCK LIGHTS	WATER SOUNDER	ELECTRIFICATION	FUR LIGHTS	FRESH WATER
GPS	IRAN	INTER-DECK	INTERDECK	WAG. LIGHTS
WATERMILL LIGHT	REAR	RADIO	REFRIG. CONTROL	WINDMILL LIGHTS
WINDMILL LIGHT	SPACE	WINDMILL	WINDMILL LIGHTS	WINDMILL LIGHT
WINDMILL	WINDMILL LIGHTS	WINDMILL	WINDMILL LIGHTS	WINDMILL
WINDMILL	WINDMILL	WINDMILL	WINDMILL	WINDMILL

Indicator Stickers

- Rocker Switchx4 [SPST/DN-OFF]
- 5A Breakers x2
- 10A Breakers x1
- 15A Breakers x1
- Rubber Pad x1
- Stainless Steel Screw x6
- Indicator x40
- Size of Panel: 114.5 x 133.5mm
- Size of Screw Hole: 94.5 x 113.5mm
- Size of Drill: 85 x 102 mm