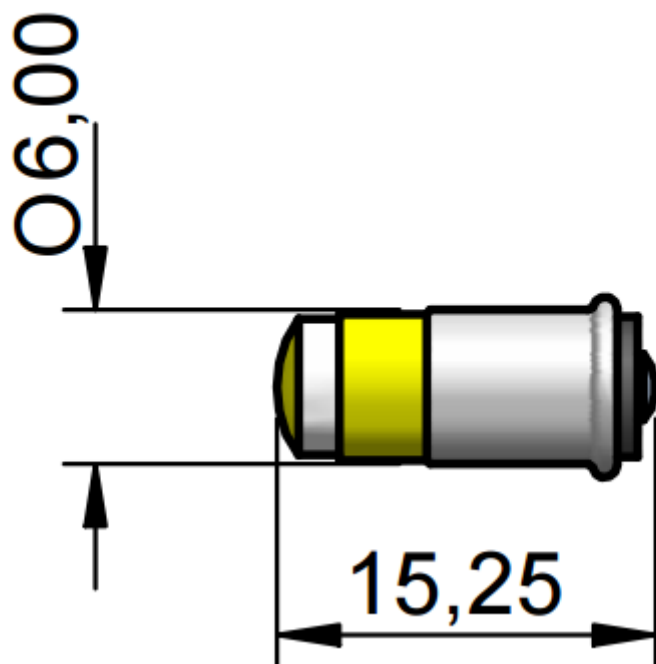


# Datasheet

## LED Indicator Lamp

RS ITEM NO 206-586



LED/Multiled	Multiled	Optimum voltage (V)	28Vdc	Intensity	45mcd
Mounting Size	T1 ¼	Rectifier			
Mounting Finish		AC current			
Protection		DC current	14mA		
Mount Holder	T1 ¼ Midget Flange	Voltage Tolerance(%)	10%		
Chip Qty	6	Optimum temperature (°C)	-30°C...+60°C		
Indicator colour	Yellow	Storage temperature (°C)	-30°C...+60°C		
Wavelength (nm)	585	Contact Tab x 2	Midget Flange Cap		



Dimension in mm (typical), not to scale.  
We reserve the right to make changes without further notice to this product to improve reliability, function or design.