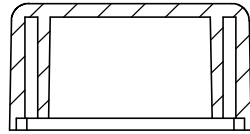


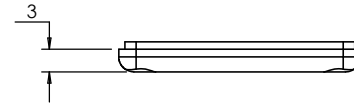
OVERALL ASSEMBLY DIMENSIONS:

EXTERNAL - 46 x 32 x 19.75

INTERNAL - 42.5 x 28.5 x 15.75



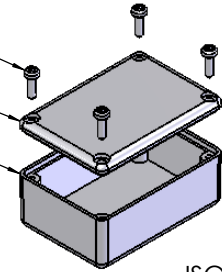
SECTION B-B



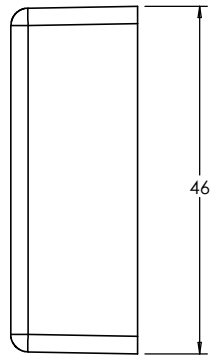
SELF TAPPING SCREW

LID

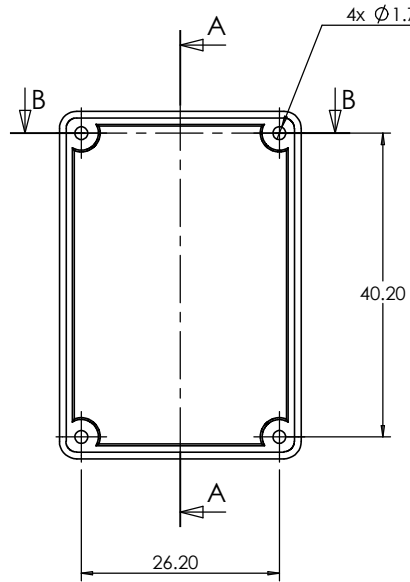
BASE



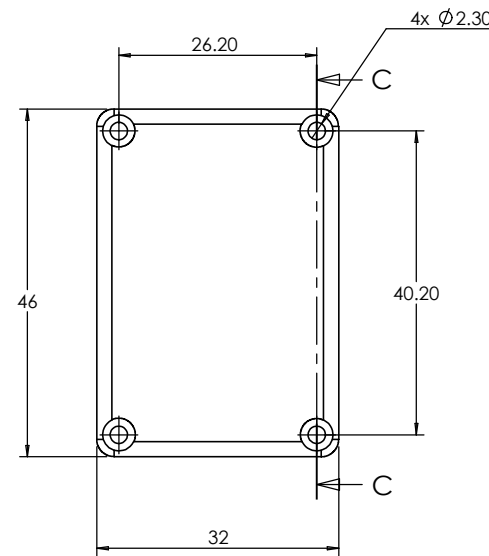
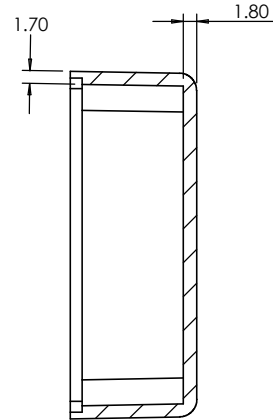
ISO VIEW  
1:2



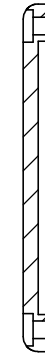
BASE



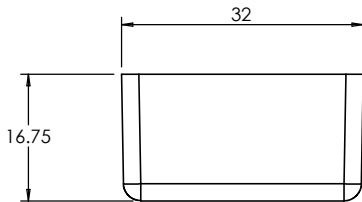
SECTION A-A



SECTION C-C



LID



<p>JAMES CARTER RD, MILDENHALL, SUFFOLK. IP28 7DE TEL: 01638 716101 FAX: 01638 716554 EMAIL: Sales@CamdenBoss.com WEB: www.CamdenBoss.com</p>				UNLESS OTHERWISE SPECIFIED: DIMENSIONS ARE IN MILLIMETERS		DO NOT SCALE DRAWING		REVISION. 0		
				FINISH. LIGHT SPARK		TITLE: ASSEMBLY DRG FOR RX2007				
DRAWN S.HARDINGE		SIGNED SJH		DATE 28/11/05		MATERIAL. ABS		DWG NO. RX2007		A4
CHK'D -		-		-		PROJECTION. 		SCALE. 1:1		SHEET 1 OF 1