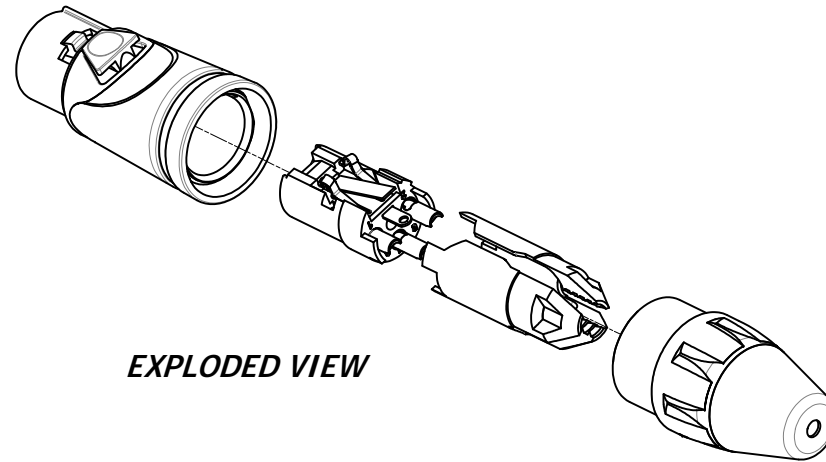
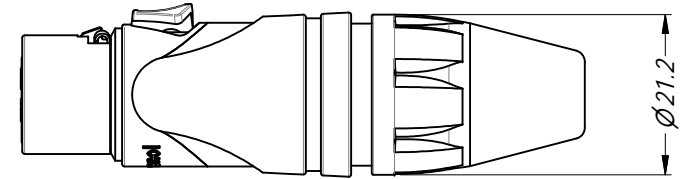
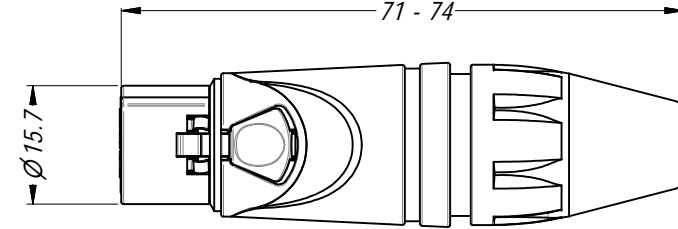
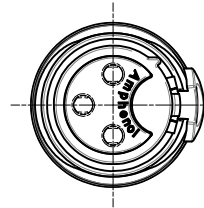


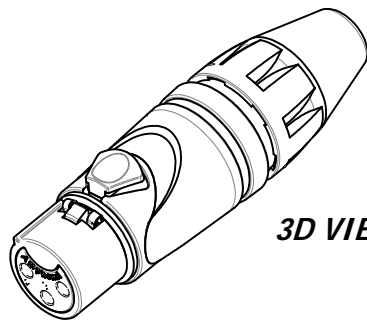
PART NUMBER BREAKDOWN

AX3FB1-AU BULK

<p>SERIES PREFIX AX3F = 3 SOCKET FEMALE AX4F = 4 SOCKET FEMALE AX5F = 5 SOCKET FEMALE</p>
<p>SHELL FINISH BLANK = NICKEL PLATED B = BLACK</p>
<p>SLEEVE COLOR BLANK = BLACK 1 = BROWN 2 = RED 3 = ORANGE 4 = YELLOW 5 = GREEN 6 = BLUE 7 = VIOLET 8 = GREY 9 = WHITE C = CLEAR</p>
<p>CONTACT PLATING BLANK = STANDARD AU = GOLD PLATE</p>
<p>PACKAGING BLANK = INDIVIDUAL BAGS BULK = BULK PACKED</p>



EXPLODED VIEW



3D VIEW

<p>UNLESS OTHERWISE SPECIFIED TOLERANCE TO BE</p> <table border="1"> <thead> <tr> <th>LINEAR</th> <th>ANGULAR</th> </tr> </thead> <tbody> <tr> <td>X ± 0.5</td> <td>X° ± 1</td> </tr> <tr> <td>X.X ± 0.1</td> <td>X.X° ± 30'</td> </tr> <tr> <td>X.XX ± 0.05</td> <td>X.XX° ± 15'</td> </tr> </tbody> </table>		LINEAR	ANGULAR	X ± 0.5	X° ± 1	X.X ± 0.1	X.X° ± 30'	X.XX ± 0.05	X.XX° ± 15'	<p>THIS DOCUMENT IS THE PROPERTY OF AMPHENOL AUSTRALIA PTY. LTD. NO PART THEREOF MAY BE REPRODUCED AND USED WITHOUT THE PRIOR WRITTEN CONSENT OF THE OWNER</p>		<p>Amphenol Amphenol Australia Pty.Ltd, 2 Fiveways Blvd, Keysborough, VIC 3173</p>	
LINEAR	ANGULAR												
X ± 0.5	X° ± 1												
X.X ± 0.1	X.X° ± 30'												
X.XX ± 0.05	X.XX° ± 15'												
<p>BREAK ALL SHARP EDGES AND REMOVE ALL BURRS</p>		<p>MATERIAL: SEE COMPONENTS</p>		<p>DRN: T.N DATE: 25/06/08 CKD: P.M DATE: 22/12/08</p>									
<p>DO NOT SCALE</p>		<p>FINISH:</p>		<p>APP'D: P.M DATE: 22/12/08</p>									
<p>DIMENSIONS IN MILLIMETRES</p>		<p>THIRD ANGLE PROJECTION</p>		<p>SCALE: 1:1 SIZE: A4</p>									
<p>TITLE: XLR FEMALE PLUG AX SERIES CUSTOMER DRAWING</p>				<p>PART No: SEE P/No BREAKDOWN</p>									
<p>DRAWING NO. 55010535-000-2</p>				<p>SHEET 2/2</p>									
<p>CAD FILE: 5501535000210</p>													