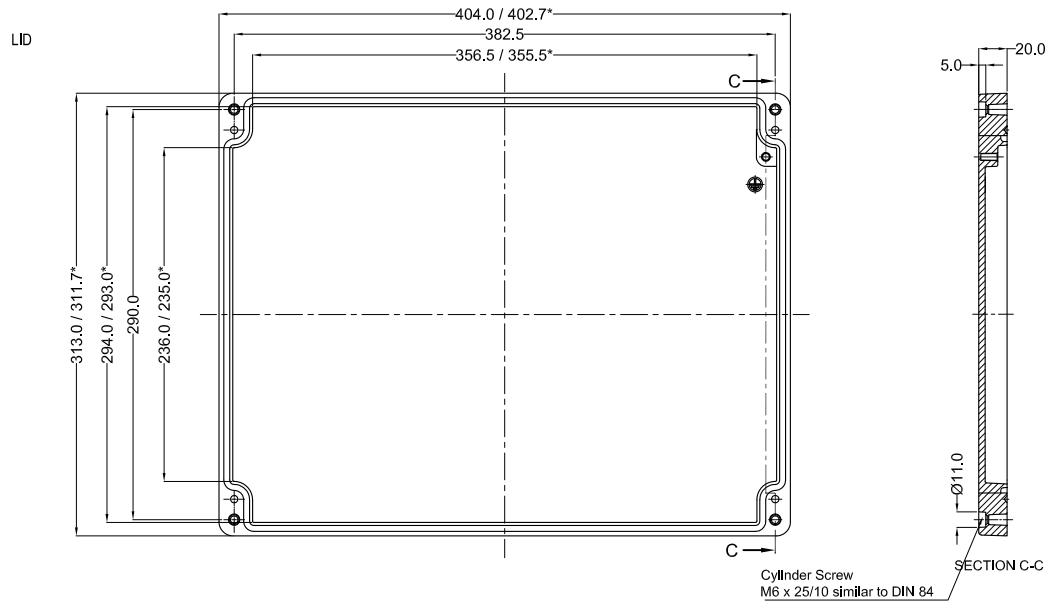
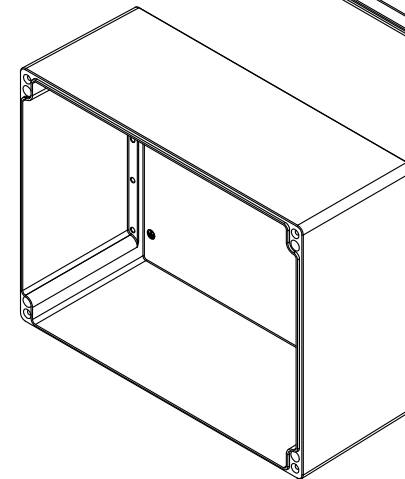
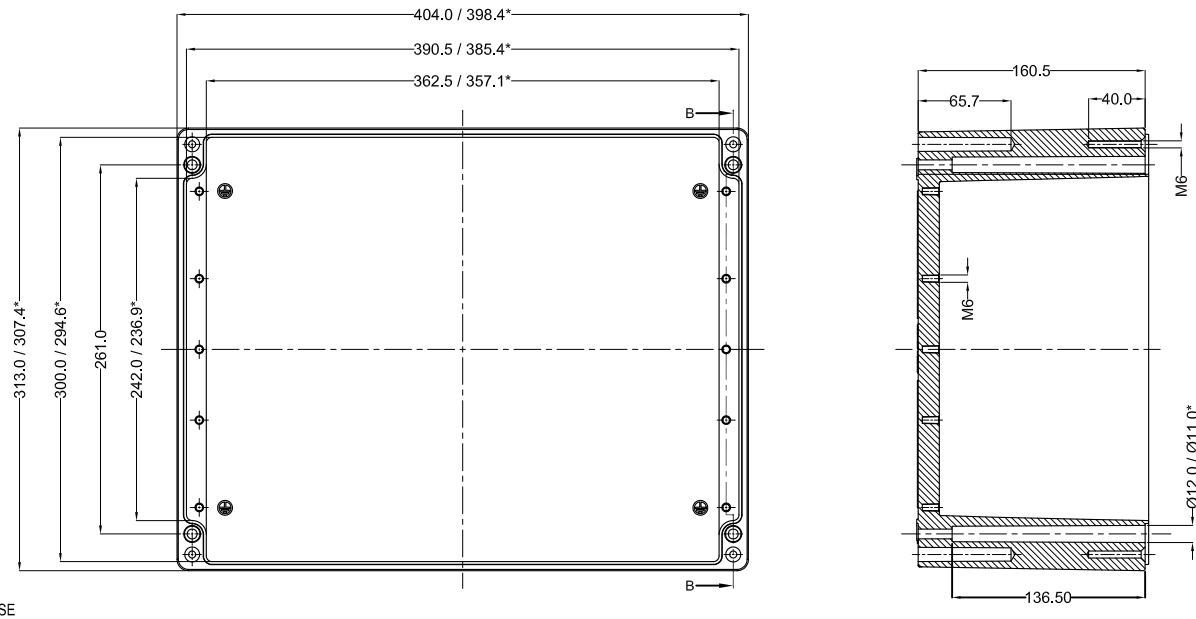
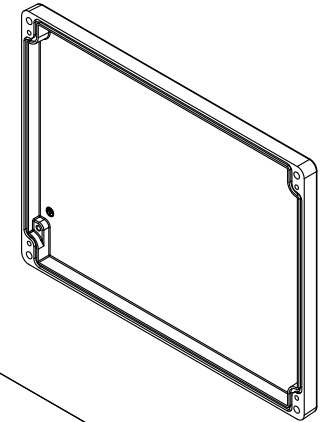


\* = Conical form tapering downward.  
 Untoleranced dimensions per GTA 13/5 DIN 1688



OPTIONAL ACCESSORIES		
PART NAME	QTY.	AVILABILITY
MOUNTING PLATE	1	Y
EXTERNAL HINGE	2	Y
INTERNAL HINGE	2	Y
MOUNTING BRACKETS	4	Y
NEOPRENE/SILICON GASKET	1	Y
DIN RAIL TS15	-	N
DIN RAIL TS35	1	Y



QUANTITY	MATERIAL :- <b>Alsi 12</b> <b>Din230</b>	MACH.NAME	DATE	SIGN	NAME	
			15/01/14		RRPL DESIGN	
			15/01/14		MANOJ DRAWN	
		TITLE :- JUNCTION BOX 400 x 310 x 180	15/01/14		PAVAN CHECKED	
			15/01/14		S . D . APPROVED	
TOLERANCE			SCALE			
±0.2	DIMENSIONS	WEIGHT :				
±0.2	HOLES	FINISH : NATURAL				
±1.0°	ANGLES	ALL DIMINION ARE IN MM				
		Rd - 32				